



Magnet switch Contact block 25 x 88 mm, for door hinge on the left Contact elements: Safety contacts 2 NC with M8 connector, 4-pole with combi connection Screw/latching connection with LED, the matching solenoid 3SE6714-2CA or offset by 90° 3SE6724-2CA

<b>product brand name</b>	SIRIUS
<b>product designation</b>	Magnetically operated switch
<b>design of the product</b>	Rectangular sensor unit
<b>product type designation</b>	3SE66
<b>suitability for use safety-related circuits</b>	Yes

### General technical data

<b>product function</b>	
• positive opening	No
• control function for downstream devices	No
• cross-circuit/short-circuit recognition	Yes
<b>type of voltage of the operating voltage</b>	DC
<b>protection class IP</b>	IP67
<b>shock resistance according to IEC 60068-2-27</b>	Sinusoidal half-wave 30g / 11 ms
<b>vibration resistance according to IEC 60068-2-6</b>	10 ... 55 Hz: 1 mm
<b>reference code according to IEC 81346-2</b>	S
<b>Substance Prohibitance (Date)</b>	07/01/2006
<b>height of the sensor</b>	25 mm
<b>length of the sensor</b>	13 mm
<b>width of the sensor</b>	88 mm
<b>material of the active sensor area</b>	Plastic, glass-fiber reinforced thermoplastic
<b>mechanical installation condition for sensor</b>	can be installed almost flush

### Ambient conditions

<b>ambient temperature during operation</b>	-25 ... +70 °C
---------------------------------------------	----------------

### Control circuit/ Control

<b>type of voltage</b>	DC
<b>operating voltage rated value</b>	24 V
<b>operational current rated value</b>	10 mA
<b>operating power rated value</b>	0.24 W
<b>number of NC contacts for auxiliary contacts</b>	2
<b>number of NC contacts safety-related</b>	2
<b>number of NO contacts for auxiliary contacts</b>	0
<b>number of NO contacts safety-related</b>	0

### Enclosure

<b>material of the enclosure</b>	Plastic, glass-fiber reinforced thermoplastic
<b>opening direction of the door</b>	left

### Actuator

<b>design of the actuating element</b>	magnet
----------------------------------------	--------

### Display

<b>evaluation unit required</b>	yes
---------------------------------	-----

### Contact

switching frequency	5 Hz
assured operating distance OFF	17 mm
assured operating distance ON	7 mm
design of the switching function	NC contact
number of switching contacts for signaling function	0
• safety-related	0

#### Installation/ mounting/ dimensions

fastening method	screw fixing
------------------	--------------

#### Connections/ Terminals

type of electrical connection	M8 connector, 4-pole
-------------------------------	----------------------

#### Inputs/ Outputs

number of semiconductor outputs	
• for signaling function	0
• safety-related	0
number of outputs as contact-affected switching element	
• as NC contact	
— safety-related instantaneous contact	2
• as NO contact safety-related instantaneous contact	0

#### Safety related data

B10 value with high demand rate according to SN 31920	12 500 000
Safety Integrity Level (SIL) according to IEC 61508	3
performance level (PL) according to EN ISO 13849-1	e
proportion of dangerous failures	
• with high demand rate according to SN 31920	50 %
T1 value for proof test interval or service life according to IEC 61508	20 a
category according to EN 954-1	4

#### Certificates/ approvals

General Product Approval	EMC	Functional Safety/Safety of Machinery
--------------------------	-----	---------------------------------------

[Confirmation](#)



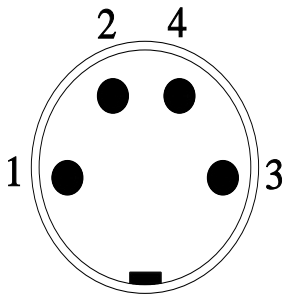
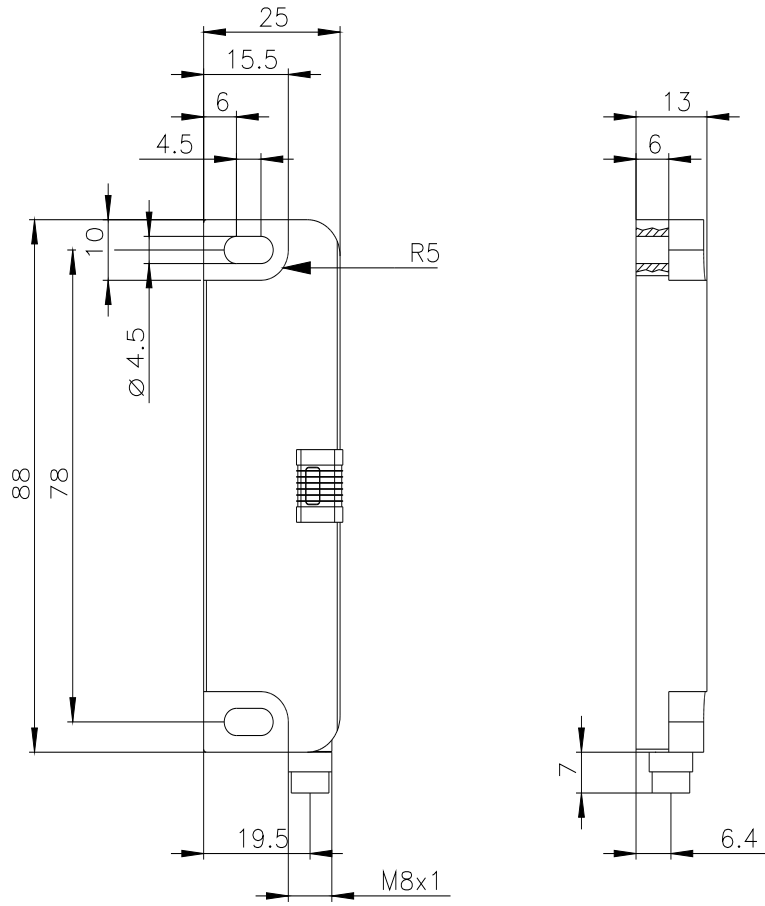
[Miscellaneous](#)

#### Declaration of Conformity

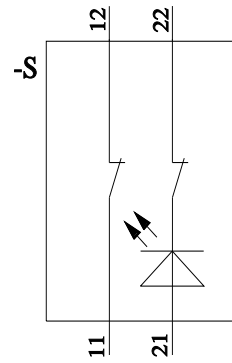
 EG-Konf.		<a href="#">Confirmation</a>
--------------	--	------------------------------

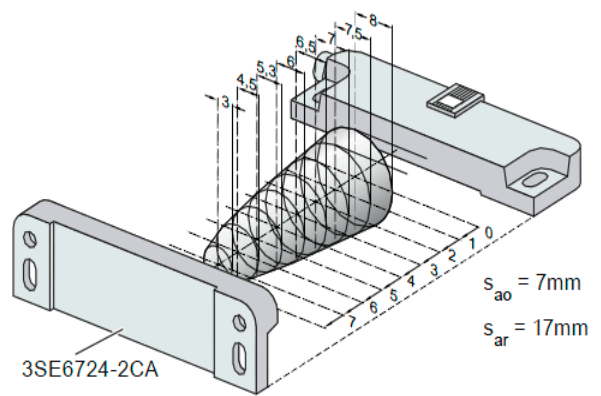
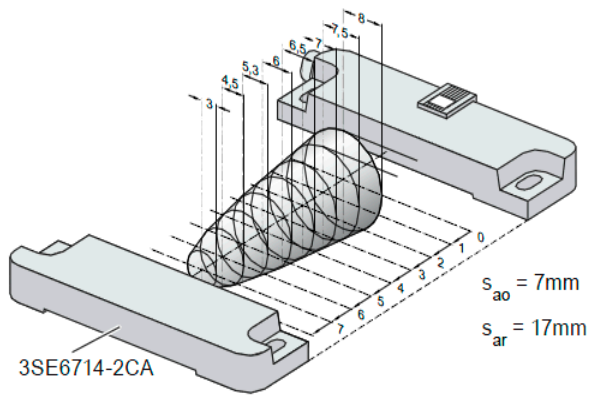
#### Further information

Information on the packaging  
<https://support.industry.siemens.com/cs/ww/en/view/109813875>  
 Information- and Downloadcenter (Catalogs, Brochures,...)  
<https://www.siemens.com/ic10>  
 Industry Mall (Online ordering system)  
<https://mall.industry.siemens.com/mall/en/en/Catalog/product?mlfb=3SE6614-4CA01>  
 Cax online generator  
<http://support.automation.siemens.com/WW/CAXorder/default.aspx?lang=en&mlfb=3SE6614-4CA01>  
 Service&Support (Manuals, Certificates, Characteristics, FAQs,...)  
<https://support.industry.siemens.com/cs/ww/en/ps/3SE6614-4CA01>  
 Image database (product images, 2D dimension drawings, 3D models, device circuit diagrams, EPLAN macros, ...)  
[http://www.automation.siemens.com/bilddb/cax\\_de.aspx?mlfb=3SE6614-4CA01&lang=en](http://www.automation.siemens.com/bilddb/cax_de.aspx?mlfb=3SE6614-4CA01&lang=en)



<b>PIN 1</b>	→	<b>21(+)</b>
<b>PIN 2</b>	→	<b>22(-)</b>
<b>PIN 3</b>	→	<b>11</b>
<b>PIN 4</b>	→	<b>12</b>





last modified:

10/6/2021 