



power relay, AC-3e/AC-3, 8.4 A, 4 kW / 400 V, 3-pole, 24 V DC, auxiliary contacts: 1 NC, flat connector 6.3 x 0.8 mm

consumed active power
 reference code according to IEC 81346-2
Substance Prohibitance (Date)
 ambient temperature during operation
number of poles
number of NO contacts for main contacts
number of NC contacts for main contacts
type of voltage
operational current

- at AC-1 at 400 V rated value
- at AC-3 at 400 V rated value
- at AC-3e at 400 V rated value

operating power

- at AC-3 at 400 V rated value
- at AC-3e at 400 V rated value

control supply voltage at DC rated value
number of NC contacts for auxiliary contacts
number of NO contacts for auxiliary contacts
 number of CO contacts for auxiliary contacts
fastening method

- side-by-side mounting

height
width
depth
type of electrical connection

- for main current circuit
- for auxiliary and control circuit

4 W
 K
 07/01/2006
 -25 ... +55 °C
 4
 3
 0
 DC
 16 A
 8.4 A
 6.4 A
 4 kW
 3 W
 24 ... 24 V
 1
 0
 0
 screw and snap-on mounting onto 35 mm DIN rail
 Yes
 62 mm
 36 mm
 61 mm
 tab terminals
 tab terminals

Safety related data

protection class IP on the front according to IEC 60529 IP00

Certificates/ approvals

General Product Approval

Declaration of Conformity



[Confirmation](#)



CSA

CCC

UL

EG-Konf.

Declaration of Conformity

Test Certificates

other

Further information

Information on the packaging

<https://support.industry.siemens.com/cs/ww/en/view/109813875>

Information- and Downloadcenter (Catalogs, Brochures,...)

<https://www.siemens.com/ic10>

Industry Mall (Online ordering system)

<https://mall.industry.siemens.com/mall/en/en/Catalog/product?mlfb=3TG1001-1BB4>

Cax online generator

<http://support.automation.siemens.com/WW/CAXorder/default.aspx?lang=en&mlfb=3TG1001-1BB4>

Service&Support (Manuals, Certificates, Characteristics, FAQs,...)

<https://support.industry.siemens.com/cs/ww/en/ps/3TG1001-1BB4>

Image database (product images, 2D dimension drawings, 3D models, device circuit diagrams, EPLAN macros, ...)

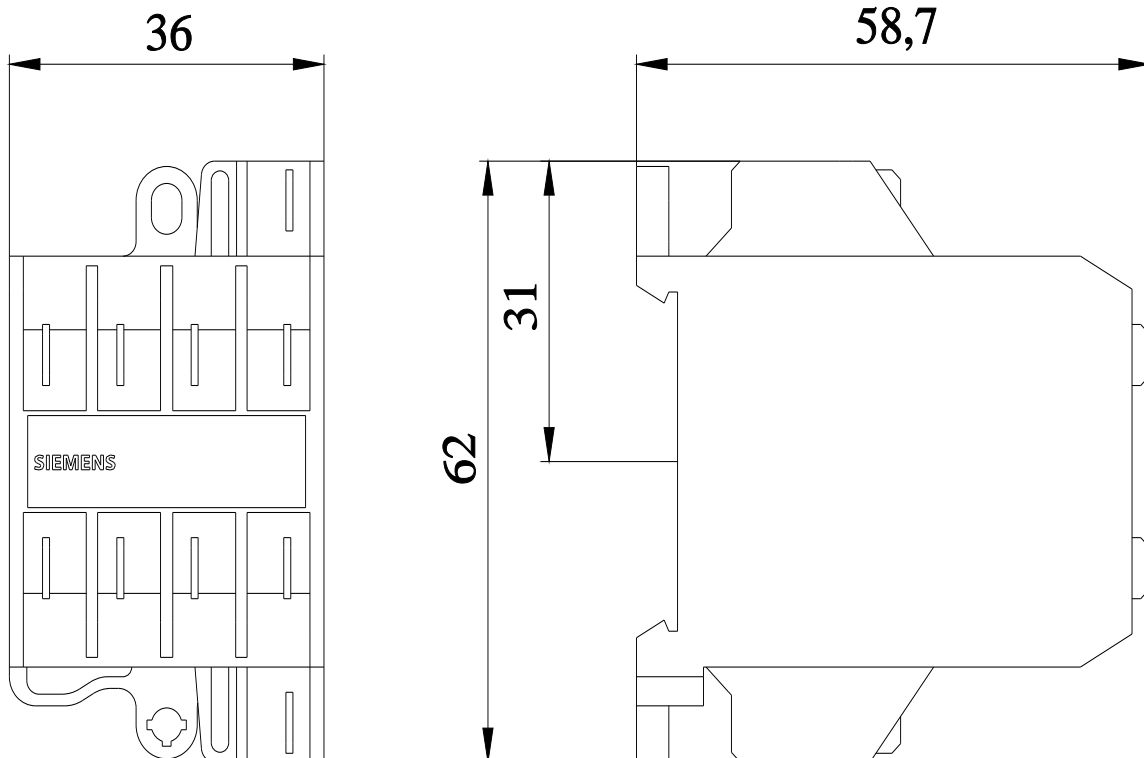
http://www.automation.siemens.com/bilddb/cax_de.aspx?mlfb=3TG1001-1BB4&lang=en

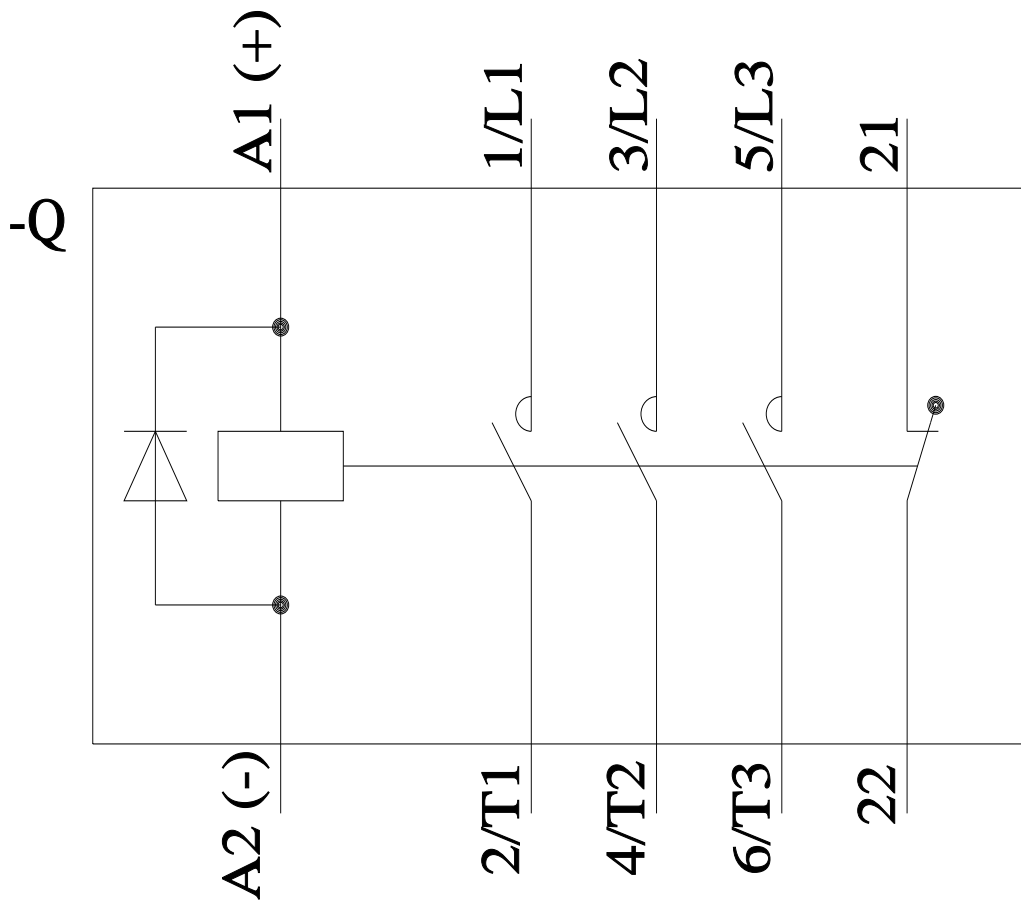
Characteristic: Tripping characteristics, I^t, Let-through current

<https://support.industry.siemens.com/cs/ww/en/ps/3TG1001-1BB4/char>

Further characteristics (e.g. electrical endurance, switching frequency)

<http://www.automation.siemens.com/bilddb/index.aspx?view=Search&mlfb=3TG1001-1BB4&objecttype=14&gridview=view1>





last modified:

11/21/2022 