



Figure similar

Power relay, AC-3 8.4 A, 4 kW / 400 V 4 NO, 24 V AC, 45...450 Hz 3 pole, screw terminal

<b>consumed active power</b>	4 W
<b>reference code according to IEC 81346-2</b>	K
<b>Substance Prohibitance (Date)</b>	07/01/2006
<b>ambient temperature during operation</b>	-25 ... +55 °C
<b>number of poles</b>	4
<b>number of NO contacts for main contacts</b>	3
<b>number of NC contacts for main contacts</b>	0
<b>type of voltage</b>	AC
<b>operational current</b>	
• at AC-1 at 400 V rated value	20 A
• at AC-3 at 400 V rated value	8.4 A
• at AC-3e at 400 V rated value	6.4 A
<b>operating power</b>	
• at AC-3 at 400 V rated value	4 kW
• at AC-3e at 400 V rated value	3 W
<b>control supply voltage at AC</b>	
• at 50 Hz rated value	24 ... 24 V
• at 60 Hz rated value	24 ... 24 V
<b>supply voltage frequency for auxiliary and control circuit rated value</b>	45 ... 450 Hz
<b>number of NC contacts for auxiliary contacts</b>	0
<b>number of NO contacts for auxiliary contacts</b>	1
<b>number of CO contacts for auxiliary contacts</b>	0
<b>fastening method</b>	screw and snap-on mounting onto 35 mm DIN rail
• side-by-side mounting	Yes
<b>height</b>	62 mm
<b>width</b>	36 mm
<b>depth</b>	60 mm
<b>type of electrical connection</b>	
• for main current circuit	screw-type terminals
• for auxiliary and control circuit	screw-type terminals

**Safety related data**

<b>protection class IP on the front according to IEC 60529</b>	IP00
--	------

**Certificates/ approvals**

<b>General Product Approval</b>	<b>Declaration of Conformity</b>
---------------------------------	----------------------------------



[Confirmation](#)



EG-Konf.

Declaration of Conformity	Test Certificates	other
---------------------------	-------------------	-------



[Special Test Certificate](#)

[Type Test Certificates/Test Report](#)

[Confirmation](#)

### Further information

Information- and Downloadcenter (Catalogs, Brochures,...)

<https://www.siemens.com/ic10>

Industry Mall (Online ordering system)

<https://mall.industry.siemens.com/mall/en/en/Catalog/product?mlfb=3TG1010-0AC2>

Cax online generator

<http://support.automation.siemens.com/WW/CAXorder/default.aspx?lang=en&mlfb=3TG1010-0AC2>

Service&Support (Manuals, Certificates, Characteristics, FAQs,...)

<https://support.industry.siemens.com/cs/ww/en/ps/3TG1010-0AC2>

Image database (product images, 2D dimension drawings, 3D models, device circuit diagrams, EPLAN macros, ...)

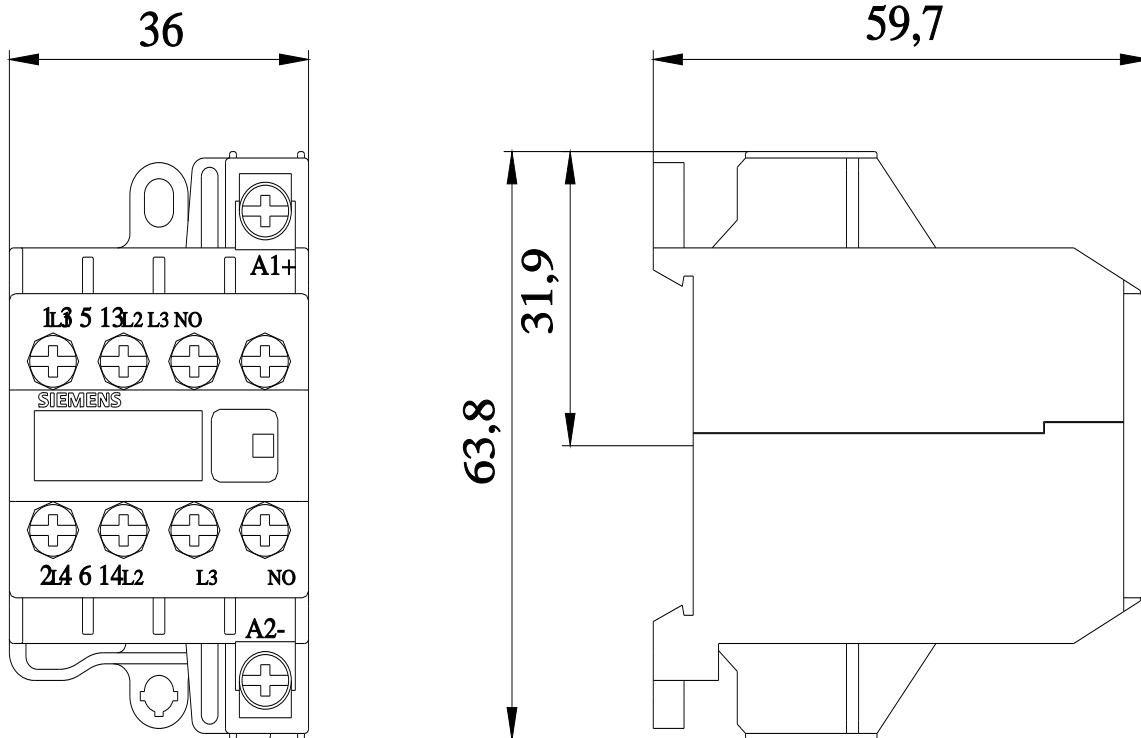
[http://www.automation.siemens.com/bilddb/cax\\_de.aspx?mlfb=3TG1010-0AC2&lang=en](http://www.automation.siemens.com/bilddb/cax_de.aspx?mlfb=3TG1010-0AC2&lang=en)

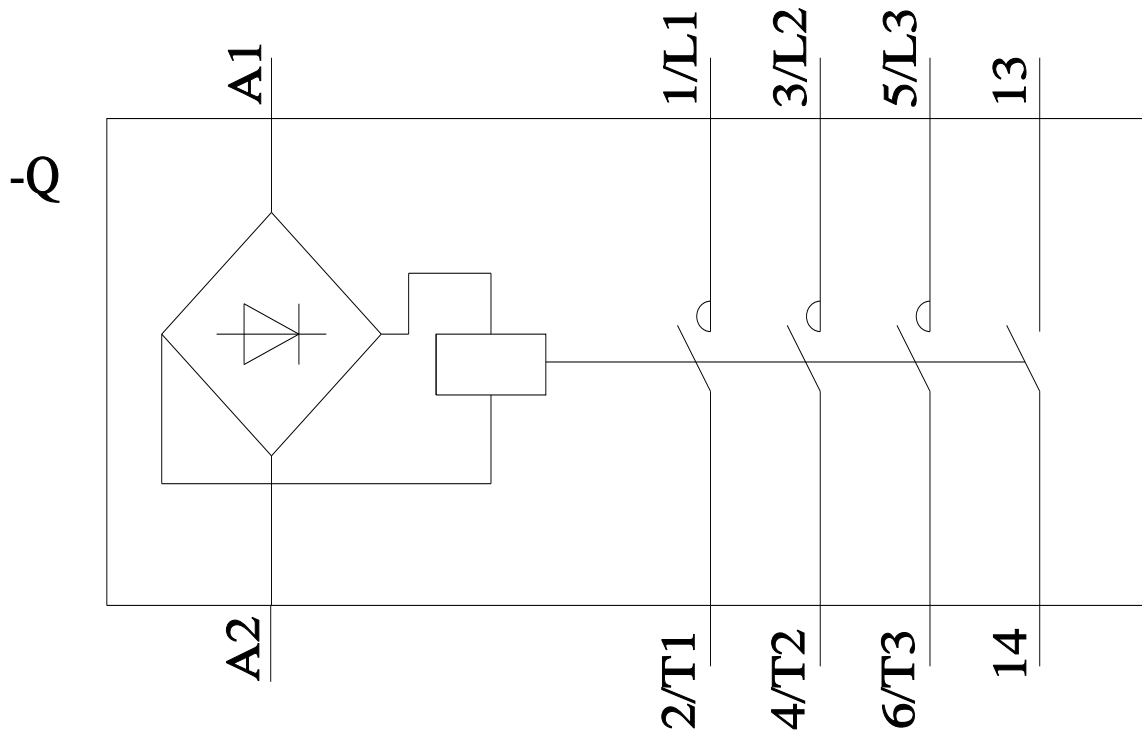
Characteristic: Tripping characteristics, I<sub>t</sub>, Let-through current

<https://support.industry.siemens.com/cs/ww/en/ps/3TG1010-0AC2/char>

Further characteristics (e.g. electrical endurance, switching frequency)

<http://www.automation.siemens.com/bilddb/index.aspx?view=Search&mlfb=3TG1010-0AC2&objecttype=14&gridview=view1>





last modified:

11/21/2022 