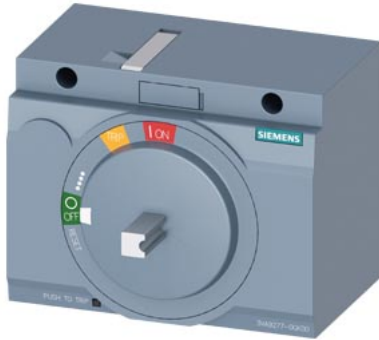


rotary operator with shaft stub for 8UC retrofit accessory for: 3VA6 150/250
3VA5 250



Model	
product brand name	SETRON
product designation	Accessories
design of the product	Rotary operating mechanisms with shaft stub
accessories	Rotary operator with shaft stub
Mechanical Design	
height	82 mm
width	105 mm
Further information	

Information- and Downloadcenter (Catalogs, Brochures,...)

<http://www.siemens.com/lowvoltage/catalogs>

Industry Mall (Online ordering system)

<https://mall.industry.siemens.com/mall/en/en/Catalog/product?mlfb=3VA9277-0GK00>

Service&Support (Manuals, Certificates, Characteristics, FAQs,...)

<https://support.industry.siemens.com/cs/ww/en/ps/3VA9277-0GK00>

Image database (product images, 2D dimension drawings, 3D models, device circuit diagrams, ...)

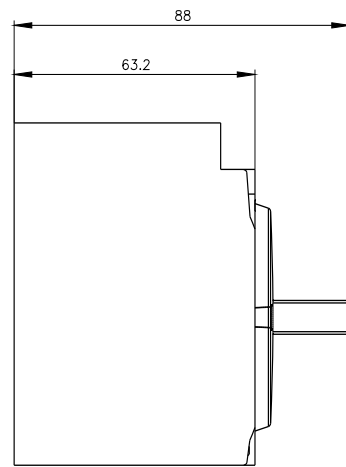
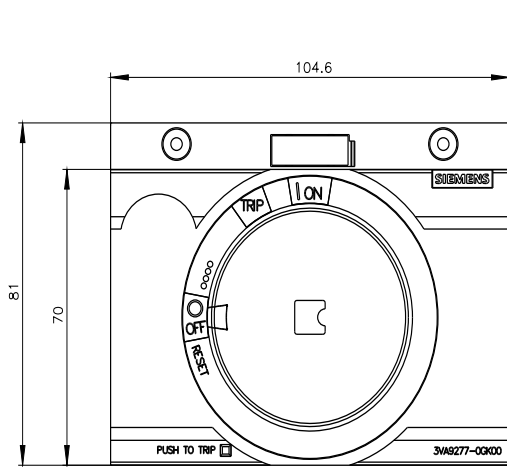
http://www.automation.siemens.com/bilddb/cax_en.aspx?mlfb=3VA9277-0GK00

CAX-Online-Generator

<http://www.siemens.com/cax>

Tender specifications

<http://www.siemens.com/specifications>



last modified:

12/20/2020 

