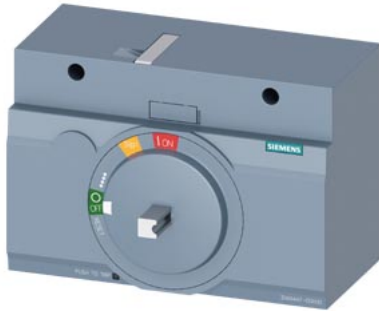


ROTARY OPERATOR WITH SHAFT STUB WITHOUT HANDLE FOR
RETROFIT 8UC ACCESSORY FOR: 3VA5/6 400/600



Model	
product brand name	SETRON
product designation	Accessories
design of the product	Rotary operating mechanisms with shaft stub
accessories	Rotary operator with shaft stub
Mechanical Design	
height	94 mm
width	138 mm
Further information	

Information- and Downloadcenter (Catalogs, Brochures,...)

<http://www.siemens.com/lowvoltage/catalogs>

Industry Mall (Online ordering system)

<https://mall.industry.siemens.com/mall/en/en/Catalog/product?mlfb=3VA9447-0GK00>

Service&Support (Manuals, Certificates, Characteristics, FAQs,...)

<https://support.industry.siemens.com/cs/ww/en/ps/3VA9447-0GK00>

Image database (product images, 2D dimension drawings, 3D models, device circuit diagrams, ...)

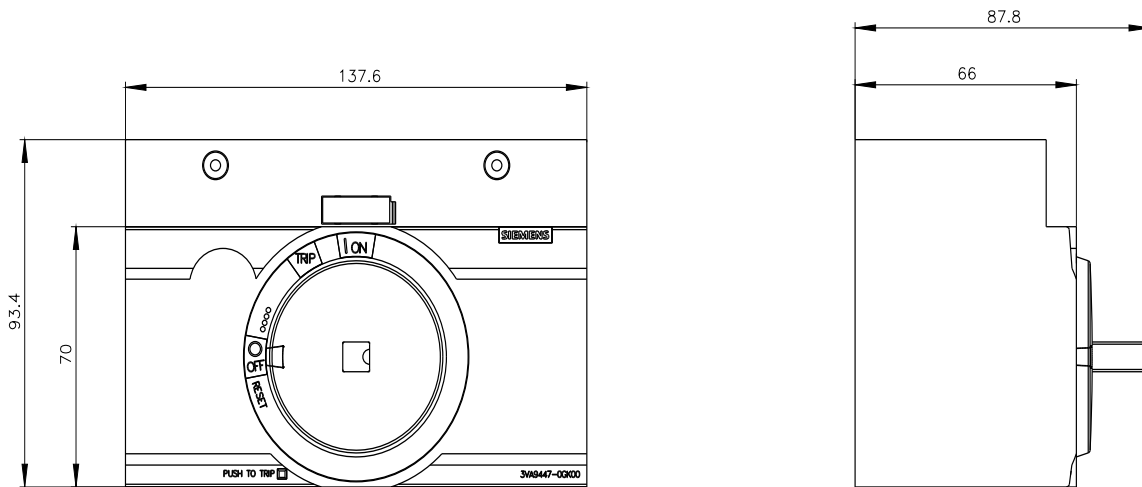
http://www.automation.siemens.com/bilddb/cax_en.aspx?mlfb=3VA9447-0GK00

CAX-Online-Generator

<http://www.siemens.com/cax>

Tender specifications

<http://www.siemens.com/specifications>



last modified:

12/20/2020 

