



Push-in lugs for wall mounting of SIRIUS devices in industrial standard mounting rail enclosure

product brand name	SIRIUS
product category	Further accessories
product designation	Push-in lugs for wall mounting
design of the product	Two lugs are required per device
Substance Prohibitance (Date)	03/01/2017

#### Further information

Information- and Downloadcenter (Catalogs, Brochures,...)

<https://www.siemens.com/ic10>

Industry Mall (Online ordering system)

<https://mall.industry.siemens.com/mall/en/en/Catalog/product?mlfb=3ZY1311-0AA00>

Cax online generator

<http://support.automation.siemens.com/WW/CAXorder/default.aspx?lang=en&mlfb=3ZY1311-0AA00>

Service&Support (Manuals, Certificates, Characteristics, FAQs,...)

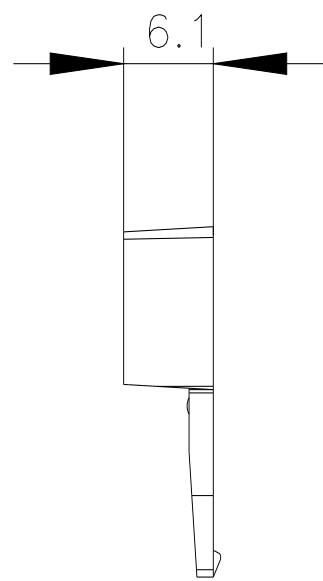
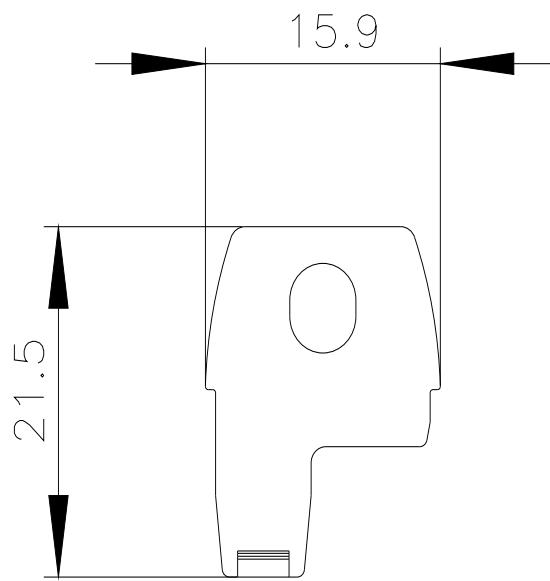
<https://support.industry.siemens.com/cs/ww/en/ps/3ZY1311-0AA00>

Image database (product images, 2D dimension drawings, 3D models, device circuit diagrams, EPLAN macros, ...)

[http://www.automation.siemens.com/bilddb/cax\\_de.aspx?mlfb=3ZY1311-0AA00&lang=en](http://www.automation.siemens.com/bilddb/cax_de.aspx?mlfb=3ZY1311-0AA00&lang=en)

Characteristic: Derating

<https://support.industry.siemens.com/cs/ww/en/ps/3ZY1311-0AA00/manual>



last modified:

12/23/2020 