



Non-reversing NEMA contactor, Size 1, Three phase full voltage, Contactor amp rating 27A, 3 wire (NO aux included), 110V 50Hz / 120V 60Hz coil, Non-combination type, Enclosure NEMA type (open), No enclosure

| | |
|---|--|
| product brand name | Class 40 |
| design of the product | Non-reversing contactor |
| special product feature | Gravity dropout contacts; 45 degree, wedge action contacts; Self-rising pressure type control terminals; Encapsulated coil |
| General technical data | |
| weight [lb] | 3 lb |
| Height x Width x Depth [in] | 4.5 × 5.75 × 3.89 in |
| touch protection against electrical shock | Not finger-safe |
| installation altitude [ft] at height above sea level maximum | 6560 ft |
| ambient temperature [°F] | |
| • during storage | -22 ... +149 °F |
| • during operation | -4 ... +104 °F |
| ambient temperature | |
| • during storage | -30 ... +65 °C |
| • during operation | -20 ... +40 °C |
| country of origin | Mexico |
| Horsepower ratings | |
| yielded mechanical performance [hp] for 3-phase AC motor | |
| • at 200/208 V rated value | 7.5 hp |
| • at 220/230 V rated value | 7.5 hp |
| • at 460/480 V rated value | 10 hp |
| • at 575/600 V rated value | 10 hp |
| Contactors | |
| size of contactor | NEMA controller size 1 |
| number of NO contacts for main contacts | 3 |
| operating voltage for main current circuit at AC at 60 Hz maximum | 600 V |
| operational current at AC at 600 V rated value | 27 A |
| mechanical service life (operating cycles) of the main contacts typical | 10000000 |
| Auxiliary contact | |
| number of NC contacts at contactor for auxiliary contacts | 0 |
| number of NO contacts at contactor for auxiliary contacts | 1 |
| number of total auxiliary contacts maximum | 8 |
| contact rating of auxiliary contacts of contactor according to UL | 10A@600VAC (A600), 5A@600VDC (P600) |
| Coil | |
| type of voltage of the control supply voltage | AC |
| control supply voltage | |
| • at AC at 50 Hz rated value | 110 V |
| • at AC at 60 Hz rated value | 120 V |
| holding power at AC minimum | 8.6 W |

| | |
|--|--------------|
| apparent pick-up power of magnet coil at AC | 218 VA |
| apparent holding power of magnet coil at AC | 25 VA |
| operating range factor control supply voltage rated value of magnet coil | 0.85 ... 1.1 |
| percentual drop-out voltage of magnet coil related to the input voltage | 50 % |
| ON-delay time | 19 ... 29 ms |
| OFF-delay time | 10 ... 24 ms |

Enclosure

| | |
|---|----------------------------|
| degree of protection NEMA rating of the enclosure | Open device (no enclosure) |
| design of the housing | NA |

Mounting/wiring

| | |
|--|---|
| mounting position | Vertical |
| fastening method | Surface mounting and installation |
| type of electrical connection for supply voltage line-side | Screw-type terminals |
| tightening torque [lbf-in] for supply | 35 ... 35 lbf-in |
| type of connectable conductor cross-sections at line-side for AWG cables single or multi-stranded | 1x (14 ... 2 AWG) |
| temperature of the conductor for supply maximum permissible | 75 °C |
| material of the conductor for supply | AL or CU |
| type of electrical connection for load-side outgoing feeder | Screw-type terminals |
| tightening torque [lbf-in] for load-side outgoing feeder | 35 ... 35 lbf-in |
| type of connectable conductor cross-sections for AWG cables for load-side outgoing feeder single or multi-stranded | 1x (14 ... 2 AWG) |
| temperature of the conductor for load-side outgoing feeder maximum permissible | 75 °C |
| material of the conductor for load-side outgoing feeder | AL or CU |
| type of electrical connection of magnet coil | Screw-type terminals |
| tightening torque [lbf-in] at magnet coil | 5 ... 12 lbf-in |
| type of connectable conductor cross-sections of magnet coil for AWG cables single or multi-stranded | 2x (16 ... 12 AWG) |
| temperature of the conductor at magnet coil maximum permissible | 75 °C |
| material of the conductor at magnet coil | CU |
| type of electrical connection at contactor for auxiliary contacts | Screw-type terminals |
| tightening torque [lbf-in] at contactor for auxiliary contacts | 10 ... 15 lbf-in |
| type of connectable conductor cross-sections at contactor for AWG cables for auxiliary contacts single or multi-stranded | 1x (12 AWG), 2x (16 ... 14 AWG), 2x (18 ... 16 AWG) |
| temperature of the conductor at contactor for auxiliary contacts maximum permissible | 75 °C |
| material of the conductor at contactor for auxiliary contacts | CU |

Short-circuit current rating

| | |
|---|---|
| design of the fuse link for short-circuit protection of the main circuit required | 10kA@600V (Class H or K); 100kA@600V (Class R or J) |
| design of the short-circuit trip | Thermal magnetic circuit breaker |
| maximum short-circuit current breaking capacity (Icu) | |
| • at 240 V | 14 A |
| • at 480 V | 10 A |
| • at 600 V | 10 A |
| certificate of suitability | NEMA ICS 2; UL 508; CSA 22.2, No.14 |

Further information

Industrial Controls - Product Overview (Catalogs, Brochures,...)

www.usa.siemens.com/iccatalog

Industry Mall (Online ordering system)

<https://mall.industry.siemens.com/mall/en/us/Catalog/product?mlfb=US2:40DP32AF>

Service&Support (Manuals, Certificates, Characteristics, FAQs,...)

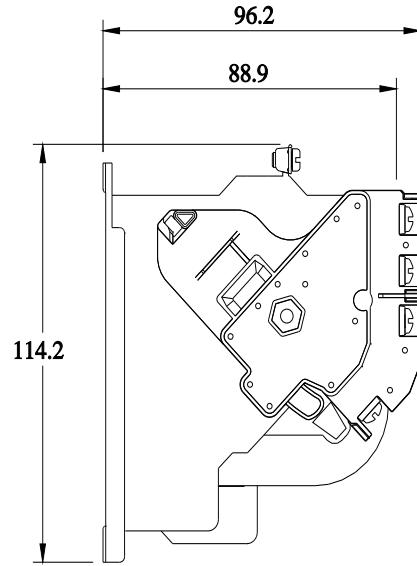
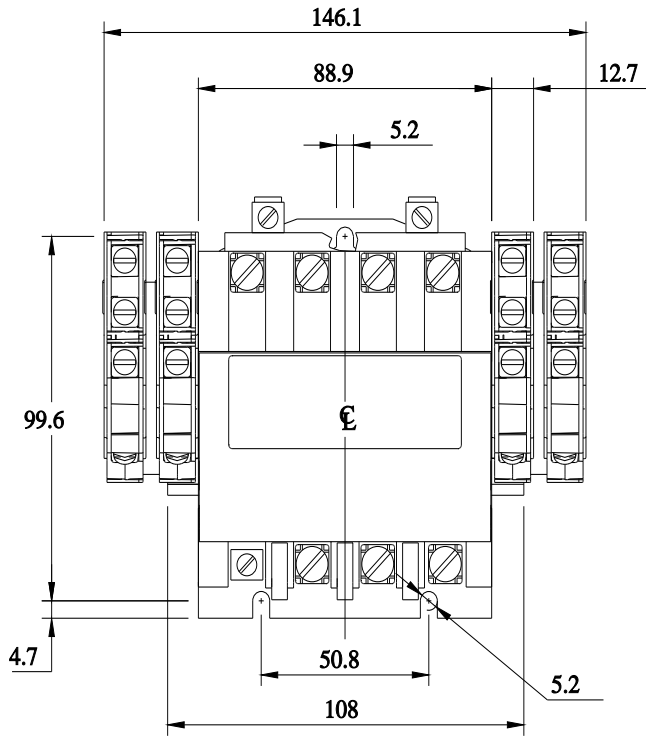
<https://support.industry.siemens.com/cs/US/en/ps/US2:40DP32AF>

Image database (product images, 2D dimension drawings, 3D models, device circuit diagrams, EPLAN macros, ...)

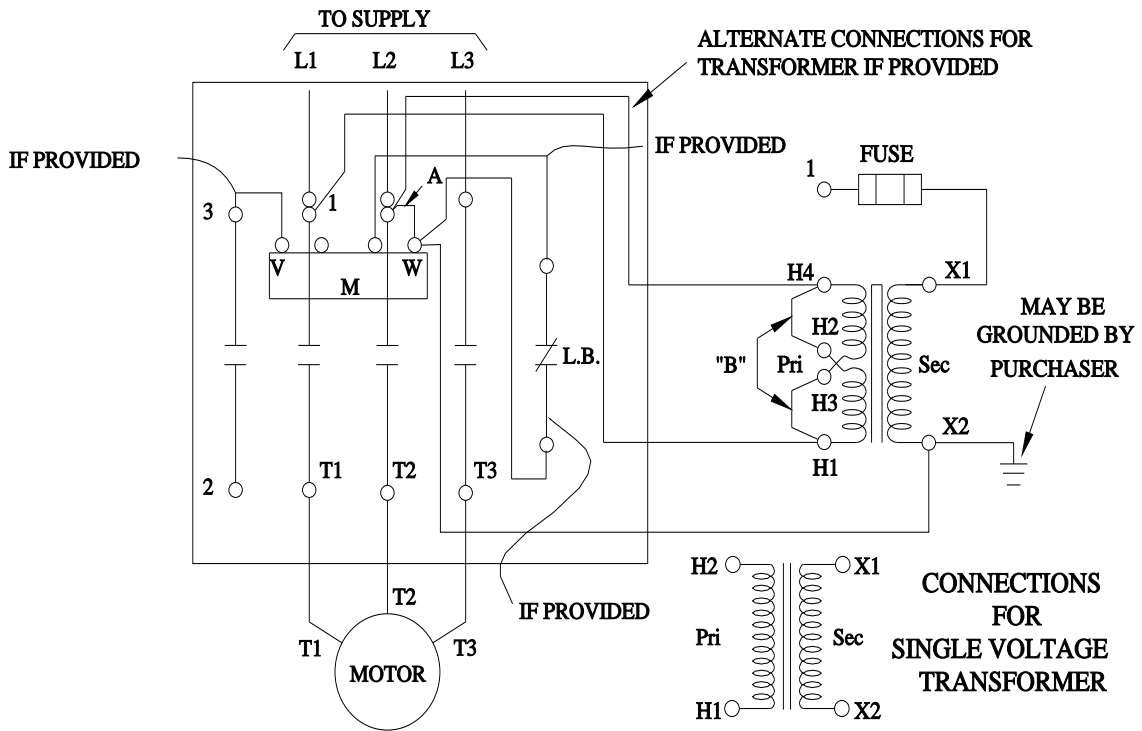
http://www.automation.siemens.com/bilddb/cax_de.aspx?mlfb=US2:40DP32AF&lang=en

Certificates/approvals

<https://support.industry.siemens.com/cs/US/en/ps/US2:40DP32AF/certificate>



WIRING DIAGRAM



D29223001

