

Figure similar

30mm Command/52, Chrome Finish Heavy Duty, Watertight/Oiltight Metal Operator, Round Twist-to-Release Operator Non-Illuminated Mushroom Head Cap Small 1.79" (45 mm) Plastic Cap, Red 2 Position Maintained, Twist-to-Release UL Listed, CSA Certified NEMA 1,3,3R,4,4X,12,13 & Automotive Standards

<b>design of the product</b>	Actuator round
<b>Enclosure</b>	
<b>number of command points</b>	1
delivery state as a kit	No
<b>Actuator</b>	
<b>material of the actuating element</b>	plastic
<b>type of unlocking device</b>	rotate-to-unlatch mechanism
<b>number of switching positions</b>	2
<b>Front ring</b>	
<b>product component front ring</b>	Yes
<b>design of the front ring</b>	standard
<b>material of the front ring</b>	metal
<b>color of the front ring</b>	chrome
<b>Holder</b>	
<b>material of the holder</b>	Metal
<b>General technical data</b>	
<b>product component</b>	No
• light source	
<b>degree of pollution</b>	1
<b>protection class IP</b>	IP66
<b>Ambient conditions</b>	
<b>ambient temperature</b>	
• during operation	-35 ... +70 °C
• during storage	-40 ... +85 °C
<b>Installation/ mounting/ dimensions</b>	
<b>shape of the installation opening</b>	round
<b>Certificates/ approvals</b>	
<b>Further information</b>	

Information- and Downloadcenter (Catalogs, Brochures,...)

<https://www.siemens.com/ic10>

Industry Mall (Online ordering system)

<https://mall.industry.siemens.com/mall/en/en/Catalog/product?mlfb=US2:52PR8W2>

Cax online generator

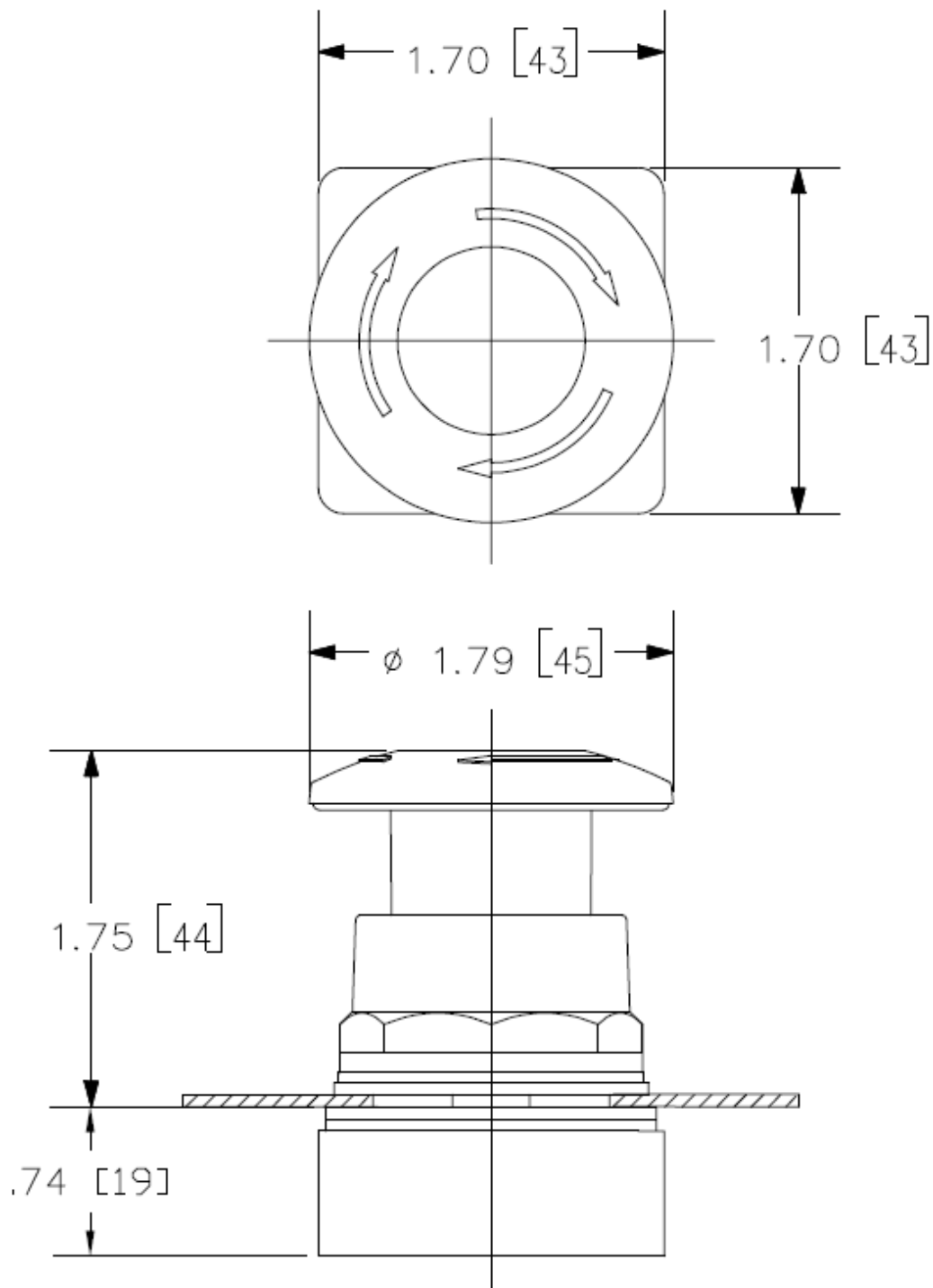
<http://support.automation.siemens.com/WW/CAXorder/default.aspx?lang=en&mlfb=US2:52PR8W2>

Service&Support (Manuals, Certificates, Characteristics, FAQs,...)

<https://support.industry.siemens.com/cs/ww/en/ps/US2:52PR8W2>

Image database (product images, 2D dimension drawings, 3D models, device circuit diagrams, EPLAN macros, ...)

[http://www.automation.siemens.com/bilddb/cax\\_de.aspx?mlfb=US2:52PR8W2&lang=en](http://www.automation.siemens.com/bilddb/cax_de.aspx?mlfb=US2:52PR8W2&lang=en)



last modified:

5/31/2021 