



Similar to image

Technical data:

| | | |
|---|-----|----------|
| Latching relay design | | others |
| Number of NC contacts | | 0 |
| Mounting height | mm | 90 |
| Mounting depth | mm | 70 |
| type of voltage | | AC |
| Type of mounting | | DIN rail |
| Type of voltage | | |
| • [nicht versorgt - der Steuerspannung_1] | | AC |
| • [nicht versorgt - der Steuerspannung_2] | | AC |
| Number of change-over switches | | 0 |
| Number of NO contacts | | 2 |
| Number of pitch units for width | | 1 |
| Product function / direct operation | | Yes |
| Breaking capacity current / nominal value | A | 16 |
| Switching capacity apparent power | | |
| • [nicht versorgt - bei Leuchtstofflampenlast Duo-Schaltung] | V·A | 1,484.8 |
| • [nicht versorgt - bei Leuchtstofflampenlast unkompenziert] | V·A | 928 |
| • [nicht versorgt - bei Leuchtstofflampenlast parallel kompenziert] | V·A | 1,392 |

| | | |
|---|----|-----|
| Switching capacity real power / for filament lamp load | W | 16 |
| Breaking capacity current / [nicht versorgt - bei cos phi 0,6] | A | 16 |
| Control voltage frequency | | |
| • _1 / initial value | Hz | 50 |
| • _1 / final value | Hz | 50 |
| • initial value | Hz | 50 |
| • _2 / final value | Hz | 50 |
| Control voltage/ _1 | | |
| • _1 / initial value | V | 230 |
| • final value | V | 253 |
| • final value | V | 253 |
| supply voltage | | |
| • minimum | V | 250 |
| • maximum | V | 250 |

Further information:

Information- and Downloadcenter (Catalogs, Brochures,...)

<http://www.siemens.com/lowvoltage/catalogs>

Global Industry Mall (Online ordering system)

<http://www.siemens.com/lowvoltage/mall>

Service&Support (Manuals, Certificates, Characteristics, FAQs,...)

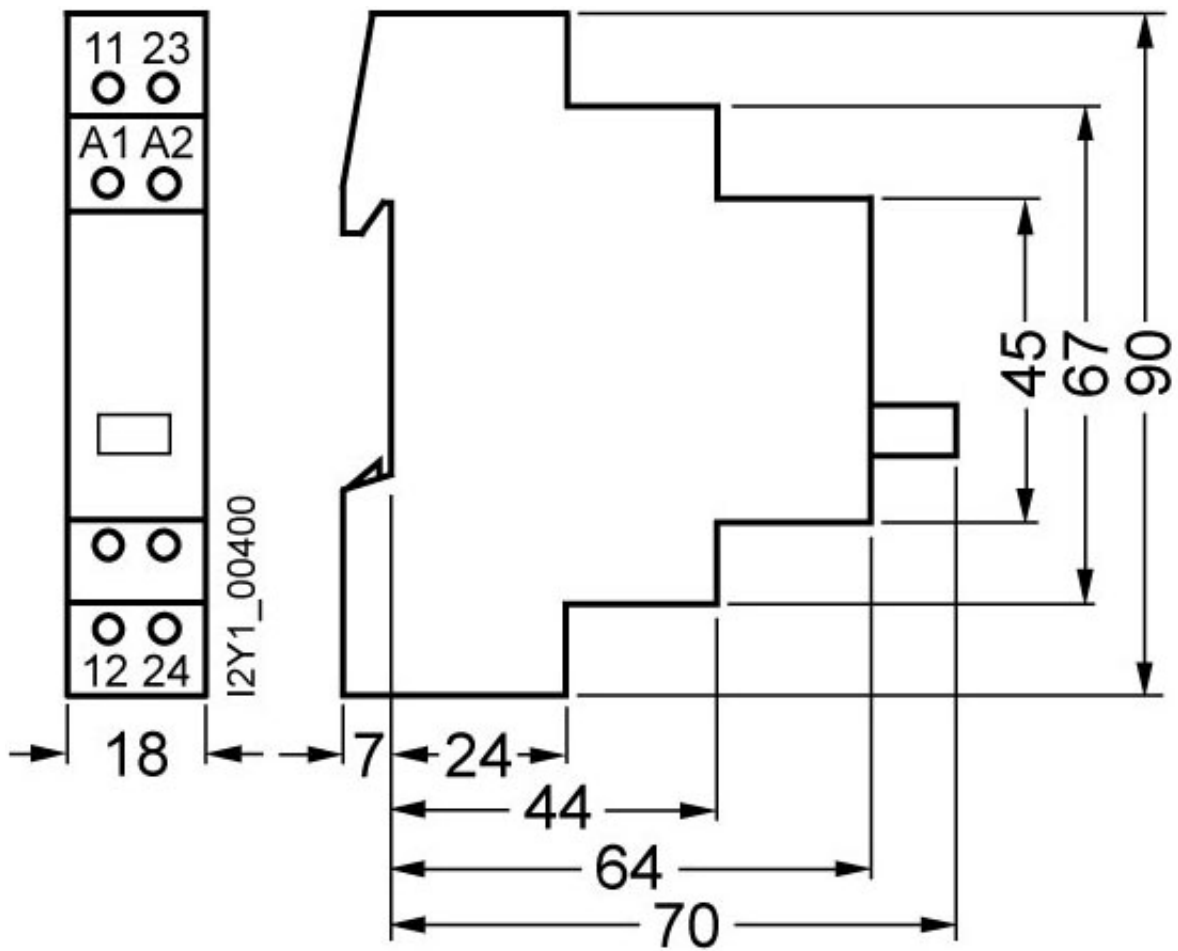
<http://support.automation.siemens.com/WW/view/en/5TT4132-0/all>

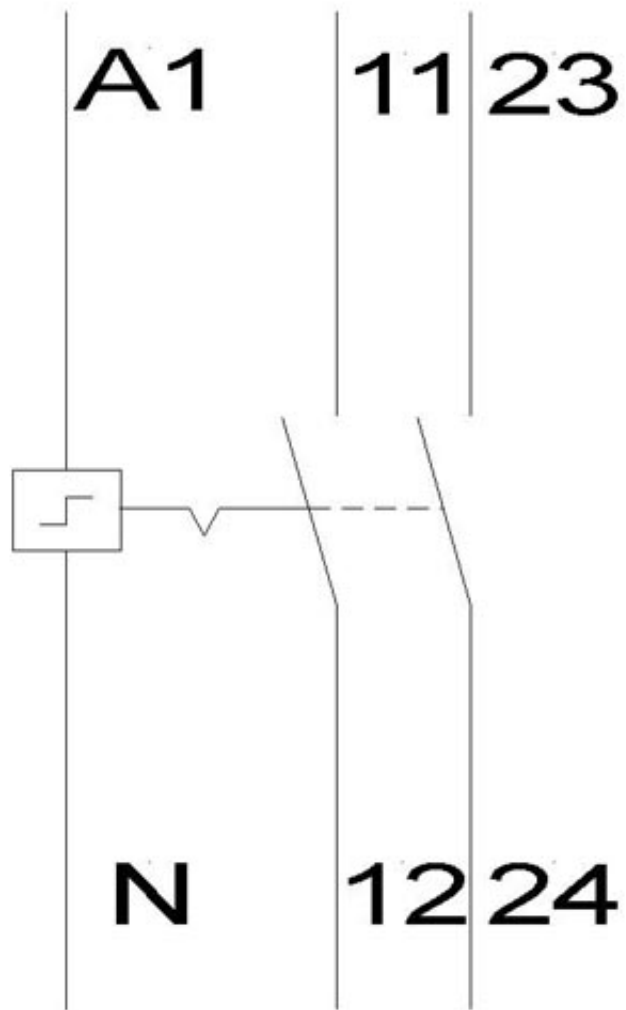
Image database (product images, 2D dimension drawings, 3D models, device circuit diagrams, ...)

http://www.automation.siemens.com/bilddb/cax_en.aspx?mlfb=5TT4132-0

Ausschreibungstexte (Leistungsverzeichnisse)

[Datanorm](#) [GAEB81](#) [GAEB83](#) [RTF](#) [TXT](#)





last change:

Dec 6, 2010