



KABA cylinder lock with masking frame, Emergency stop key number 1 Accessory for: Door-coupling rotary mechanism 3VA Side rotary operating mechanism 3VA

Model			
product brand name	SETRON		
product designation	KABA cylinder lock		
design of the product	EMERGENCY OFF		
design of handle	Red-yellow		
design of the door lock system	Door interlocking		
size format of the masking frame of door-coupling rotary operating mechanism	75x 75 mm		
protection class IP	IP65		
suitability for use	for door mounted rotary operator 3VA side mounted rotary operator 3VA		
Product details			
product description	key number 1		
product component			
• extension shaft	No		
• handle for emergency-OFF function	Yes		
Mechanical Design			
net weight	30 g		
General Product Approval	Declaration of Conformity	Marine / Shipping	other



[Miscellaneous](#)

other	Environment
-------	-------------

[Confirmation](#)

[Environmental Conformations](#)

Further information

Siemens has decided to exit the Russian market (see here).
<https://press.siemens.com/global/en/pressrelease/siemens-wind-down-russian-business>

Siemens is working on the renewal of the current EAC certificates.

Please contact your local Siemens office on the status of validity of the EAC certification if you intend to import or offer to supply these products to an EAC relevant market (other than the sanctioned EAEU member states Russia or Belarus).

Information on the packaging
<https://support.industry.siemens.com/cs/ww/en/view/109813875>

Information- and Downloadcenter (Catalogs, Brochures,...)
<http://www.siemens.com/lowvoltage/catalogs>

Industry Mall (Online ordering system)
<https://mall.industry.siemens.com/mall/en/en/Catalog/product?mifb=8UD1900-0MB05>

Service&Support (Manuals, Certificates, Characteristics, FAQs,...)

<http://support.industry.siemens.com/cs/ww/en/ps/8UD1900-0MB05>

Image database (product images, 2D dimension drawings, 3D models, device circuit diagrams, ...)

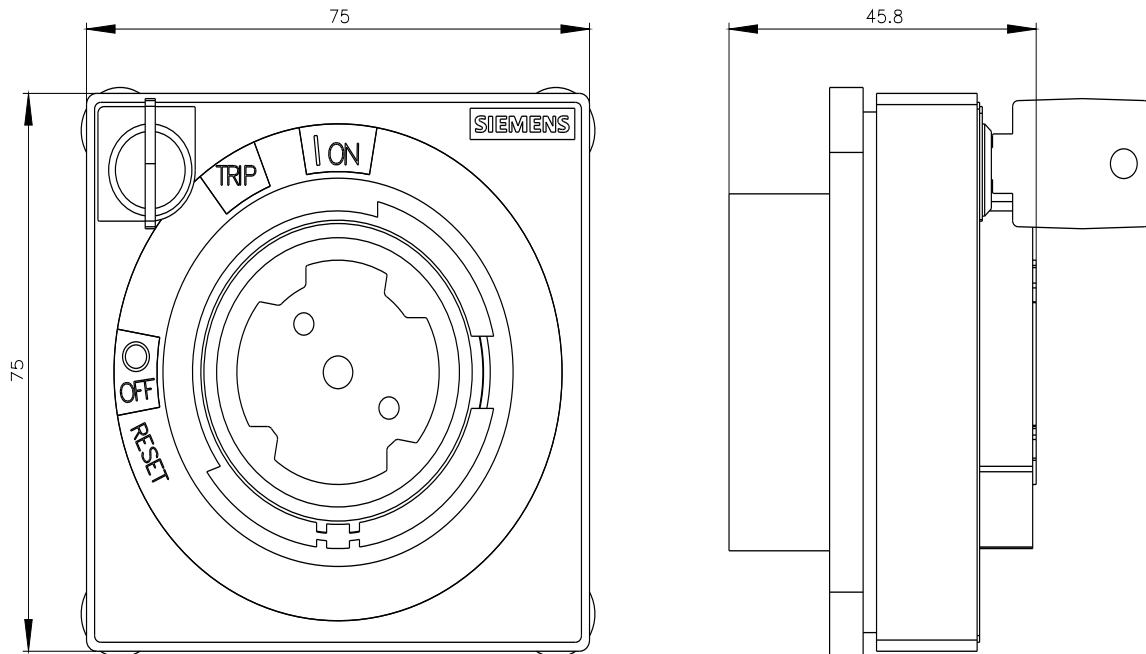
http://www.automation.siemens.com/bilddb/cax_en.aspx?mlfb=8UD1900-0MB05

CAX-Online-Generator

<http://www.siemens.com/cax>

Tender specifications

<http://www.siemens.com/specifications>



last modified:

7/29/2022 

