

Connection element, with end cover, black, for pipe mounting, with screw terminal,



product brand name	SIRIUS
product designation	Connection element
design of the product	for mounting on pipes

General technical data

reference code according to EN 61346-2	X
--	---

Enclosure

height	42.5 mm
width	70 mm
outer diameter of the signal column element	70 mm
material	PA
color	black
fastening method	mounting on pipes
protection class IP	IP65
type of electrical connection	screw-type terminals
tightening torque with screw-type terminals	0.4 N·m

Ambient conditions

ambient temperature during operation	-20 ... +50 °C
--------------------------------------	----------------

Certificates/ approvals

General Product Approval	EMC	Declaration of Conformity
--------------------------	-----	---------------------------

[Confirmation](#)



other

[Confirmation](#)

Further information

Information- and Downloadcenter (Catalogs, Brochures,...)

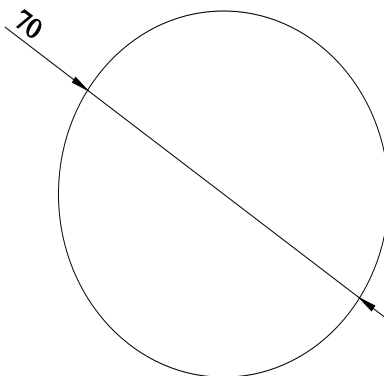
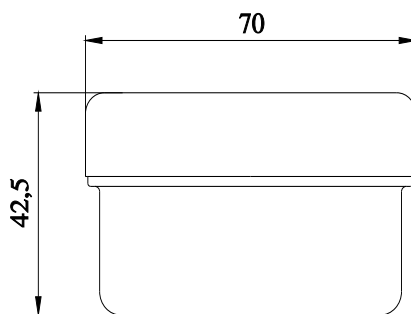
<https://www.siemens.com/ic10>

Industry Mall (Online ordering system)

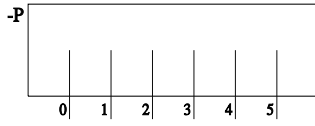
<https://mall.industry.siemens.com/mall/en/en/Catalog/product?mlfb=8WD4408-0AA>

Cax online generator

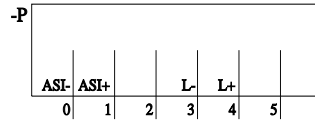
<http://support.automation.siemens.com/WWW/CAXorder/default.aspx?lang=en&mlfb=8WD4408-0AA>



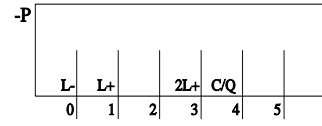
Standard



ASI



IO-Link



last modified:

12/23/2020 