

# Product data sheet

Specifications

SQUARE D



## Push-button head, Harmony 9001K, metal, metal mushroom 40mm, black, 30mm, spring return

9001KR24BM

⚠ To be discontinued on: Aug 15, 2024

⚠ To be discontinued

Product availability: Non-Stock - Not normally stocked in distribution facility

Price\*: 90.00 USD

### Main

Range of Product	Harmony 9001K
Product or Component Type	Head for push-button
Product Compatibility	Contact block 9001KA..
Device short name	9001K
Type of operator	spring return
Operator profile	Black mushroom Ø 40 mm, unmarked

### Complementary

Bezel material	Metal
Mounting diameter	1.2 in (30 mm)
CAD overall width	1.8 in (45.5 mm)
CAD overall height	1.8 in (45 mm)
CAD overall depth	2.8 in (70 mm)
Net Weight	0.311 lb(US) (0.141 kg)
Operating position	Any position
Shape of signaling unit head	Round
Head material	Metal
Operator additional information	Screw-on metal with set screw
Contacts type and composition	Without contact block
Mechanical durability	5000000 cycles
device presentation	Basic element
Cap/operator or lens colour	Black
Operator profile	Mushroom Ø 40 mm
Type of operator	Spring return
Size	30 mm

### Environment

protective treatment	TC
----------------------	----

Price is "List Price" and may be subject to a trade discount – check with your local distributor or retailer for actual price.

<b>Ambient Air Temperature for Storage</b>	-40.0000000000...158.0000000000 °F (-40...70 °C)
<b>Ambient Air Temperature for Operation</b>	-13.0000000000...158.0000000000 °F (-25...70 °C)
<b>Overvoltage category</b>	Class II IEC 61140
<b>IP degree of protection</b>	IP66 IEC 60529
<b>NEMA degree of protection</b>	NEMA 1 NEMA 12 NEMA 13 NEMA 2 NEMA 3 NEMA 3R NEMA 4 NEMA 6
<b>Standards</b>	EN/IEC 60947-5-1 EN/IEC 60947-1 EN/IEC 60947-5-4 JIS C 4520 JIS C 852 UL 508 CSA C22.2 No 14
<b>Product Certifications</b>	NEMA UL 508
<b>Vibration resistance</b>	7 gn 2...500 Hz)IEC 60068-2-6
<b>Shock resistance</b>	50 gn IEC 60068-2-27

## Ordering and shipping details

<b>Category</b>	US10CS121426
<b>Discount Schedule</b>	0CS1
<b>GTIN</b>	785901594864
<b>Returnability</b>	No
<b>Country of origin</b>	MX

## Packing Units

<b>Unit Type of Package 1</b>	PCE
<b>Number of Units in Package 1</b>	1
<b>Package 1 Height</b>	11.430 in (29.032 cm)
<b>Package 1 Width</b>	4.50 in (11.43 cm)
<b>Package 1 Length</b>	29.032 in (73.742 cm)
<b>Package 1 Weight</b>	4.800 oz (136.078 g)

## Contractual warranty

<b>Warranty</b>	18 months
-----------------	-----------

## Sustainability


**Green Premium™ label** is Schneider Electric's commitment to delivering products with best-in-class environmental performance. Green Premium promises compliance with the latest regulations, transparency on environmental impacts, as well as circular and low-CO<sub>2</sub> products.


**Guide to assessing product sustainability** is a white paper that clarifies global eco-label standards and how to interpret environmental declarations.

[Learn more about Green Premium >](#)

[Guide to assess a product's sustainability >](#)

## Well-being performance

 Mercury Free

 Rohs Exemption Information [Yes](#)

**Reach Regulation** [REACH Declaration](#)

**Eu Rohs Directive** Pro-active compliance (Product out of EU RoHS legal scope)

**China Rohs Regulation** [China RoHS declaration](#)

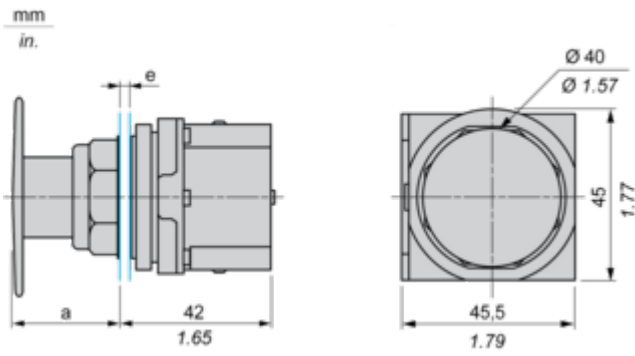
**Weee** The product must be disposed on European Union markets following specific waste collection and never end up in rubbish bins.

**California Proposition 65** WARNING: This product can expose you to chemicals including: Lead and lead compounds, which is known to the State of California to cause cancer and birth defects or other reproductive harm. For more information go to [www.P65Warnings.ca.gov](http://www.P65Warnings.ca.gov)

Dimensions Drawings

Dimensions

---



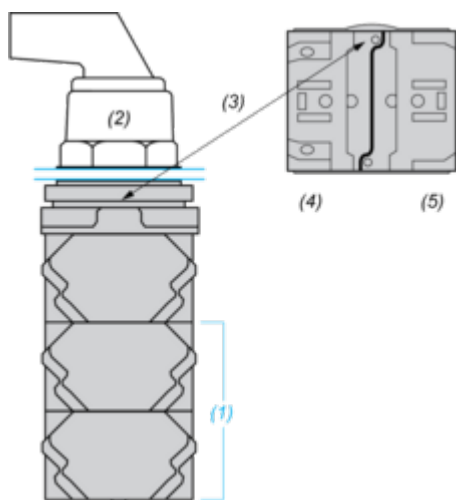
e panel thickness: 1 to 6 mm / 0.04 to 0.24 in.  
a 32 mm / 1.26 in.

Mounting and Clearance

Contact Block Mounting Position

---

Top and Rear views



(1) It is possible to mount up to 3 levels of contacts blocks (maximum of 6 contacts blocks)

(2) Operator

(3) Locating notch

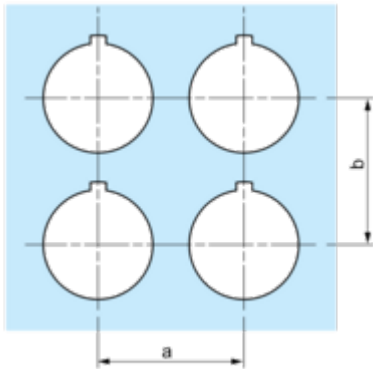
(4) Side 1

(5) Side 2

Panel Cut-Out

---

Clearance



Legend plate	a min.		b min.	
	mm	in.	mm	in.
9001KN2••	57.2	2.25	44.5	1.75
9001KN3••	57.2	2.25	50.8	2.00

Individual Cut-outs Details

2 alternatives

