

# A9 - A300

## General information

### AC operated, UL rated, 3 phase

#### Application

A-Line contactors are mainly used for controlling 3-phase motors and for controlling power circuits corresponding to their operating characteristics up to 690 and even 1000 VAC, and 440 VDC.

#### Description of 3 pole and 4 pole contactors A9 - A300

All A-Line contactors can be assembled side by side. The add-on or built-in auxiliary contacts are suitable for low level currents.

#### Control circuit types

- A-Line types: AC operated with laminated magnetic circuit.

#### Contactor types

- 3 pole contactors with NO or NC built in auxiliary contact for A9 - A40 contactors; factory assembled auxiliary contacts for A50 - A300 contactors
- 4 pole contactors: 4 NO or 2 NO & 2 NC without any auxiliary contacts. (A9 - A75)

Quick mounting on DIN rail: EN 50022 and EN 50023 standards:

35 x 7.5mm for A9 - A40

35 x 15mm for A9 - A75

75mm for A45 - A110

Location of side mounted accessories: on right or left hand side. Factory mounted on left hand side for CAL5 on A50 - A300

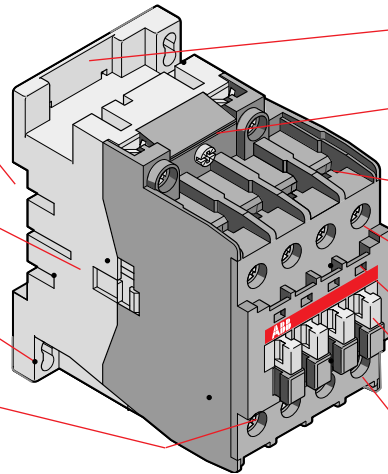
Holes for screw mounting (screws not supplied). Distance between holes according to EN 50003.

Terminals in A9 - A110 contactors are delivered in open position with captive screws (screws of unused terminals must be tightened).

Screwdriver guidance for all terminals makes it possible to use motorized screwdrivers.

All terminals provide protection against accidental direct contact with live parts according to VDE0106 - Part. 100.

All A9 - A40 contactor terminals as well as A45 - A300 contactor auxiliary contact and coil terminals ensure IP20 degree of protection according to IEC 947-1.



A9 - A300

Location of surge suppressors.

Clear marking of coil voltages and frequencies.

Connecting point for control leads in top part of main terminals of A50 - A75 contactors. For A95 & A110 contactors these are additional power connections.

Terminal marking according to IEC 947-4-1, EN 50005, EN 50012 and NEMA standards.

Location of function marker.

Stops for attaching front mounted accessories.

Terminal screws:

- Posidrive (+,-) No 2 for all A9 - A75
- M8 hex threaded socket screw for A95 - A300 main terminals.

## Catalog number explanation

### A9-30-10-84

Frame size

Power pole

- 30 = 3 NO
- 40 = 4 NO
- 22 = 2 NO & 2 NC

Coil voltage

(see coil voltage selection chart)

Auxiliary contacts

- 10 = 1 NO & 0 NC
- 01 = 0 NO & 1 NC
- 11 = 1 NO & 1 NC
- 00 = No auxiliary provided
- 22 = 2 NO & 2 NC

#### Coil voltage selection chart

Hz	Cntr type	Volts															
		12	24	48	110	120	125	208	220	240	277	380	415	440	480	500	600
60	A		81	83	84	84		34	36	80	42		86	86	51	53	55
50	A		81	83	84				80				85	86			55

For other voltages, see page 1.24.

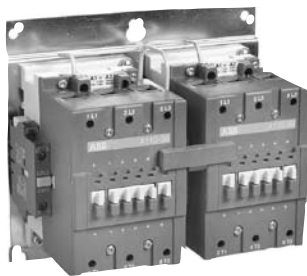
# A9 - A300

Non-reversing, mechanically interlocked, reversing  
AC operated, UL rated, 3 phase

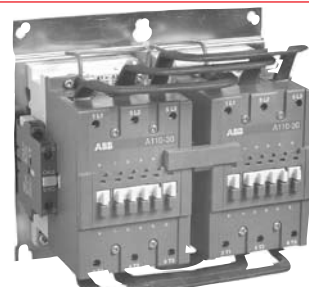
Across the line  
contactors



A26-30-10-84



A110M-30-11-84



A110R-30-11-84

UL general purpose current	UL motor switching current	Maximum motor horsepower ratings				Standard Aux. contacts		Non-reversing		Mechanically interlocked		Reversing	
		208V	240V	480V	575/600V	NO	NC	Catalog number	List price	Catalog number	List price	Catalog number	List price
AC1		<b>UL rated</b>											
21	9	2	2	5	7.5	1 0	0 1	A9-30-10-84 A9-30-01-84	<b>\$ 78</b>	A9M-30-10-84 A9M-30-01-84	<b>\$ 255</b>	A9R-30-10-84 A9R-30-01-84	<b>\$ 315</b>
25	11	3	3	7.5	10	1 0	0 1	A12-30-10-84 A12-30-01-84	<b>84</b>	A12M-30-10-84 A12M-30-01-84	<b>315</b>	A12R-30-10-84 A12R-30-01-84	<b>375</b>
30	17	5	5	10	15	1 0	0 1	A16-30-10-84 A16-30-01-84	<b>102</b>	A16M-30-10-84 A16M-30-01-84	<b>345</b>	A16R-30-10-84 A16R-30-01-84	<b>413</b>
40	28	7.5	10	20	25	1 0	0 1	A26-30-10-84 A26-30-01-84	<b>183</b>	A26M-30-10-84 A26M-30-01-84	<b>405</b>	A26R-30-10-84 A26R-30-01-84	<b>480</b>
50	34	10	10	25	30	1 0	0 1	A30-30-10-84 A30-30-01-84	<b>252</b>	A30M-30-10-84 A30M-30-01-84	<b>548</b>	A30R-30-10-84 A30R-30-01-84	<b>623</b>
60	42	10	15	30	40	1 0	0 1	A40-30-10-84 A40-30-01-84	<b>297</b>	A40M-30-10-84 A40M-30-01-84	<b>639</b>	A40R-30-10-84 A40R-30-01-84	<b>750</b>
80	54	15	20	40	50	1	1	A50-30-11-84	<b>330</b>	A50M-30-11-84	<b>713</b>	A50R-30-11-84	<b>810</b>
90	65	20	25	50	60	1	1	A63-30-11-84	<b>372</b>	A63M-30-11-84	<b>870</b>	A63R-30-11-84	<b>1,013</b>
105	80	25	30	60	75	1	1	A75-30-11-84	<b>413</b>	A75M-30-11-84	<b>1,155</b>	A75R-30-11-84	<b>1,298</b>
125	95	30	30	60	75	1	1	A95-30-11-84	<b>450</b>	A95M-30-11-84	<b>1,230</b>	A95R-30-11-84	<b>1,425</b>
140	110	30	40	75	100	1	1	A110-30-11-84	<b>480</b>	A110M-30-11-84	<b>1,365</b>	A110R-30-11-84	<b>1,628</b>
230	130	40	50	100	125	1	1	A145-30-11-84	<b>825</b>	A145M-30-11-84	<b>2,235</b>	A145R-30-11-84	<b>2,250</b>
250	156	50	60	125	150	1	1	A185-30-11-84	<b>1,290</b>	A185M-30-11-84	<b>3,360</b>	A185R-30-11-84	<b>3,375</b>
300	192	60	75	150	200	1	1	A210-30-11-84	<b>1,635</b>	A210M-30-11-84	<b>4,035</b>	A210R-30-11-84	<b>4,050</b>
350	248	75	100	200	250	1	1	A260-30-11-84	<b>1,815</b>	A260M-30-11-84	<b>4,485</b>	A260R-30-11-84	<b>4,500</b>
400	302	100	100	250	300	1	1	A300-30-11-84	<b>1,875</b>	A300M-30-11-84	<b>5,460</b>	A300R-30-11-84	<b>5,475</b>
550	414	125	150	350	400	1	1						
650	480	150	200	400	500	1	1						
750	602	200	250	500	600	1	1						
900	810	250	300	600	700	1	1						
1350	960	—	400	800	900	1	1						
1650	1080	—	450	900	1000	1	1						

See Type AF contactors, page 1.9

### Coil voltage selection

All AC operated catalog numbers include a 120VAC coil. To select other coil voltages, substitute the code from the Coil Voltage Selection Chart for the two digits after the last dash in the catalog number.

Ex.: A 240V coil is required for an A75 contactor: A75-30-11-80

### Auxiliary contact blocks

For additional auxiliary contact blocks, see catalog number explanation on page 1.2. Add \$ 20 to list price for each additional auxiliary, and see page 1.32 for available combinations. Only side-mounted blocks are allowed to be factory installed. If auxiliary contacts are not required for A50 - A300, subtract \$ 40 from list price and change catalog number to "00" instead of "11."

### Mechanical interlock

Mechanically interlocked contactors are designed for reversing, 2 speed, reduced voltage, etc. type starter applications. The complete assembly consists of two mechanically and electrically interlocked contactors mounted as follows with line and load terminals:

- A9 - A16 — mounted on 35mm DIN rail
- A26 - A300 — mounted on common baseplate

Power wiring is not included. The NC electrical interlock is provided with the mechanical interlock for A9 - A110 contactors.

### Coil voltage selection chart

Hz	Cntr type	Volts															
		12	24	48	110	120	125	208	220	240	277	380	415	440	480	500	600
60	A		81	83	84	84		34	36	80	42		86	86	51	53	55
50	A		81	83	84				80			85	86				55

For other voltages, see page 1.24.

### Reversing

Reversing contactors are designed for reversing type starter applications. The complete assembly consists of two mechanically and electrically interlocked contactors mounted as follows with line and load terminals:

- A9 - A16 — mounted on 35mm DIN rail
- A26 - A300 — mounted on common baseplate

The NC electrical interlock is provided with the mechanical interlock for A9 - A110 contactors.