

AF09N00ZR ... AF26N1ZR 3-pole NEMA rated reversing contactors

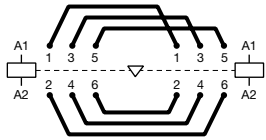
Sizes 00 to 1

AC / DC operated - low consumption

2



AF09N00ZR-30-22



Power bus diagram

Description

AF09N00ZR ... AF26N1ZR NEMA rated reversing contactors are mainly used for directionally controlling 3-phase motor circuits up to 575V AC. These devices include two 3-pole contactors, a mechanical and electrical interlock, power bus (see diagram to the left), and are assembled using fixing clips.

Note: for mechanically and electrically interlocked devices without power bus, replace the R in the catalog number with an M (ie. AF09N00ZR-3022-13 becomes AF09N00ZM-3022-13).

- control circuit: AC or DC operated with electronic coil interface accepting a wide control voltage range (e.g. 100...250 V AC and DC), only 4 control voltage ranges covering 24...250 V 50/60 Hz and 20...250 V DC
- can manage large control voltage variations
- allow direct control by PLC-output ≥ 24 V DC 500 mA
- reduced panel energy consumption
- very distinct closing and opening
- can withstand short voltage dips and voltage sags (SEMI F47-0706 conditions of use on request)
- built-in surge suppression
- add-on auxiliary contact blocks for front or side mounting and a wide range of accessories

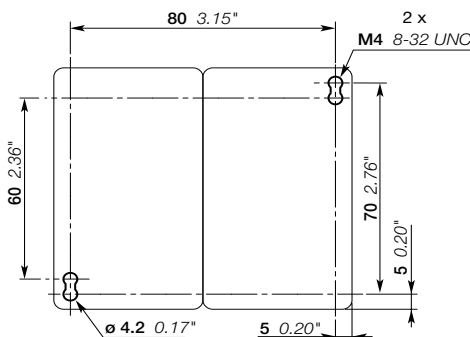
Ordering details

NEMA Size	Continuous current	3-phase motor rating		Rated control circuit voltage		Auxiliary contacts fitted (2)	Catalog number	Global reference code (3)	Weight Pkg (1 pce)
		230V	460/575	Uc min. ... Uc max.	Uc min. ... Uc max.				
	A	hp	hp	V 50/60 Hz	V DC				kg
00	9	1.5	2	24...60	20...60	2 2	AF09N00ZR-3022-21		0.702
				48...130	48...130	2 2	AF09N00ZR-3022-22		0.702
				100...250	100...250	2 2	AF09N00ZR-3022-23		0.702
0	18	3	5	24...60	20...60	2 2	AF12N0ZR-3022-21		0.702
				48...130	48...130	2 2	AF12N0ZR-3022-22		0.702
				100...250	100...250	2 2	AF12N0ZR-3022-23		0.702
1	27	7.5	10	24...60	20...60	0 2	AF26N1ZR-3002-21		0.837
						2 2	AF26N1ZR-3022-21		0.865
				48...130	48...130	0 2	AF26N1ZR-3002-22		0.837
						2 2	AF26N1ZR-3022-22		0.865
				100...250	100...250	0 2	AF26N1ZR-3002-23		0.837
						2 2	AF26N1ZR-3022-23		0.865

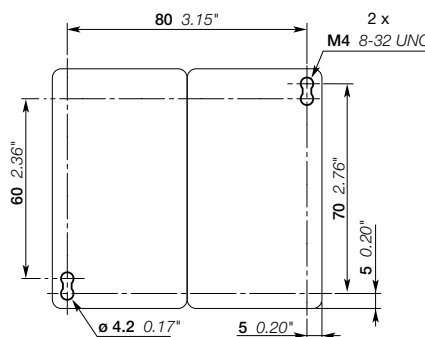
(1) Normally closed contacts included as part of the electrical interlock. Normally open auxiliaries are either integral or front-mount.

(2) Available in the US and Canada only.

Mounting dimensions mm, inches



AF09N00ZR, AF12N0ZR



AF26N1ZR