

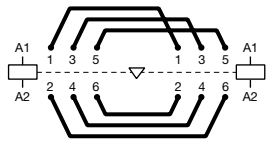
AF09N00R ... AF26N1R 3-pole NEMA rated reversing contactors

Sizes 00 to 1

AC / DC operated



AF09N00R-3022



Power bus diagram

Description

AF09N00R ... AF26N1R NEMA rated reversing contactors are mainly used for directionally controlling 3-phase motor circuits up to 575V AC. These devices include two 3-pole contactors, a mechanical and electrical interlock, power bus (see diagram to the left), and are assembled using fixing clips.

Note: for mechanically and electrically interlocked devices without power bus, replace the R in the catalog number with an M (ie. AF09N00R-3022-13 becomes AF09N00M-3022-13).

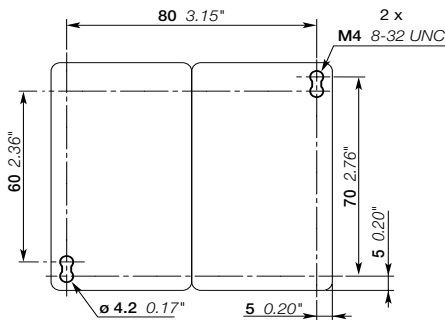
- control circuit: AC or DC operated with electronic coil interface accepting a wide control voltage range (e.g. 100...250 V AC and DC), only 4 control voltage ranges covering 24...500V 50/60 Hz and 20...500 V DC
 - can manage large control voltage variations
 - reduced panel energy consumption
 - very distinct closing and opening
- built-in surge suppression
- add-on auxiliary contact blocks for front or side mounting and a wide range of accessories

Ordering details

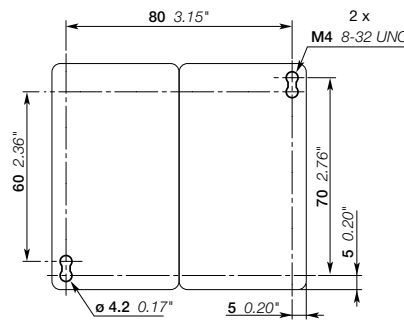
NEMA Size	Continuous current	3-phase motor rating		Rated control circuit voltage		Auxiliary contacts fitted (2)	Catalog number	Global reference code (3)	Weight Pkg (1 pce)
		230V	460/575	V 50/60 Hz	V DC				
00	9	1.5	2	24...60	-	(1)	2 2	AF09N00R-3022-41	0.622
				48...130	48...130		2 2	AF09N00R-3022-12	0.622
				100...250	100...250		2 2	AF09N00R-3022-13	0.622
				250...500	250...500		2 2	AF09N00R-3022-14	0.702
0	18	3	5	24...60	-	(1)	2 2	AF12N0R-3022-41	0.622
				48...130	48...130		2 2	AF12N0R-3022-12	0.622
				100...250	100...250		2 2	AF12N0R-3022-13	0.622
				250...500	250...500		2 2	AF12N0R-3022-14	0.702
1	27	7.5	10	24...60	-	(1)	0 2	AF26N1R-3002-41	0.757
				48...130	48...130		2 2	AF26N1R-3022-41	0.785
				100...250	100...250		0 2	AF26N1R-3002-12	0.757
				250...500	250...500		2 2	AF26N1R-3022-12	0.785
				250...500	250...500		0 2	AF26N1R-3002-13	0.757
				250...500	250...500		2 2	AF26N1R-3022-13	0.785
				250...500	250...500		0 2	AF26N1R-3002-14	0.837
				250...500	250...500		2 2	AF26N1R-3022-14	0.865

(1) For 24...60 V 50/60 Hz - 20...60 V DC, use AF.-30-.-11 (see voltage code table). AF.-30-.-11 not suitable for direct control by PLC-output.
 (2) Normally closed contacts included as part of the electrical interlock. Normally open auxiliaries are either integral or front-mount.
 (3) Available in the US and Canada only.

Mounting dimensions mm, inches



AF09N00R, AF12N0R



AF26N1R