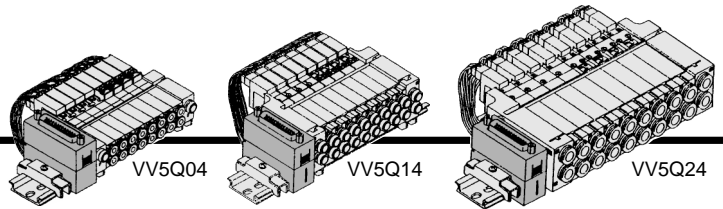


F VQ0000/1000/2000 Kit (D-sub Connector)



- The D-sub connector reduces installation labor for electrical connection.
- The D-sub connector (25 pin std., 15 pin option) conforms with MIL permitting use of commercial connectors with wide interchangeability.
- Top or side receptacle position can be selected in accordance with the available mounting space.
- Max. 16 stations.

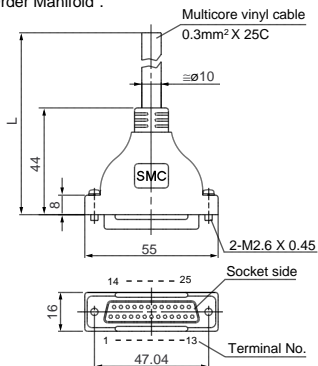
Manifold Specifications VV5Q14

Series	Porting specifications			Applicable stations
	Port location	Port size		
		P, R	A, B	
VQ0000	Side	C6	C3, C4, M5	Max. 16
VQ1000	Side	C6	C3, C4, C6, M5	Max. 16
VQ2000	Side	C8	C4, C6, C8	Max. 16

D-sub connector (25 pin)

AXT100-DS25-015
-030
050

(The D-sub connector cable ass'y can be ordered individually or included in a specific manifold model No. Refer to "How to Order Manifold".)



D-sub connector cable ass'y (Option)

Cable Length (L)	Ass'y No.	Note
1.5m	AXT100-DS25-015	Cable 25 core X 24AWG
3m	AXT100-DS25-030	
5m	AXT100-DS25-050	

* For other commercial connectors, use a 25 pin female connector made in conformity with MIL-C-24308.

Electric characteristics

Item	Characteristic
Conductor resistance $\Omega/\text{km}, 20^\circ\text{C}$	65 or less
Voltage limit V, 1 min, AC	1000
Insulation resistance $\text{M}\Omega/\text{km}, 20^\circ\text{C}$	5 or more

* The min. bending radius of D-sub cable assembly is 20 mm.

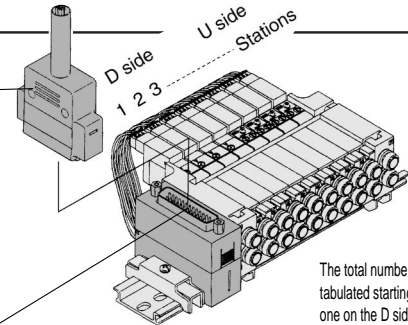


Note) Types with 15-pin are also available. See p.1.10-66 for details.

Cable Assembly

Wire color table by terminal number of D-sub connector cable assembly:

Terminal No.	Lead wire color	Dot marking
1	Black	-
2	Brown	-
3	Red	-
4	Orange	-
5	Yellow	-
6	Pink	-
7	Blue	-
8	Violet	White
9	Gray	Black
10	White	Black
11	White	Red
12	Yellow	Red
13	Orange	Red
14	Yellow	Black
15	Pink	Black
16	Blue	White
17	Violet	-
18	Gray	-
19	Orange	Black
20	Red	White
21	Brown	White
22	Pink	Red
23	Gray	Red
24	Black	White
25	White	-



The total number of stations is tabulated starting from station one on the D side.

Electrical Wiring Specifications

D-sub connector	Terminal No.	Polarity	Lead wire color	Dot marking
1 station	SOLA_1	(-)	(+) Black	-
	SOLB_14	(-)	(+) Yellow	Black
2 stations	SOLA_2	(-)	(+) Brown	-
	SOLB_15	(-)	(+) Pink	Black
3 stations	SOLA_3	(-)	(+) Red	-
	SOLB_16	(-)	(+) Blue	White
4 stations	SOLA_4	(-)	(+) Orange	-
	SOLB_17	(-)	(+) Violet	-
5 stations	SOLA_5	(-)	(+) Yellow	-
	SOLB_18	(-)	(+) Gray	-
6 stations	SOLA_6	(-)	(+) Pink	-
	SOLB_19	(-)	(+) Orange	Black
7 stations	SOLA_7	(-)	(+) Blue	-
	SOLB_20	(-)	(+) Red	White
8 stations	SOLA_8	(-)	(+) Violet	White
	SOLB_21	(-)	(+) Brown	White
	COM_13	(+)	Note) (-) Orange	Red

Positive COM Negative COM



Irrespective of the valves or options, the internal wiring is made double (connected to SOL. A and SOL. B) for respective stations of the manifold. The optional specification permits mixture of single and double wiring. See p.1.10-67 for details.

Note) Use negative COM valves for negative COM specification manifolds. (See p.1.10-67)

How to Order Manifold

VV5Q 1 4 - 08 F S 1 - D

Series

0	VQ0000
1	VQ1000
2	VQ2000

Manifold

4	Plug lead unit/Flip
---	---------------------

Stations

01	1 station
:	:
16	16 stations

See p.1.10-67 for details.

Cable (length)

0	Without cable
1	With cable (1.5 m)
2	With cable (3 m)
3	With cable (5 m)

Connector location

U	Top (vertical)
S	Side (horizontal)

Option

Symbol	Option
D (2)	DIN rail mounting
K	Special wiring specification (Not double wiring)
N	With name plate
S	Built-in silencer {Direct exhaust (U side only)}

Note 1) When specifying more than one option, please list alphabetically. Example) -DNS

Note 2) Specify the wiring specifications by means of the manifold specification form.