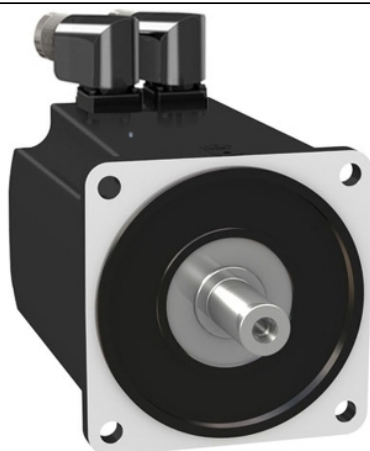


# BMH1403P17A2A

servo motor BMH - 24 Nm - 4000 rpm - keyed shaft - without brake - IP54



Product availability: Non-Stock - Not normally stocked in distribution facility



## Main

Product or component type	Servo motor
Device short name	BMH
Maximum mechanical speed	4000 rpm
Continuous stall torque	212.42 Lbf.In (24 N.m) LXM32.D72N4 24 A, 400 V, three phase 212.42 lbf.in (24 N.m) LXM32.D72N4 24 A, 480 V, three phase
Peak stall torque	635.48 Lbf.In (71.8 N.m) LXM32.D72N4 24 A, 400 V, three phase 635.48 lbf.in (71.8 N.m) LXM32.D72N4 24 A, 480 V, three phase
Nominal output power	4700 W LXM32.D72N4 24 A, 400 V, three phase 4700 W LXM32.D72N4 24 A, 480 V, three phase
Nominal torque	126.57 Lbf.In (14.3 N.m) LXM32.D72N4 24 A, 400 V, three phase 126.57 lbf.in (14.3 N.m) LXM32.D72N4 24 A, 480 V, three phase
Nominal speed	3000 rpm LXM32.D72N4 24 A, 400 V, three phase 3000 rpm LXM32.D72N4 24 A, 480 V, three phase
Product compatibility	LXM32.D72N4 400...480 V three phase
Shaft end	Keyed
IP degree of protection	IP54 standard
Speed feedback resolution	32768 points/turn x 4096 turns
Holding brake	Without
Mounting support	International standard flange
Electrical connection	Rotatable right-angled connectors

## Complementary

Range compatibility	Lexium 32
[Us] rated supply voltage	480 V
Phase	Three phase
Continuous stall current	18 A
Continuous power	4.8 W
Maximum current Irms	62.3 A LXM32.D72N4
Maximum permanent current	62.3 A
Second shaft	Without second shaft end
Shaft diameter	0.94 in (24 mm)
Shaft length	1.97 in (50 mm)
Key width	1.57 in (40 mm)
Feedback type	Multiturn SinCos Hiperface
Motor flange size	5.51 in (140 mm)
Number of motor stacks	3
Torque constant	1.34 N.m/A 248 °F (120 °C)
Back emf constant	85.9 V/krpm 248 °F (120 °C)
Number of motor poles	10
Rotor inertia	47.5 kg.cm <sup>2</sup>
Stator resistance	0.22 Ohm 68 °F (20 °C)

Stator inductance	3 mH 68 °F (20 °C)
Stator electrical time constant	13.6 ms 68 °F (20 °C)
Maximum radial force Fr	2420 N 1000 rpm 1920 N 2000 rpm 1680 N 3000 rpm
Maximum axial force Fa	0.2 x Fr
Type of cooling	Natural convection
Length	9.13 in (232 mm)
Centring collar diameter	5.12 in (130 mm)
Centring collar depth	0.14 in (3.5 mm)
Number of mounting holes	4
Mounting holes diameter	0.43 in (11 mm)
Circle diameter of the mounting holes	6.50 in (165 mm)
Product weight	35.27 lb(US) (16 kg)

## Ordering and shipping details

Category	18282 - LEXIUM 32 MOTORS
Discount Schedule	PC53
GTIN	03606485208398
Package weight(Lbs)	16.27 kg (35.86 lb(US))
Returnability	No
Country of origin	DE

## Offer Sustainability

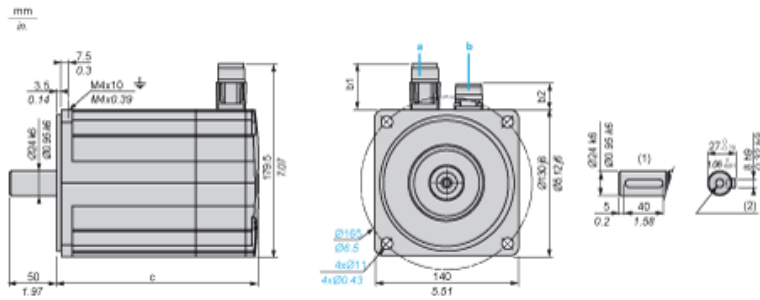
Sustainable offer status	Green Premium product
California proposition 65	WARNING: This product can expose you to chemicals including: Lead and lead compounds which is known to the State of California to cause Carcinogen & Reproductive harm. For more information go to <a href="http://www.p65warnings.ca.gov">www.p65warnings.ca.gov</a>
REACH Regulation	<a href="#">REACH Declaration</a>
EU RoHS Directive	Pro-active compliance (Product out of EU RoHS legal scope) <a href="#">EU RoHS Declaration</a>
Mercury free	Yes
RoHS exemption information	<a href="#">Yes</a>
China RoHS Regulation	<a href="#">China RoHS Declaration</a>
Environmental Disclosure	<a href="#">Product Environmental Profile</a>
Circularity Profile	No need of specific recycling operations
WEEE	The product must be disposed on European Union markets following specific waste collection and never end up in rubbish bins.

## Contractual warranty

Warranty	18 months
----------	-----------

Servo Motors Dimensions

Example with Straight Connectors



- a: Power supply for servo motor brake
- b: Power supply for servo motor encoder
- (1) Shaft end, keyed slot (optional)
- (2) For screw M8 x 25 mm/M8 x 0.98 in.

Dimensions in mm

Straight connectors		Rotatable angled connectors		c (without brake)	c (with brake)
b	b1	b	b1		
39.5	25.5	39.5	39.5	232	267

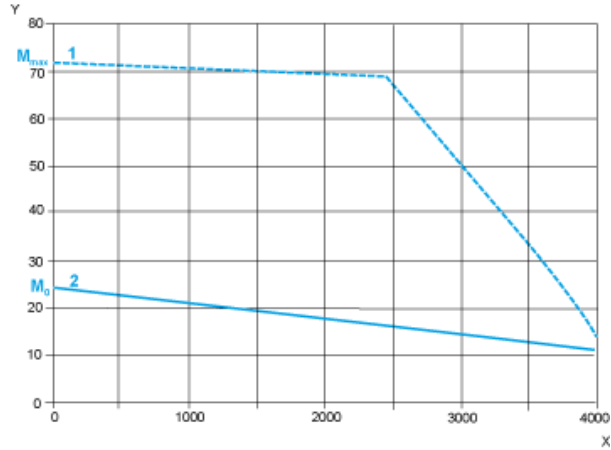
Dimensions in in.

Straight connectors		Rotatable angled connectors		c (without brake)	c (with brake)
b	b1	b	b1		
1.55	1.00	1.55	1.55	9.13	10.51

400 V 3-Phase Supply Voltage

Torque/Speed Curves

Servo motor with LXM32•D72N4 servo drive

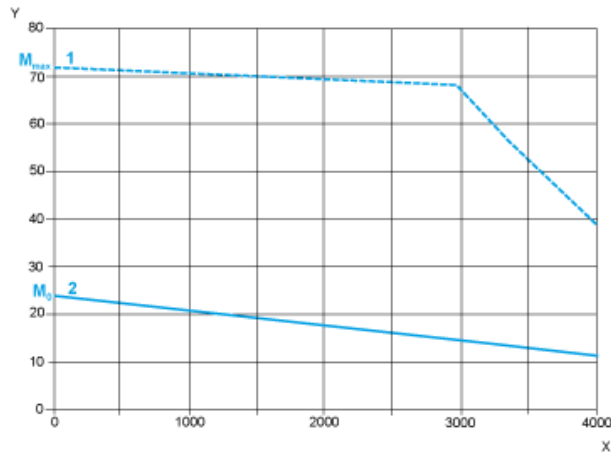


- X Speed in rpm
- Y Torque in Nm
- 1 Peak torque
- 2 Continuous torque

480 V 3-Phase Supply Voltage

Torque/Speed Curves

Servo motor with LXM32•D72N4 servo drive



- X Speed in rpm
- Y Torque in Nm
- 1 Peak torque
- 2 Continuous torque