

# OMRON



## Flat Cable Connector DCN4-□□4D

### Flat cables available for DeviceNet! Approved by ODVA.



# Click

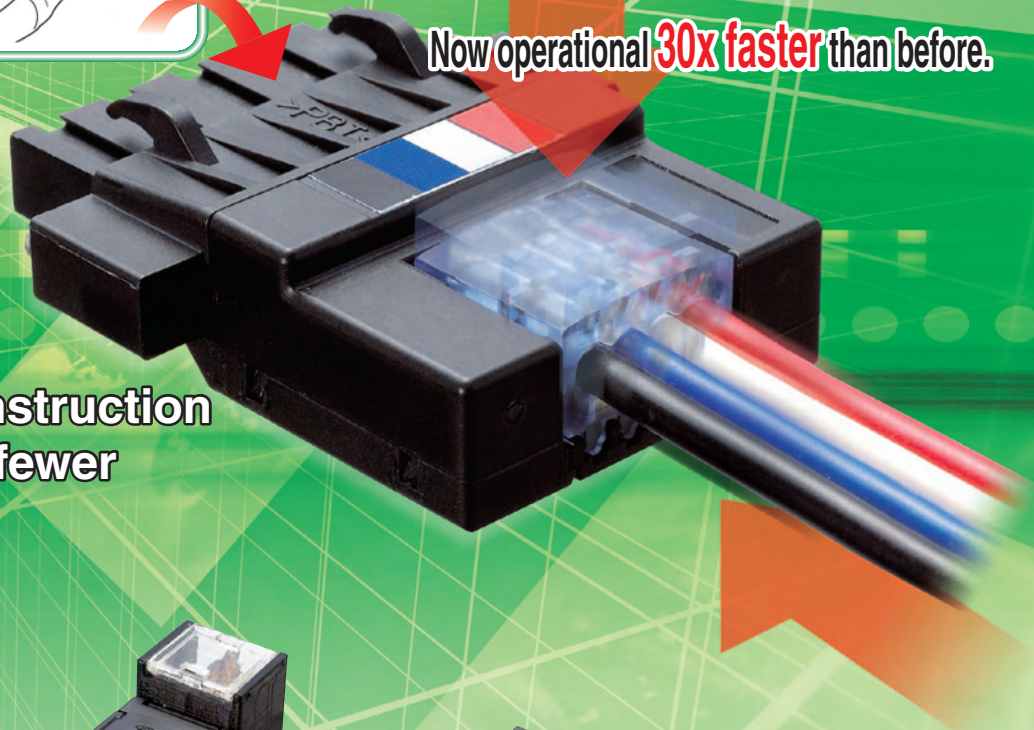
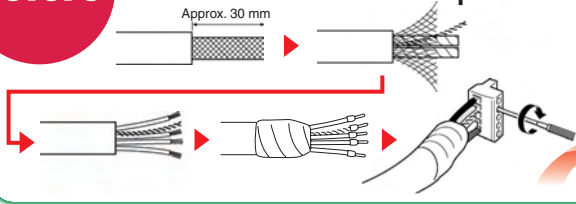
## Easy connection.

Now operational **30x faster** than before.

**before**

The inconvenient former process.

Approx. 30 mm



- A screwless construction for a cable with fewer problems.



DCN4-SF4D



DCN4-TP4D



DCN4-BR4D

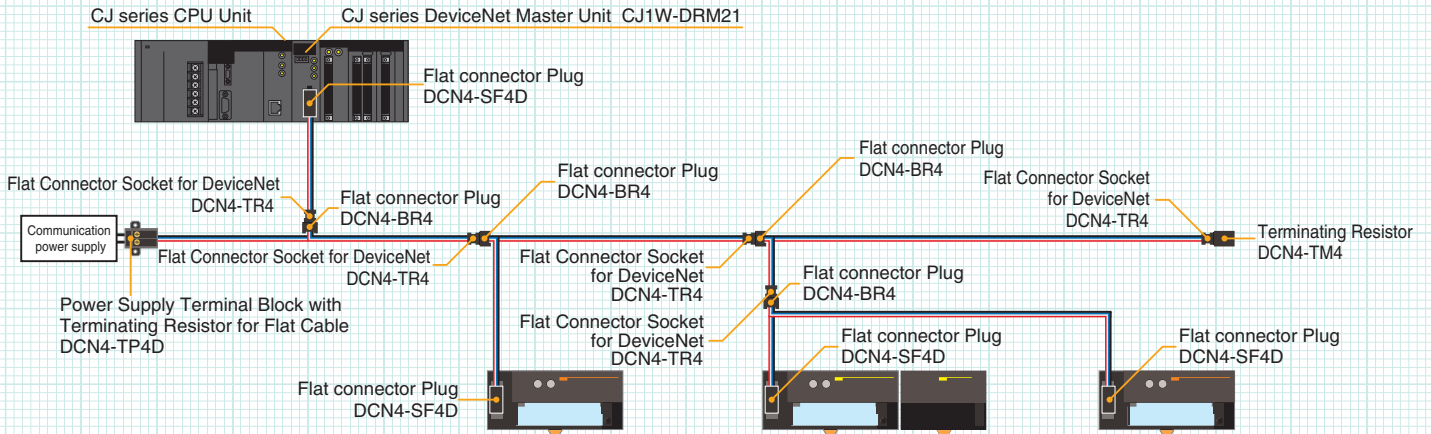


DCN4-BR4

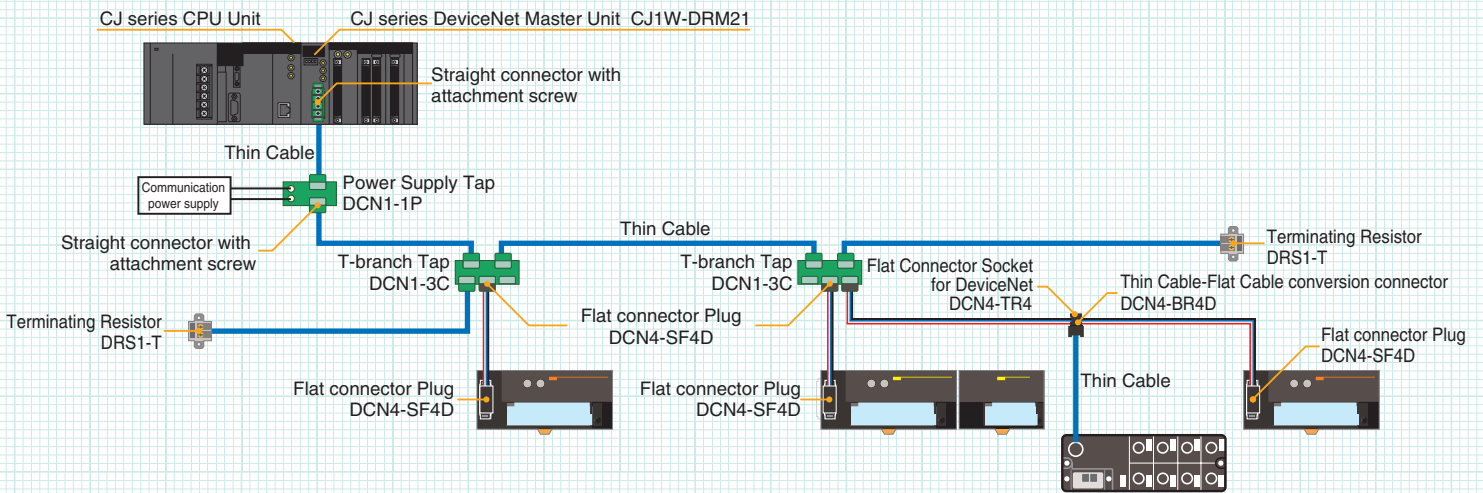


DCN4-TM4

### System Configuration Diagram for All Flat Cables



### System Configuration Diagram for Mixed Cables



### Ordering Guide

\* DeviceNet is a registered trademark of ODVA.

Product Name	Type
Flat Cable Connector	DCN4-SF4D
Flat connector Plug	DCN4-BR4
Thin Cable-Flat Cable conversion connector	DCN4-BR4D
Power Supply Terminal Block with Terminating Resistor for Flat Cable	DCN4-TP4D
Terminating Resistor	DCN4-TM4
Flat Cable (100m)	DCA4-4F10
Special Tool for Flat Cable	DWT-A01
* Delivered in units of 10 pcs. Please place your order in units of 10 pcs.	



OMRON ELECTRONICS LLC • THE AMERICAS HEADQUARTERS • Schaumburg, IL USA • 847.843.7900 • 800.556.6766 • www.omron247.com

OMRON CANADA, INC. • HEAD OFFICE  
Toronto, ON, Canada • 416.286.6465 • 866.986.6766 • www.omron.ca

OMRON ELETRÔNICA DO BRASIL LTDA • HEAD OFFICE  
São Paulo, SP, Brasil • 55.11.2101.6300 • www.omron.com.br

OMRON ELECTRONICS MEXICO SA DE CV • HEAD OFFICE  
Apodaca, N.L. • 52.811.156.99.10 • mela@omron.com