

Multi-connector with One-touch Fittings

Series *DMK*

No. of Connecting Tubes: 6, 12

Multi-connector with One-touch fittings provide quick and easy installation and removal of multiple tubing (nylon, soft nylon, and polyurethane) when connecting to a panel of a device.

A unique positioning mechanism allows accurate installation and removal of tubing with ease even in a hard-to-see locations, while preventing piping errors when reconnecting.

Built-in One-touch fittings

Applicable to nylon, soft nylon, and polyurethane tubes.

Saves installation time

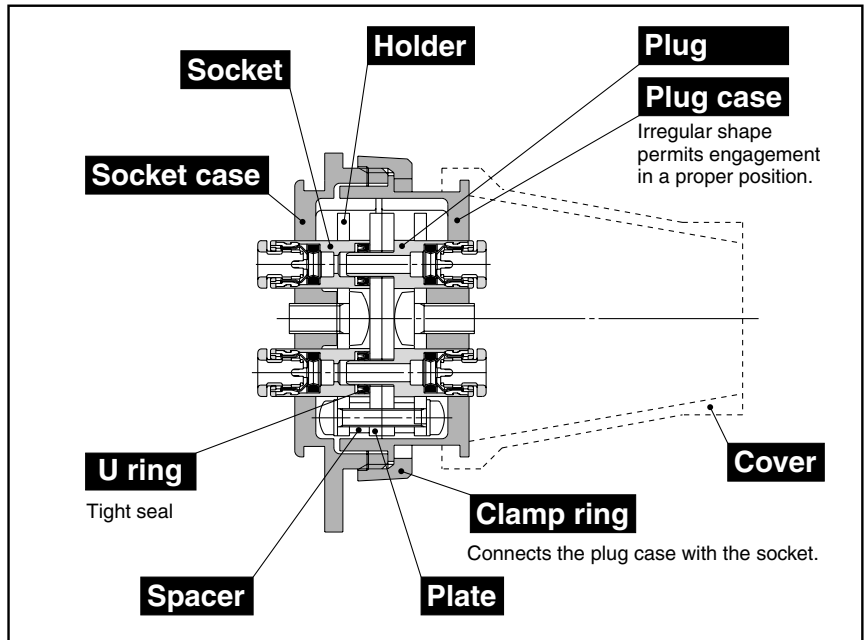
Unlike the use of multiple bulkhead unions for panel, Series DMK with built-in One-touch fittings significantly reduces the piping time.

Secure tube connection

Tubes are easily and securely connected to the multi-connector with built-in One-touch fittings.

No. of connecting tubes:

2 types of multi-connectors are available: 6 tubes and 12 tubes.



Model

| No. of connecting tubes | Model | | | Cover part no. (Option) |
|-------------------------|-----------------|----------------|------------------|-------------------------|
| | Multi-connector | Plug side only | Socket side only | |
| 6 | DMK6-23 | DMK6P-23 | DMK6S-23 | DMK-C-6 |
| | DMK6-04 | DMK6P-04 | DMK6S-04 | |
| 12 | DMK12-23 | DMK12P-23 | DMK12S-23 | DMK-C-12 |
| | DMK12-04 | DMK12P-04 | DMK12S-04 | |

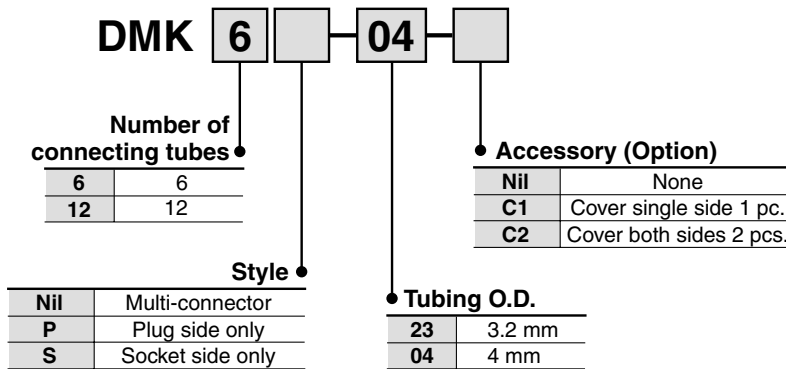
Specifications

| | |
|-------------------------------|-----------------------------------|
| Applicable tubing materials | Nylon, Soft nylon, Polyurethane |
| Applicable tubing O.D. (mm) | 3.2, 4 |
| Fluid | Air |
| Maximum operating pressure | 1.0 MPa |
| Ambient and fluid temperature | -5 to 60°C (With no condensation) |

Principal Parts Material

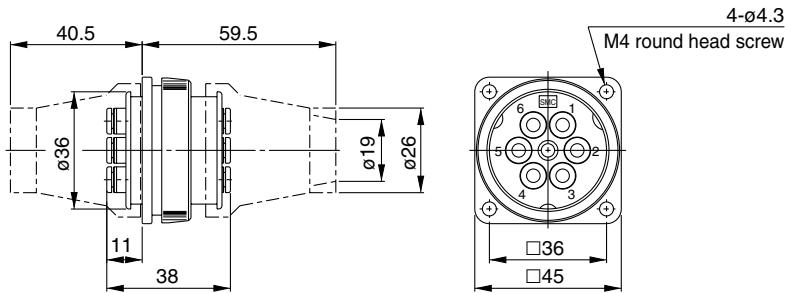
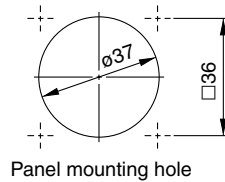
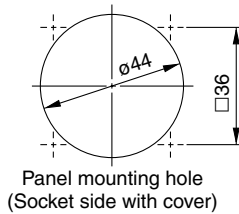
| | DMK6 | DMK12 |
|--|---|----------------------|
| Socket case | ADC12, White half-polished finish | |
| Plug case | ADC12, White half-polished finish | |
| Clamp ring | ADC12, White half-polished finish | |
| Plate | SPCC, Chromated | |
| Holder | SPCC, Zinc chromated | A5052, Hard anodized |
| Socket | C3604BD Electroless nickel plated, POM, Stainless steel 304 | |
| Plug | C3604BD Electroless nickel plated, POM, Stainless steel 304 | |
| U ring | NBR | |
| Cover | Silicon rubber | |
| Round head phillips screw | SWRM, Nickel plated | |
| Round head phillips screw with flat washer | SWRM, Zinc chromated | |
| Spacer | SPC, Zinc chromated | |

How to Order

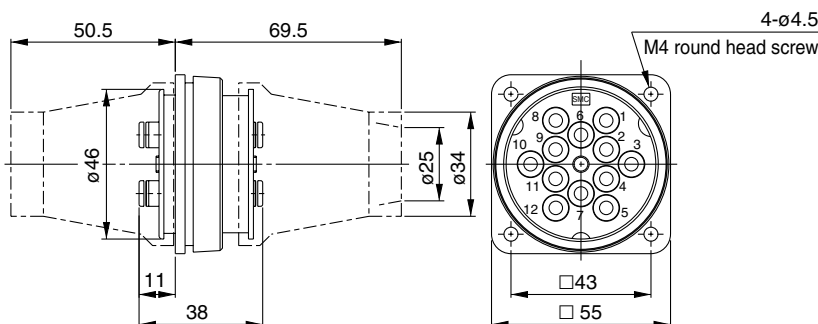
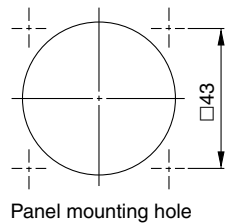
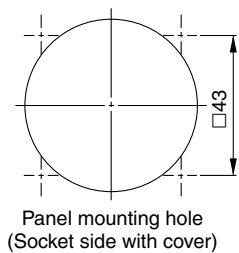


Dimensions

DMK6



DMK12



⚠ Precautions

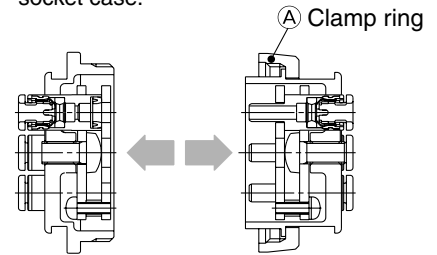
Be sure to read before handling.
Please consult with SMC when the required specification is out of range.

How to Use

⚠ Caution

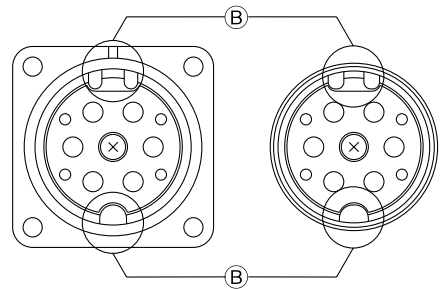
Disassembly

- Loosen clamp ring (A) and disassemble the connector into the plug case and socket case.



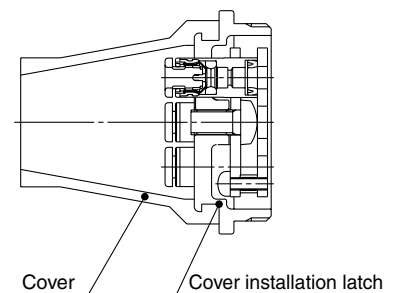
Connection

- Turn the cases while pressing them against each other until the plug case slides into the socket case at a proper position.
- Align at mark (B) of the plug and socket cases and turn them against each other to connect the two cases.
- Screw in the clamp ring to complete the connection.



Installation of cover

- The cover can be installed on both the plug case or socket case.
- Stretch the cover to install on the cover installation latch.



K
M
H
D
MS
T
VMG