

Compact Circuit Disconnect

UL 98 non-fused 30, 60 and 100 A switches (cat. no. CCD2)



CCD2 switch

Contents

Description

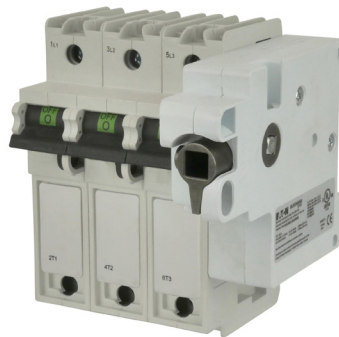
| | Page |
|--|-------------|
| Description and specifications | 2-3 |
| Catalog numbers | 4 |
| Conductor information | 4 |
| Dimensions | 5-6 |

Accessories

| | |
|---------------------------------------|---|
| Multi-wire lug kits | 7 |
| Selector and pistol handles | 8 |
| Shafts | 8 |
| Auxiliary contacts | 9 |

How to order

| | |
|----------------------------|-------|
| 30-60 A switches | 10-13 |
| 100 A switches | 14-17 |



CCD2 right front rotary switch



CCD2 left front rotary switch



CCD2 right side rotary switch



CCD2 left side rotary switch

Catalog symbols

| Symbol | Description |
|----------------------|--|
| CCD2-3-(30/60/100) | Switch only |
| CCD2R-3-(30/60/100) | Right front rotary, clockwise operated switch |
| CCD2RL-3-(30/60/100) | Left front rotary, clockwise operated switch |
| CCD2S-3-(30/60/100) | Right side rotary, clockwise operated switch |
| CCD2SL-3-(30/60/100) | Left side rotary, counterclockwise operated switch |

Description

The revolutionary Bussmann™ series Compact Circuit Disconnect (CCD2) is a non-fused UL® 98 branch circuit disconnect switch.

The 35 mm DIN-Rail mount CCD2 is available in a variety of 30, 60 and 100 amp configurations to meet many application needs, including rotary operation.

Application flexibility is extended with an optional multi-wire lug kit, featuring finger-safe shrouds, that provides three additional wire ports on each pole for power distribution applications.

Another is the NO/NC auxiliary contacts accessory that easily integrates into many monitoring systems.

Front and side rotary operated versions are easily applied for through-the-door or through the left or right side operation to enhance safety.

Ratings

- Volts
 - 600 Vac
 - 125 Vdc*
- Amps
 - 30 A
 - 60 A
 - 100 A
- SCCR
 - 10 kA RMS Sym.
 - 200 kA when protected with upstream Bussmann series Class J fuses with equivalent amp rating

* Switch amp rating and load current dependent, see catalog number table for details.

Poles

- 3-poles catalog number dependent

Agency information

- UL 98 Listed, Guide WHTY, File E302370
- cULus to Canadian Standard 22.2 No. 4-04, Guide WHTY7, File 302370
- RoHS compliant
- CE

Conductors/terminals

- 75°C Cu only, see conductor tables for size, type and torque information
- Box lug, single/dual conductor
- Fork terminal suitable for line, load or accessory connection, max. 30 A suitable for use with:
 - 10-24 screw for 30 and 60 A switches
 - 1/4-28 screw for 100 A switches
- Multi-wire lug kit — see accessories for details

Storage and operating temperature

- - 20°C to 75°C (-4°F to 167°F)*

* For fuse performance under or above 25°C, consult fuse performance derating charts in the Bussmann Division publication no. 3002, titled Selecting Protective Devices (SPD)

Lockout/tagout provisions

- 1/4" lock

Minimum enclosure size

- Switch 10" x 8" x 6" (254 x 203 x 152 mm)
- Switch with auxiliary contacts 14" x 12" x 6" (356 x 305 x 152 mm)

Mounting

- 35 mm DIN-Rail

Accessories

- Multi-wire lug kit with terminal shrouds
- Selector and pistol handles for use with rotary operated switches
- 8 mm shafts for use with selector and pistol handles
- Auxiliary contacts

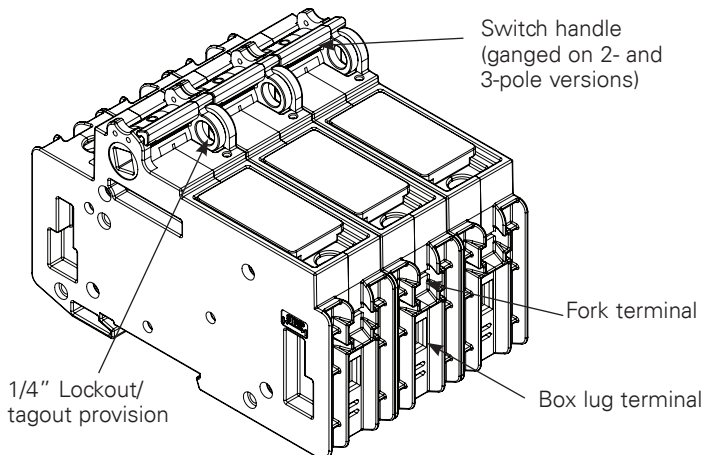
Carton quantity and shipping weight

| Item | Poles | Weight lbs (kg) |
|------------------------------------|-------|-----------------|
| Switch only | 12 | 2.84 (1.29) |
| Switch with side rotary mechanism | 3 | 1.12 (509) |
| Switch with front rotary mechanism | 3 | 1.18 (0.537) |

Features

- Same footprint as fusible CCP2-CF allows for design flexibility
- Extremely compact design at 25.4 mm (1 inch) wide per pole
- 10 kA short-circuit current rating that can be raised to 200 kA when protected by upstream Bussmann series Class J fuses of equivalent amp rating
- Disconnect rated to provide means for load isolation
- Full voltage rated at 600 Vac
- 125 Vdc* ratings to meet specialized applications
- UL 98 Listed and suitable for branch circuit disconnect
- Horsepower rated for motor applications
- Complies with UL 98 and Canadian Standard 22.2 No. 4-04, Guide WHTY7, File 302370 to cULus
- IP20 finger-safe construction with 10 AWG (6 mm²) wire or larger
- Padlockable for lockout/tagout procedures with 1/4" lock
- Rotary operated versions provide for through-the-door and through-the-side operation flexibility and enhanced safety with:
 - Right front switch operation
 - Left front switch operation
 - Right side switch operation
 - Left side switch operation
- Optional selector and pistol handles available for use with rotary operated versions
- Multi-wire lug kit with terminal shrouds allows for power distribution to multiple loads. Each lug has three ports rated for single and dual wires (see lug kit in accessories for conductor and torque details).

* Switch amp rating and load current dependent, see catalog number table for details.

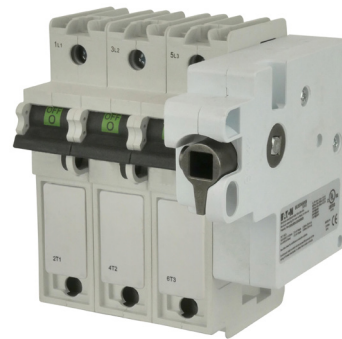


Rotary operating switch versions



Left front rotary switch

Clockwise operating handles



Right front rotary switch

Clockwise operating handles



Right side rotary switch

Clockwise operating handles



Left side rotary switch

Counterclockwise operating handles

Catalog numbers

| Catalog no. | Poles | Description | Volts | SCCR | Max Hp rating (Vac) | | |
|-------------------------|-------|--|-------------------|----------|---------------------|-----|-----|
| | | | | | 240 | 480 | 600 |
| 30 amp switches | | | | | | | |
| CCD2-3-30 | | Switch only | | | | | |
| CCD2R-3-30 | | Right front rotary, clockwise operated switch | | | | | |
| CCD2RL-3-30 | 3 | Left front rotary, clockwise operated switch | 600 Vac/125 Vdc | 10 kA AC | 5 | 15 | 10 |
| CCD2S-3-30 | | Right side rotary, clockwise operated switch | | | | | |
| CCD2SL-3-30 | | Left side rotary, counterclockwise operated switch | | | | | |
| 60 amp switches | | | | | | | |
| CCD2-3-60 | | Switch only | | | | | |
| CCD2R-3-60 | | Right front rotary, clockwise operated switch | | | | | |
| CCD2RL-3-60 | 3 | Left front rotary, clockwise operated switch | 600 Vac/125 Vdc* | 10 kA AC | 7.5 | 20 | 10 |
| CCD2S-3-60 | | Right side rotary, clockwise operated switch | | | | | |
| CCD2SL-3-60 | | Left side rotary, counterclockwise operated switch | | | | | |
| 100 amp switches | | | | | | | |
| CCD2-3-100 | | Switch only | | | | | |
| CCD2R-3-100 | | Right front rotary, clockwise operated switch | | | | | |
| CCD2RL-3-100 | 3 | Left front rotary, clockwise operated switch | 600 Vac/125 Vdc** | 10 kA AC | 20 | 50 | 40 |
| CCD2S-3-100 | | Right side rotary, clockwise operated switch | | | | | |
| CCD2SL-3-100 | | Left side rotary, counterclockwise operated switch | | | | | |

* 125 Vdc for loads up to 40 A, 24 Vdc for loads from 41 to 60 A.

** 125 Vdc for loads up to 80 A, 24 Vdc for loads from 11 to 100 A.

30 and 60 amp switch box lug terminal conductor data

| Wire type | AWG range | Class | Quantity | Torque N·m (lb-in) |
|-----------|-----------|---------------------------------|-------------|--------------------|
| 75°C Cu | 4-6 | Stranded, Class B to K | Single | 3.95 (35) |
| | 8-18 | | | 2.26 (20) |
| | 6-8 | Stranded, Class B/C | Dual | 3.39 (30) |
| | | | | Stranded, Class K |
| | 10-18 | Stranded, Class B to K | Single/dual | 2.26 (20) |
| | 10-18 | Solid | | 2.26 (20) |
| | 4-18 | Stranded, UL ferrule, Class B/C | Twin† | 3.39 (30) |
| | | | | 6-18 |
| | 4-18 | Stranded, UL ferrule, Class K | Twin† | 2.82 (25) |
| | | | | 6-18 |

† Two stranded conductors placed in one UL Listed twin ferrule.

100 amp switch box lug terminal conductor data

| Wire type | AWG range | Class | Quantity | Torque N·m (lb-in) |
|-----------|---------------------|---------------------------------|-----------|--------------------|
| 75°C Cu | 12-18 | Stranded, Class B to K | Single | 2.26 (20) |
| | 10 | | | 2.82 (25) |
| | 8 | Stranded, UL ferrule, Class B/C | Twin† | 4.52 (40) |
| | 4-6 | | | 5.08 (45) |
| | 1-3 | Stranded, Class B to K | Dual | 6.21 (55) |
| | 3-12 | | | 3.95 (35) |
| | 12-18 | Stranded, UL ferrule, Class B/C | Single | 2.26 (20) |
| | 10 | | | 3.95 (35) |
| | 1-8 | Stranded, UL ferrule, Class B/C | Twin† | 4.52 (40) |
| | 10-18 | | | 2.26 (20) |
| | 6-8 | Solid | Dual | 2.82 (25) |
| | 10-18 | | | 2.26 (20) |
| | 10-18 | Class K | Single | 2.26 (20) |
| | 8-18 | | | 2.26 (20) |
| | 1-6 | Class K | Dual | 3.39 (30) |
| | 3-10 | | | 5.08 (45) |
| | 8-18 | Class K, UL ferrule | Single | 2.26 (20) |
| | 1-6 | | | 3.39 (30) |
| 6-18 | Class K, UL ferrule | Twin | 2.26 (20) | |
| 6-18 | | | 2.26 (20) | |

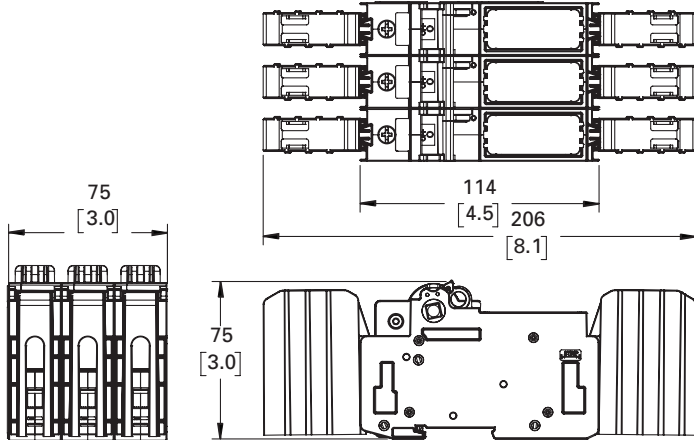
† Two stranded conductors placed in one UL Listed twin ferrule.

Lineside and loadside fork terminal

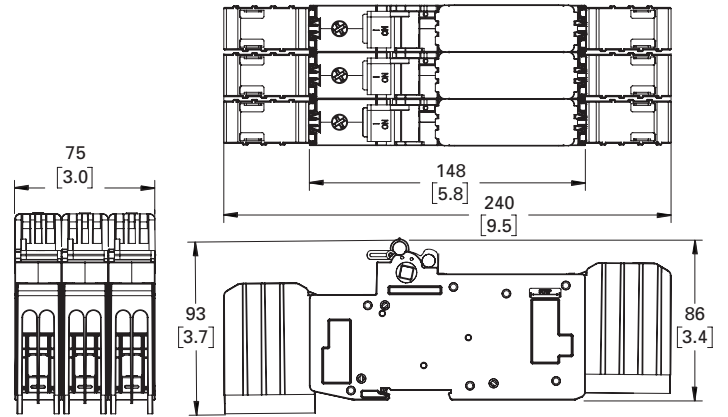
- Max 30 A suitable with #8-32 UNC screw

Dimensions – mm (in)

Switch (shown with optional terminal shrouds)

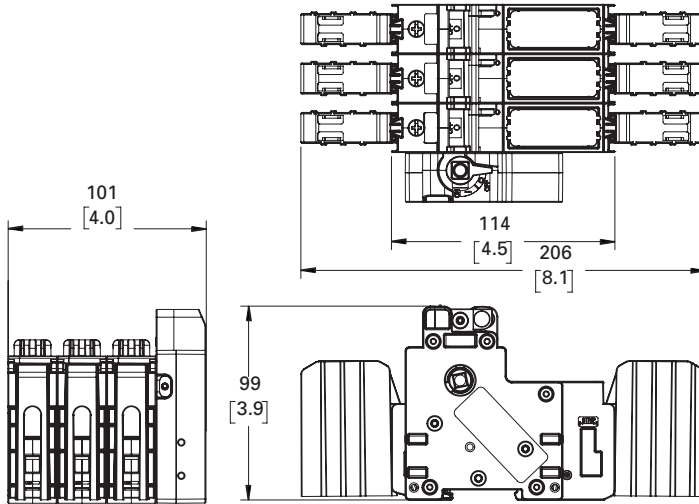


30 and 60 amp switches

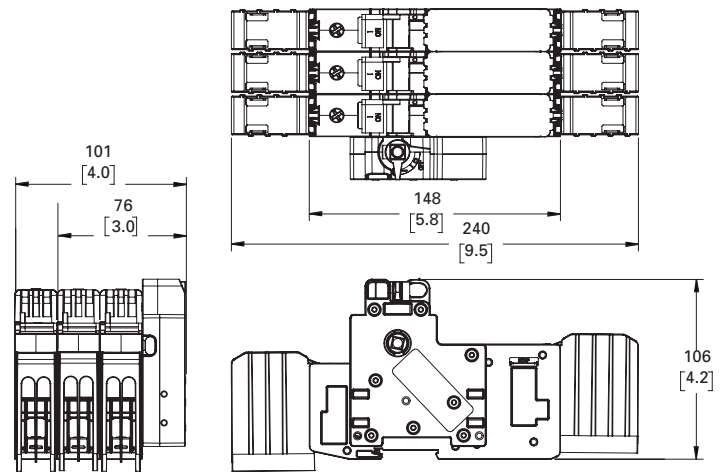


100 amp switch

Left front rotary switches (shown with optional terminal shrouds)

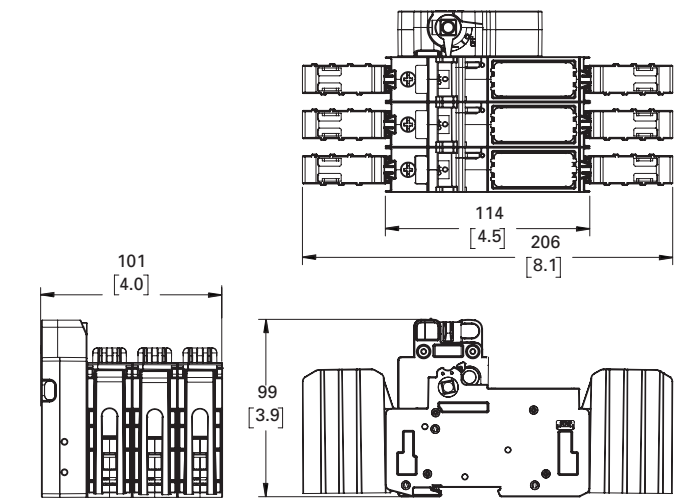


30 and 60 amp switches

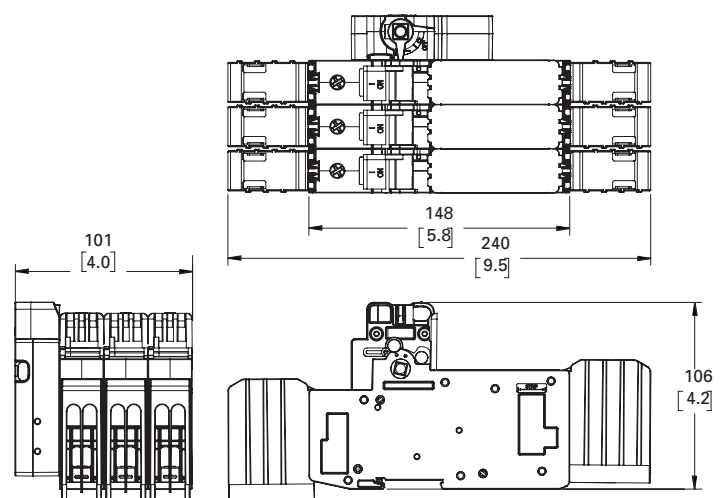


100 amp switch

Right front rotary switches (shown with optional terminal shrouds)

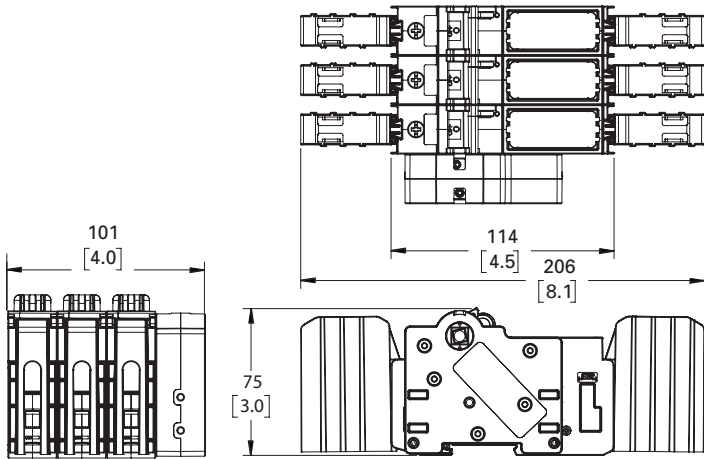


30 and 60 amp switches

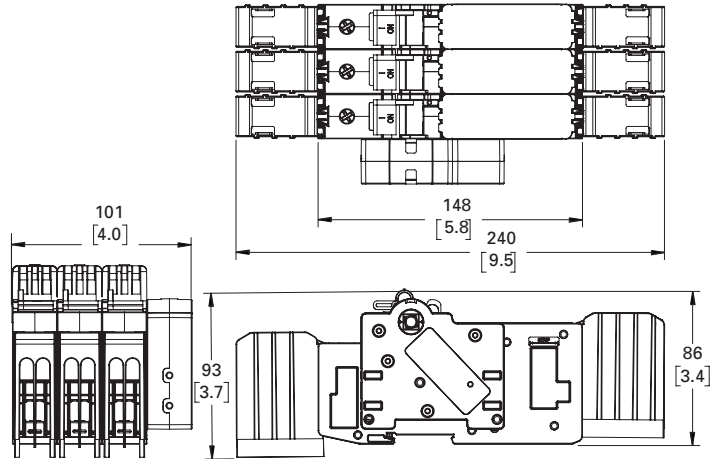


100 amp switch

Left side rotary switches (shown with optional terminal shrouds)

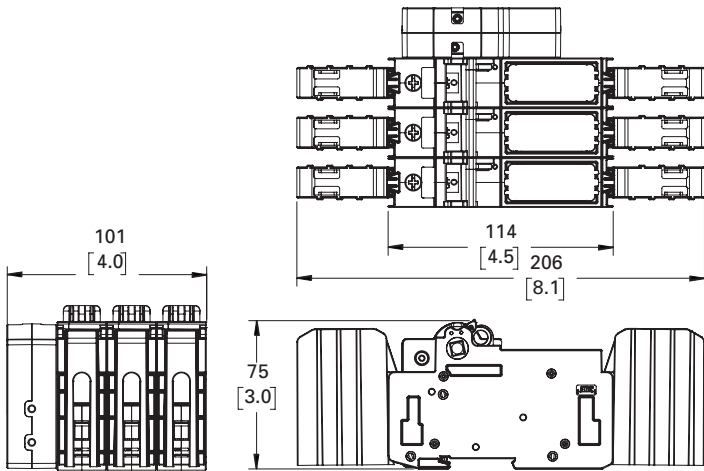


30 and 60 amp switches

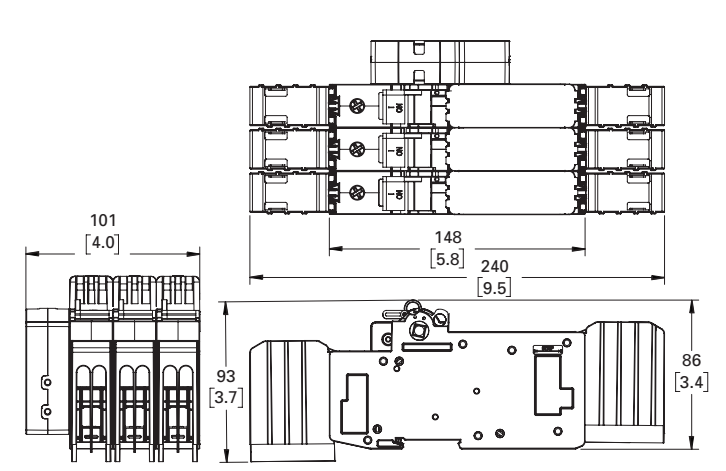


100 amp switch

Right side rotary switches (shown with optional terminal shrouds)



30 and 60 amp switches



100 amp switch

Multi-wire lug kits

Catalog numbers

- CCP2-MW1-3 (30 and 60 A switches only)
- CCP2-MW-1-6 (100 A switches only)

Description

The multi-wire lug kit permits expanding each box lug terminal on the switch into a three-port (30 and 60 A switches) or six-port (100 A switches) terminal for power distribution applications.

Each multi-wire lug kit comes with three lugs and three terminal shrouds. Shrouds provide finger-safe protection when properly installed.

Lugs may be mounted on either the loadside or lineside to meet various application needs.

Ports on any one lug accept any conductor combination listed, e.g., one of the ports may have dual 14 AWG wires and the other two ports single 10 AWG wires.

Ratings

- Volts 600 V
- Amps
 - 60 A max (CCP2-MW1-3)
 - 100 A max (CCP2-MW1-6)
- SCCR 200 kA

Agency information

- UL Recognized
- RoHS compliant

Storage and operating temperature

- - 20°C to 75°C (-4°F to 167°F)

Multi-wire lug conductor information

- 75°C Cu/AL
- AWG size and quantity per port - see table below

| Type | AWG range | Class | Quantity | Torque N•m (lb-in) |
|-------|-----------|--------------------------|--------------|--------------------|
| Cu/Al | 4-6 | Stranded, Class B/C | Single | 3.95 (35) |
| | 8 | | | 2.82 (25) |
| Cu | 10-14 | Stranded, Class B/C | Single/dual* | 2.26 (20) |
| | 10-14 | | | Solid |
| | 8 | UL ferrule, Class B to K | Single/twin† | 2.82 (25) |
| | 10-14 | | | 2.26 (20) |

* Dual wire to be same size and type.

† Two stranded conductors placed in one UL Listed twin ferrule.

CCD2 box lug torque for multi-wire lugs

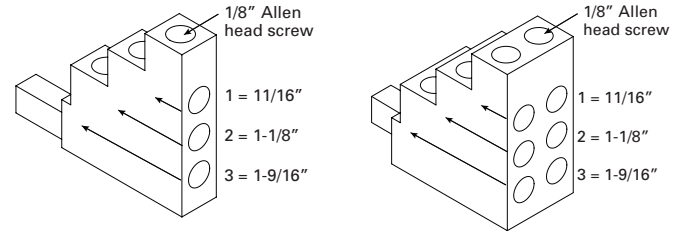
- 30/60 A lug, 4.52 N•m (40 lb-in)
- 100 A lug, 5.09 N•m (45 lb-in)

Carton quantity and shipping weight

| Catalog no. | Description/application | Qty. | Weight lbs (kg) |
|-------------|---------------------------|----------------------|-----------------|
| CCP2-MW1-3 | Lug kit, 30/60 A switches | 3 lugs and 3 shrouds | 0.36 (0.16) |
| CCP2-MW-1-6 | Lug kit, 100 A switches | 3 lugs and 3 shrouds | 0.49 (0.22) |
| CCP2-TS1-3 | Shrouds, 30/60 A switches | 3 shrouds | 0.17 (0.077) |
| CCP2-TS1-6 | Shrouds, 100 A switches | 3 shrouds | 0.2 (0.09) |

Multi-wire lugs mount in switch box lug terminals to provide three additional wire ports per pole. Lugs can be mounted on the switch lineside or loadside. Each multi-wire lug kit comes with three lugs and three shrouds.

Wire insulation strip lengths



Strip back wire insulation to the lengths as indicated in the illustration above and the table below.

| Lug port | Strip wire insulation back (inch) |
|----------|-----------------------------------|
| 1 | 11/16 |
| 2 | 1-1/8 |
| 3 | 1-9/16 |

Selector and pistol handles

Catalog symbol

- CCP2-H4X-

Description

Selector and pistol handles for use with any 2- and 3-pole CCD2 rotary operated switch. Both selector and pistol handles are available in black/grey and red/yellow colors and clockwise/counterclockwise operating modes. The application of clockwise and counterclockwise operation is dependent upon the CCD2 rotary switch configuration. Installation requires an 8 mm shaft (ordered separately).

Each handle is rated NEMA 4X and capable of accepting up to three (3) 1/4" diameter shank locks for lockout/tagout in the OFF position. They can also be field configured for lock-on.

In application, only the clockwise operating handles in combination with either the left front or right front rotary switches provide a door interlock means to ensure the enclosure door remains shut during lockout/tagout or lock-on. Both clockwise and counterclockwise operating handles when mounted on the enclosure's left or right side do NOT provide a door interlock means.

See the catalog number table below for applicable rotary switch, handle and shaft combinations.

Carton quantity and shipping weight

| Handle style | Qty. | Weight lbs (kg) |
|----------------------|------|-----------------|
| All selector handles | 1 | 1.1 (0.5) |
| All pistol handles | | 1.3 (0.59) |

Handle shafts

Catalog symbol

- CCP2-SH1-

Description

Eight millimeter square shafts available in 290 and 490 millimeter (11.5 and 19.3 inch) lengths. Shafts are indexed to ensure handle/switch orientation for correct operation. Shafts are cut to length when installed.

Packaging

- Each shaft is packaged separately

Agency information

- UL Listed, Guide DIHS/DIHS7, File E140305
- NEMA 4X rating
- RoHS compliant
- CE

Storage and operating temperature

- -20°C to 75°C (-4°F to 167°F)

Packaging

- Each handle is packaged individually as a kit

Selector handles



Pistol handles



Clockwise

- CCP2-H4X-B1
- CCP2-H4X-R1

Counterclockwise

- CCP2-H4X-B1L
- CCP2-H4X-R1L

Clockwise

- CCP2-H4X-B2
- CCP2-H4X-R2

Counterclockwise

- CCP2-H4X-B2L
- CCP2-H4X-R2L

Handle shafts



| For these switch catalog numbers | Description/operation | Order these handle catalog numbers (description) | Order either shaft catalog number |
|----------------------------------|------------------------------------|--|-----------------------------------|
| CCD2-3-30 | Switch only | | |
| CCD2-3-60 | | | |
| CCD2-3-100 | | | |
| CCD2R-3-30 | Right front rotary, clockwise | • CCP2-H4X-B1 (selector, black/grey) | |
| CCD2R-3-60 | | • CCP2-H4X-R1 (selector, red/yellow) | |
| CCD2R-3-100 | | | |
| CCD2RL-3-30 | Left front rotary, clockwise | • CCP2-H4X-B2 (pistol, black/grey) | |
| CCD2RL-3-60 | | • CCP2-H4X-R2 (pistol, red/yellow) | • CCP2-SH1-290 (11.5"/290 mm) |
| CCD2RL-3-100 | | | • CCP2-SH1-490 (19.3"/490 mm) |
| CCD2S-3-30 | Right side rotary, clockwise | | |
| CCD2S-3-60 | | | |
| CCD2S-3-100 | | | |
| CCD2SL-3-30 | Left side rotary, counterclockwise | • CCP2-H4X-B1L (selector, black/grey) | |
| CCD2SL-3-60 | | • CCP2-H4X-R1L (selector, red/yellow) | |
| CCD2SL-3-100 | | • CCP2-H4X-B2L (pistol, black/grey) | |
| | | • CCP2-H4X-R2L (pistol, red/yellow) | |

Auxiliary contacts

Catalog numbers

- CCP2-AUX (30 and 60 A switches)
- CCP2-AUX-100 (100 A switches)

Description

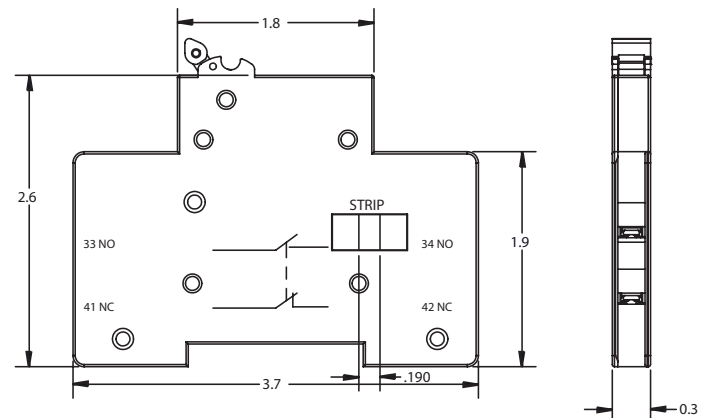
NO+NC contact output to indicate the switching mechanism status on the CCD2. A single unit can be mounted on the CCD2 switch and the left front/left side rotary operated switches.



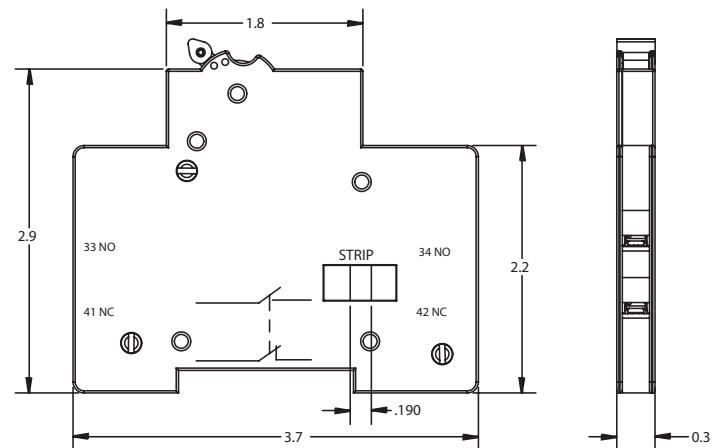
Ratings

- Amps up to 5 A
- Volts up to 240 Vac
- NC/NO contacts are closed/open when the CCD2 switch is in the "ON" position (closed)

Dimensions – in



CCP2-AUX



CCP2-AUX-100

Note: CCP2-AUX and CCP2-AUX-100 **CANNOT** be mounted on the right front and right side rotary operated versions.

| Catalog no. | Switch | Description | Max per CCD2* | Signal output |
|--------------|--------------|--|---------------|---------------|
| CCP2-AUX | 30/60 A only | Auxiliary contacts NO+NC for switch status | 1 per CCD2 | 5 A / 240 Vac |
| CCP2-AUX-100 | 100 A only | | | |

* The CCP2-AUX CANNOT be mounted on the right front and right side rotary operated versions. De-energize all circuits and follow all prescribed safety procedures before installing or removing the auxiliary contact device.

Agency information

- UL 98 Recognized, Guide WHTY2, File E155130
- cURus to Canadian, Standard 22.2 No. 4-04
- IEC 60947-5-1 AC-15 (catalog no. CCP2-AUX)
- IP20 finger-safe in installed state
- RoHS compliant
- CE

Wiring

- 16-20 AWG (0.5 to 1.5 mm²) wire
- Torque 0.56 N•m (5 lb-in)
- Use only 75°C Cu wire

Packaging

- CCP2-AUX and CCP2-AUX-100 are packaged individually

Installation technique

- Mounts on the CCD2's right side ONLY and mechanically interlocks with the CCD2 switch handle with provided hardware. The CCP2-AUX and CCP2-AUX-100 CANNOT be mounted on the right front and right side rotary operated versions.

Storage and operating temperature





- -20°C to 75°C (-4°F to 167°F)

Carton quantity and shipping weight

| Catalog no. | Application | Qty. | Weight lbs (kg) |
|--------------|-------------------------------|------|-----------------|
| CCP2-AUX | For 30 and 60 A switches only | 1 | 0.14 (0.063) |
| CCP2-AUX-100 | For 100 A switches only | | |

30 and 60 A CCD2 Switches

For a complete assembly, select from the following required and optional components and accessories.

| | | | |
|---|--|----------------------|--|
| Required | Catalog no. | | |
| | Switches | Amps | Poles |
| | Switch (used alone or with flange cable or flange rod handles) | | |
|  | CCD2-3-30 | 30 | 3 |
| | CCD2-3-60 | 60 | |
| And | | | |
| Optional | Lug kits | | Description |
| |  | CCP2-MW1-3 | 3-port multi-wire, 75°C Cu/Al, 6-14, includes terminal shields, pack of 3 |
| And | | | |
| Accessories | Terminal shrouds | | Description |
| |  | CCP2-TS1-3 | Pack of 3 |
| | Auxiliary contacts | | Description — mounts on right side, cannot be used with flange rod handle |
|  | CCP2-AUX | NO + NC, 5 A / 240 V | |






30 and 60 A CCD2 Counterclockwise switches



For a complete assembly, select from the following required and optional components and accessories.

| | Catalog no. | | | |
|--------------|---|----------------------|---|-------------|
| | Switches | Amps | Poles | |
| | Left side rotary | | | |
| Required |  | CCD2SL-3-30 | 30 | 3 |
| | | CCD2SL-3-60 | 60 | |
| | And | | | |
| |  | Rotary handles | Description | NEMA rating |
| | | CCP2-H4X-B1L | Selector handle — black/grey | 4X |
| | | CCP2-H4X-R1L | Selector handle — red/yellow | |
| | | CCP2-H4X-B2L | Pistol handle — black/grey | |
| | | CCP2-H4X-R2L | Pistol handle — red/yellow | |
| | And | | | |
| |  | Shafts (8 mm) | Length | |
| CCP2-SH1-290 | | 290 mm | | |
| CCP2-SH1-490 | | 490 mm | | |
| And | | | | |
| Optional |  | Lug kits | Description | |
| | | CCP2-MW1-3 | 3-port multi-wire, 75°C Cu/Al, 6-14, includes terminal shields, pack of 3 | |
| And | | | | |
| Accessories |  | Terminal shrouds | Description | |
| | | CCP2-TS1-3 | Pack of 3 | |
| |  | Auxiliary contacts | Description — mounts on right side | |
| | CCP2-AUX | NO + NC, 5 A / 240 V | | |

30 and 60 A CCD2 Clockwise rotary switches





For a complete assembly, select from the following required and optional components and accessories.

| | | | | |
|---|---|----------------------------|---|--------------------|
| Required | Catalog no. | | | |
| | Switches | Amps | Poles | |
| | Right front rotary | | | |
| |  | CCD2R-3-30 | 30 | 3 |
| | | CCD2R-3-60 | 60 | 3 |
| | Left front rotary | | | |
| |  | CCD2RL-3-30 | 30 | 3 |
| | | CCD2RL-3-60 | 60 | |
| | Right side rotary | | | |
| |  | CCD2S-3-30 | 30 | 3 |
| | | CCD2S-3-60 | 60 | 3 |
| | And | | | |
| |  | Rotary handles | Description | NEMA rating |
| | | CCP2-H4X-B1 | Selector handle — black/grey | 4X |
| | | CCP2-H4X-R1 | Selector handle — red/yellow | |
| | CCP2-H4X-B2 | Pistol handle — black/grey | | |
| | CCP2-H4X-R2 | Pistol handle — red/yellow | | |
| And | | | | |
|  | Shafts (8 mm) | Length | | |
| | CCP2-SH1-290 | 290 mm | | |
| | CCP2-SH1-490 | 490 mm | | |
| And | | | | |
| Optional |  | Lug kits | Description | |
| | | CCP2-MW1-3 | 3-port multi-wire, 75°C Cu/Al, 6-14, includes terminal shields, pack of 3 | |

| And | | | |
|--------------------|---|---------------------------|---|
| Accessories |  | Terminal shrouds | Description |
| | | CCP2-TS1-3 | Pack of 3 |
| |  | Auxiliary contacts | Description — use only with CCD2RL-3-30 and CCP2RL-3-60 switches |
| | | CCP2-AUX | NO + NC, 5 A / 240 V |






100 A CCD2 Switch

For a complete assembly, select from the following required and optional components and accessories.

| | | | |
|---|--|----------------------|--|
| Required | Catalog no. | | |
| | Switches | Amps | Poles |
| | Switch (used alone or with flange cable or flange rod handles) | | |
|  | CCD2-3-100 | 100 | 3 |
| And | | | |
| Optional | Lug kits | | Description |
| |  | CCP2-MW1-6 | 6-port multi-wire, 75°C Cu/Al, 6-14, includes terminal shields, pack of 3 |
| And | | | |
| Accessories | Terminal shrouds | | Description |
| |  | CCP2-TS1-6 | Pack of 3 |
| | Auxiliary contacts | | Description — mounts on right side, cannot be used with flange rod handle |
|  | CCP2-AUX-100 | NO + NC, 5 A / 240 V | |



100 A CCD2 Counterclockwise switch



For a complete assembly, select from the following required and optional components and accessories.

| | Catalog no. | | | |
|--------------|---|----------------------------|---|-------------|
| | Switches | Amps | Poles | |
| | Left side rotary | | | |
| Required |  | CCD2SL-3-100 | 100 | 3 |
| | And | | | |
| |  | Rotary handles | Description | NEMA rating |
| | | CCP2-H4X-B1L | Selector handle — black/grey | 4X |
| | | CCP2-H4X-R1L | Selector handle — red/yellow | |
| | | CCP2-H4X-B2L | Pistol handle — black/grey | |
| | CCP2-H4X-R2L | Pistol handle — red/yellow | | |
| | And | | | |
| |  | Shafts (8 mm) | Length | |
| | | CCP2-SH1-290 | 290 mm | |
| CCP2-SH1-490 | | 490 mm | | |
| And | | | | |
| Optional |  | Lug kits | Description | |
| | | CCP2-MW1-6 | 6-port multi-wire, 75°C Cu/Al, 6-14, includes terminal shields, pack of 3 | |
| And | | | | |
| Accessories |  | Terminal shrouds | Description | |
| | | CCP2-TS1-6 | Pack of 3 | |
| |  | Auxiliary contacts | Description — mounts on sight side | |
| CCP2-AUX-100 | NO + NC, 5 A / 240 V | | | |

100 A CCD2 Clockwise rotary switches

For a complete assembly, select from the following required and optional components and accessories.

| | | | | |
|---|---|------------------------------|---|--------------------|
| Required | Catalog no. | | | |
| | Switches | Amps | Poles | |
| | Right front rotary | | | |
| |  | CCD2R-3-100 | 100 | 3 |
| | Left front rotary | | | |
| |  | CCD2RL-3-100 | 100 | 3 |
| | Right side rotary | | | |
| |  | CCD2S-3-100 | 100 | 3 |
| | And | | | |
| |  | Rotary handles | Description | NEMA rating |
| CCP2-H4X-B1 | | Selector handle — black/grey | 4X | |
| CCP2-H4X-R1 | | Selector handle — red/yellow | | |
| CCP2-H4X-B2 | | Pistol handle — black/grey | | |
| CCP2-H4X-R2 | | Pistol handle — red/yellow | | |
| And | | | | |
|  | Shafts (8 mm) | Length | | |
| | CCP2-SH1-290 | 290 mm | | |
| | CCP2-SH1-490 | 490 mm | | |
| And | | | | |
| Optional |  | Lug kits | Description | |
| | | CCP2-MW1-6 | 6-port multi-wire, 75°C Cu/Al, 6-14, includes terminal shields, pack of 3 | |

| And | | | |
|--------------------|---|---------------------------|--|
| Accessories |  | Terminal shrouds | Description |
| | | CCP2-TS1-6 | Pack of 3 |
| |  | Auxiliary contacts | Description — use only with CCD2RL-3-100 switch |
| | | CCP2-AUX-100 | NO + NC, 5 A / 240 V |

The only controlled copy of this data sheet is the electronic read-only version located on the Eaton network drive. All other copies of this document are by definition uncontrolled. This bulletin is intended to clearly present comprehensive product data and provide technical information that will help the end user with design applications. Eaton reserves the right, without notice, to change design or construction of any products and to discontinue or limit distribution of any products. Eaton also reserves the right to change or update, without notice, any technical information contained in this bulletin. Once a product has been selected, it should be tested by the user in all possible applications.

Eaton
1000 Eaton Boulevard
Cleveland, OH 44122
United States
Eaton.com

Bussmann Division
114 Old State Road
Ellisville, MO 63021
United States
Eaton.com/bussmannseries

© 2018 Eaton
All Rights Reserved
Printed in USA
Publication No. 10004 - BU-MC18053
August 2018

Eaton and Bussmann are valuable trademarks of Eaton in the US and other countries. You are not permitted to use the Eaton trademarks without prior written consent of Eaton.

CSA is a registered trademark of the Canadian Standards Group
UL is a registered trademark of the Underwriters Laboratories, Inc.

For Eaton's Bussmann series
product information,
call **1-855-287-7626** or visit:
Eaton.com/bussmannseries

Follow us on social media to get the latest product and support information.

