



## Selector switch, 2N/O, 3 positions, front mount



Powering Business Worldwide™

**Part no.** M22-WRK3/K20  
**Article no.** 216520

**Catalog No.** M22-WRK3-K20Q

### Delivery programme

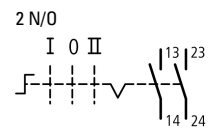
Product range

Basic function  
Single unit/Complete unit  
Description

Function  
Function  
Contacts  
N/O = Normally open  
Contact sequence

Front ring  
Connection to SmartWire-DT

RMQ-Titan (drilling dimensions 22.5 mm)  
Selector switch actuators  
Complete unit  
Thumb-grip colour black  
Stay-put/spring-return function, can be changed with coding parts M22-XC-Y  
Switch positions 0, I and II correspond with the position of the actuator as viewed from the front.  
3 positions, maintained  
Stay-put



Bezel: Silver  
no

#### Notes

Switch positions 0, I and II correspond with the position of the actuator as viewed from the front.

### Approvals

Product Standards  
UL File No.  
UL Category Control No.  
CSA File No.  
CSA Class No.  
North America Certification  
Degree of Protection

IEC/EN 60947-5; UL 508; CSA-C22.2 No. 14-05; CSA-C22.2 No. 94-91; CE marking  
E29184  
NKCR  
012528  
3211-03  
UL listed, CSA certified  
UL/CSA Type 3R, 4X, 12, 13

### General

Standards

Lifespan, mechanical

Operating frequency

Operating torque (screw terminals)

Protection type

Climatic proofing

Ambient temperature

Open

Mounting position

Mechanical shock resistance

Standards		IEC/EN 60947 VDE 0660
Lifespan, mechanical	Operations x 10 <sup>6</sup>	> 0.1
Operating frequency	Operations/ h	2000
Operating torque (screw terminals)	Nm	0.3
Protection type		IP66
Climatic proofing		Damp heat, constant, to IEC 60068-2-78 Damp heat, cyclic, to IEC 60068-2-30
Ambient temperature	°C	
Open	°C	- 25 - + 70
Mounting position		As required
Mechanical shock resistance	g	30 Shock duration 11 ms Sinusoidal according to IEC 60068-2-27

### Technical data ETIM 5.0

Low-voltage industrial components (EG000017) / Selector switch, complete (EC001029)  
Electric engineering, automation, process control engineering / Low-voltage switch technology / Command and alarm device / Selector switch, complete unit  
(ecl@ss8-27-37-12-43 [ACN984007])

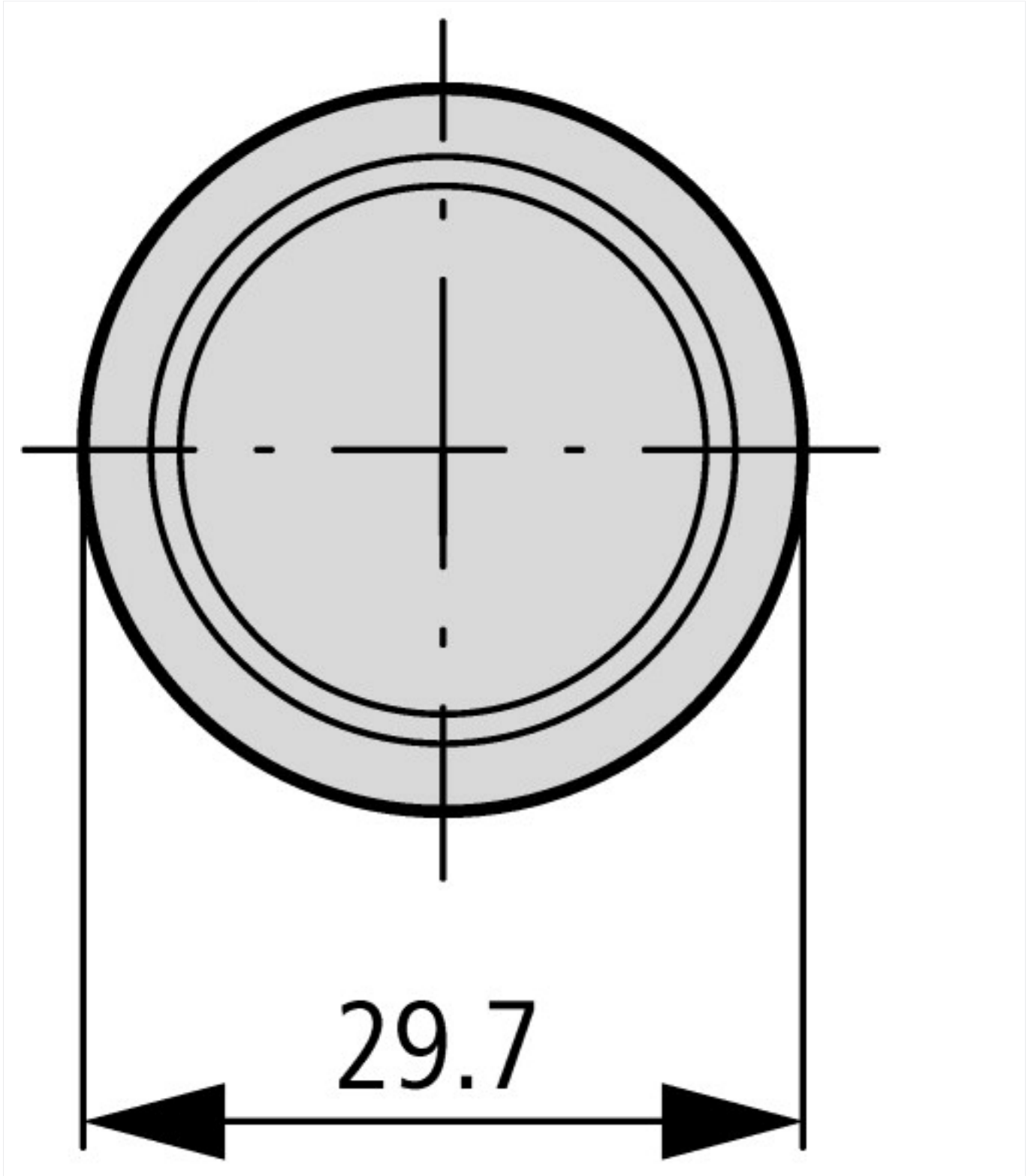
Number of switch positions  
Type of control element  
Suitable for illumination  
With lamp  
Colour button  
Hole diameter  
Width opening

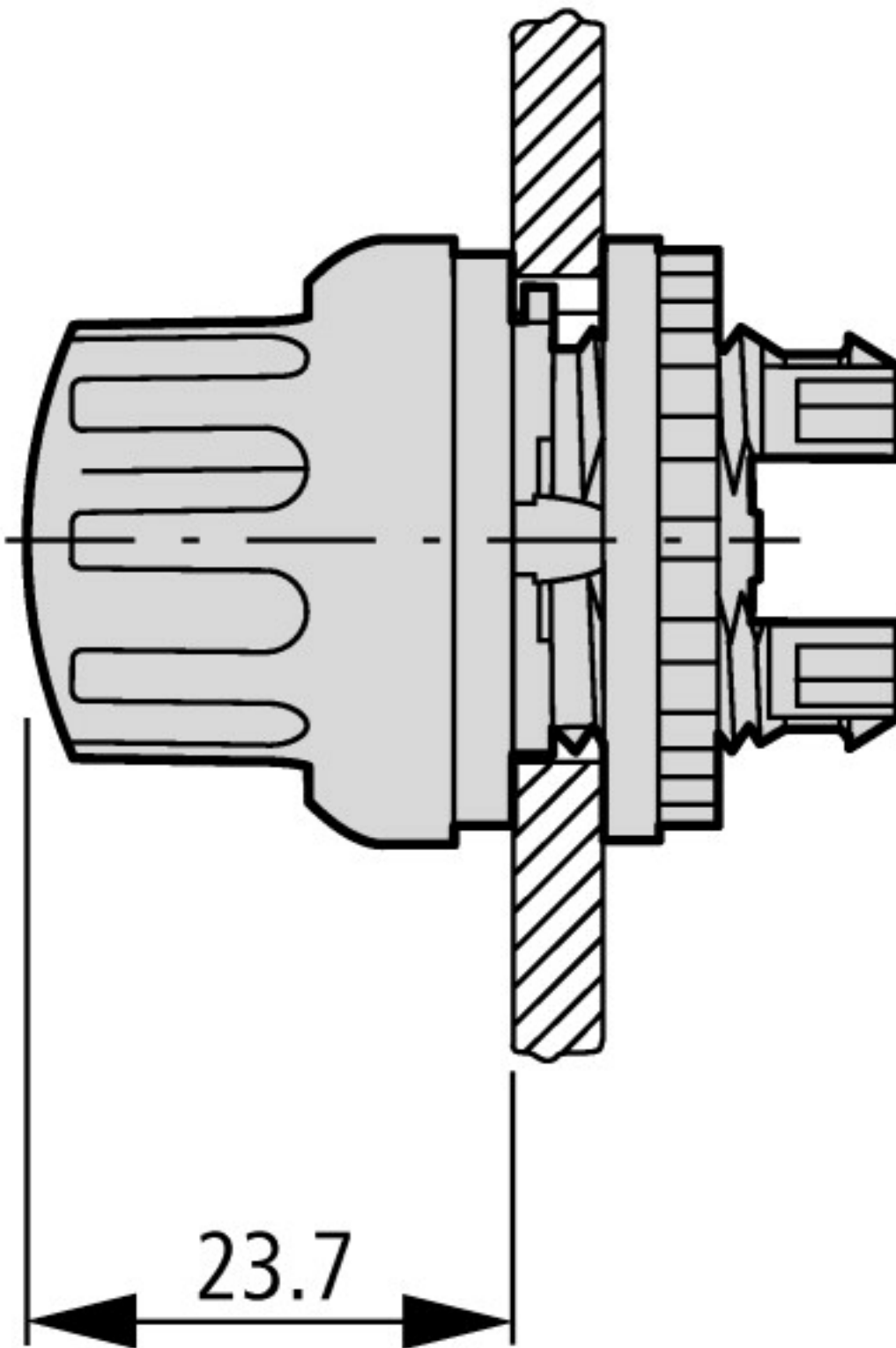
3  
Toggle  
No  
No  
Black  
22  
0

mm  
mm

Height meter opening	mm	0
Switching function latching		Yes
Spring-return		No
Degree of protection (IP)		IP66
Supply voltage	V	0 - 0
Number of contacts as normally open contact		2
Number of contacts as normally closed contact		0
Number of contacts as change-over contact		0
Type of electric connection		Screw connection
With front ring		Yes
Material front ring		Plastic
Colour front ring		Chrome

## Dimensions





**Additional product information (links)**

IL04716002Z (AWA1160-1745) RMQ-Titan System

IL04716002Z (AWA1160-1745) RMQ-Titan System

[ftp://ftp.moeller.net/DOCUMENTATION/AWA\\_INSTRUCTIONS/IL04716002Z2013\\_08.pdf](ftp://ftp.moeller.net/DOCUMENTATION/AWA_INSTRUCTIONS/IL04716002Z2013_08.pdf)