

The HT800 family of 30.5 mm push-button devices includes momentary, illuminated and mushroom-head push-buttons, selector switches, indicating lights and push-pull switches.

Features

- Anodized aluminum mounting rings
- Watertight double V-gasket seals
- Extended height bulbs
- Transparent housing contact blocks
- Color-coded contact blocks
- Gold-plated contacts (on low voltage contact block)
- Reliability ridge on movable contact
- Stackable screw-mounted contact blocks
- Contact blocks can be mounted in left/right or top/bottom positions
- Standard N.C. contact opens before N.O. contact closes (break before make operation)
- Bright and long lasting LED indicating lights in six colors
- Field convertible maintained selector switches from two-position to three-position and vice versa
- Field selectable knob/lever mounting positions – at any 22.5° increment

Benefits

- Corrosion resistant NEMA 4X finish
- Watertight and oil-tight NEMA 4, 13 ingress protection
- Increased side illumination of indicating lights and illuminated pushbuttons
- Easy visual inspection of contact conditions
- Easily identifiable N.O. (white) or N.C. (black) contact blocks
- Gold-plated contacts suitable for logic level circuits
- Reliability ridge penetrates contamination buildup on stationary contacts
- Left/right or top/bottom mounted contact blocks allow correct positioning in retrofit applications
- All-purpose selector switches are convertible and can rotate in 22.5° increments to suit panel layouts

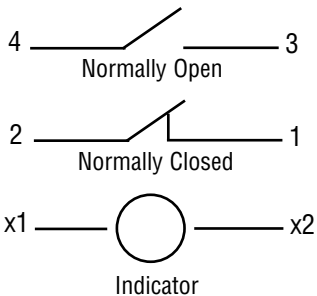
Standards and Certifications

- UL508, File No. E131568
- CSA C22.2 No. 14, File No. LR68551

Ingress Protection

- UL (NEMA) 1, 2, 3, 3R, 4, 4X, 12 and 13 when mounted in similarly rated enclosures

Typical Wiring





HT800 30mm Pushbuttons Specifications

Cutler-Hammer

HT800 — Specifications	
Mechanical Ratings	
Frequency of Operation	
Pushbuttons	6,000 Operations per hour
Selector Switches	3,000 Operations per hour
Push-Pull Operators	3,000 Operations per hour
Mechanical Endurance/Life	
Pushbuttons	10 x 10 ⁶ Operations 6K Ops/Hr with 6 NO on left and 6 NC on right
Selector Switches	250 x 10 ³ Operations 3K Ops/Hr with 2 NO on left and 2 NC on right
Push-Pull Operators	250 x 10 ³ Operations 3K Ops/Hr with 6 NO on left and 6 NC on right
Environmental Specifications	
Operating Temperature	10° to 140°F (-12° to 60°C)
Storage Temperature	-40° to 176°F (-40° to 80°C)
Altitude	6,562 ft. (2,000m)
Humidity	95% RH @ 60°C
Terminals	
Contact Blocks	#6-32 posi-drive saddle clamp type, 1 x 16 AWG to 2 x 14 AWG, 12 in-lbs max.
Light Units	#6-32 posi-drive saddle clamp type, 1 x 22 AWG to 2 x 14 AWG, 7 in-lbs max.

HT800 Standard Contact Blocks UL (NEMA) Rating				
Electrical Ratings Description/Function	Contact Type	Catalog Number	AC	DC
Standard N ormally O pen contact	NO	HT8A	A600	P600
Standard N ormally C losed contact	NC	HT8B	A600	P600
N ormally O pen E arly M ake Contact will make circuit before standard N O contact. DC ratings do not apply.	NOEM	HT8C	A600	—
N ormally C losed L ate B reak contact will open after standard N C contact. DC ratings do not apply.	NCLB	HT8D	A600	—
Logic level, low voltage N O contact. Gold plated contacts.	NO	HT8E	5V 1mA (minimum) 28V 500mA (maximum)	

UL (NEMA) A600 and P600 Ratings							
Description	Volts AC 50/60 Hz				Volts DC ¹		
	120	240	480	600	125	250	600
Make and Emerg. Interrupting Capacity (Amp)	60	30	15	12	1.1	0.55	0.2
Normal Load Break (Amp)	6	3	1.5	1.2	1.1	0.55	0.2
Thermal Current (Amp)	10	10	10	10	5	5	5
Voltamperes							
Make and Emerg. Interrupting Capacity	7200	7200	7200	7200	138 ²	138 ²	138 ²
Normal Load Break	720	720	720	720	138	138	138

Note: 1: DC ratings do not apply to NOEM (Normally Open Early Make) and NCLB (Normally Closed Late Break) contact blocks HT8C and HT8D.

2: Maximum make or break volt-amperes at 300V or less

EAT•N HT800 30mm Two-position Selector Switches

Cutler-Hammer



HT8JAH3A knob version



HT8JDH3A lever version

Contact Type	Operator Type M=Maintained S=Spring Return	Standard Black Knob Operator		Standard Black Lever Operator	
		Catalog Number	Price	Catalog Number	Price
No Contacts	M M	HT8JAH3A	\$23.00	HT8JDH3A	\$23.00
	M<S	HT8JNH3A	\$36.50	HT8JPH3A	\$36.50
1 N.O.	M M	*HT8JAH3AA5	\$32.50	*HT8JDH3AA5	\$32.50
	M<S	*HT8JNH3AA5	\$46.50	*HT8JPH3AA5	\$46.50

Switch Part Numbers	Contact Blocks		Cam Code 3A	
HT8JAH3A, HT8JNH3A, HT8JAH3AA5, HT8JNH3AA5, HT8JDH3A, HT8JPH3A, HT8JDH3AA5, HT8JPH3AA5 (Contact block configuration varies with part number)	Left	Right	Switch Position	
Two-position Selector Switch	N.O.	-----	X	0
	N.C.	-----	0	X
	-----	N.O.	0	X
	-----	N.C.	X	0
Note: AUTOMATIONDIRECT only offers cam code 3A for two position selector switches.			X = On	0 = Off

Notes: A grounding kit is included with each operator or switch assembly. Part numbers with an * are kitted from individual components at AUTOMATIONDIRECT. The individual components are picked and shipped in the same shipping box. Final assembly of the individual components must be done by the customer.

EAT•N HT800 30mm Three-position Selector Switches

Cutler-Hammer



HT8JBH1D knob version



HT8JEH1D lever version

Contact Type	Operator Type M=Maintained S=Spring Return	Standard Black Knob Operator		Standard Black Lever Operator	
		Catalog Number	Price	Catalog Number	Price
No Contacts	M M M	HT8JBH1D	\$23.00	HT8JEH1D	\$23.00
	M M < S	HT8JUH1D	\$36.50	HT8JVH1D	\$36.50
	S > M < S	HT8JXH1D	\$36.50	HT8JYH1D	\$36.50
2 N.O.	M M M	HT8JBH1DAA5	\$42.50	*HT8JEH1DAA5	\$42.50
	M M < S	*HT8JUH1DAA5	\$56.00	*HT8JVH1DAA5	\$56.00
	S > M < S	*HT8JXH1DAA5	\$56.00	*HT8JYH1DAA5	\$56.00

Switch Part Numbers	Contact Blocks		Cam Code 1D		
HT8JBH1D, HT8JUH1D, HT8JXH1D, HT8JBH1DAAD, HT8JUH1DAA5, HT8JXH1DAA5, HT8JEH1D, HT8JVH1D, HT8JYH1D, HT8JEH1DAA5, HT8JVH1DAA5, HT8JYH1DAA5 (contact block configuration varies with part number)	Left	Right	Switch Position		
Three-position Selector Switch	NO	-----	X	0	0
	NC	-----	0	X	X
	-----	NO	0	0	X
	-----	NC	X	X	0
	*NO-----	-----NO	X	0	X
	**NC-----	-----NC	0	X	0
* Indicates contact blocks wired in parallel ** Indicates contact blocks wired in series			X = On	0 = Off	

Note: AUTOMATIONDIRECT only offers cam code 1D for three-position selector switches.

Note: For additional contact blocks, see HT800 accessories in this section.

HT800 30mm Three-position Selector Switches

30.5 mm Selector Switch Installation and Mounting Instructions - inches (mm)

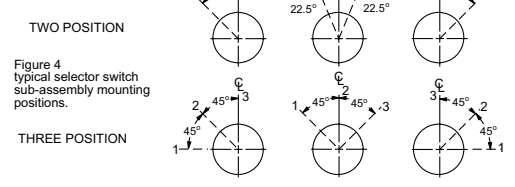
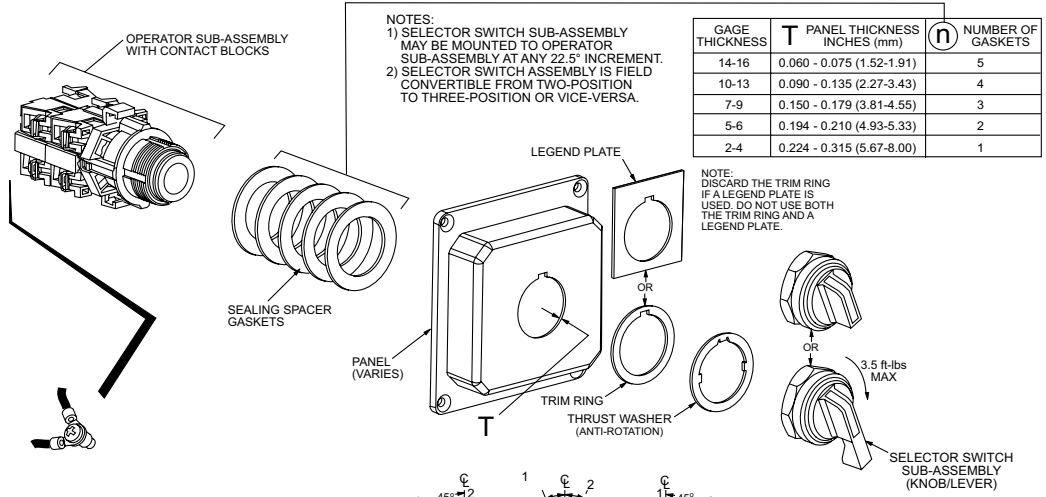
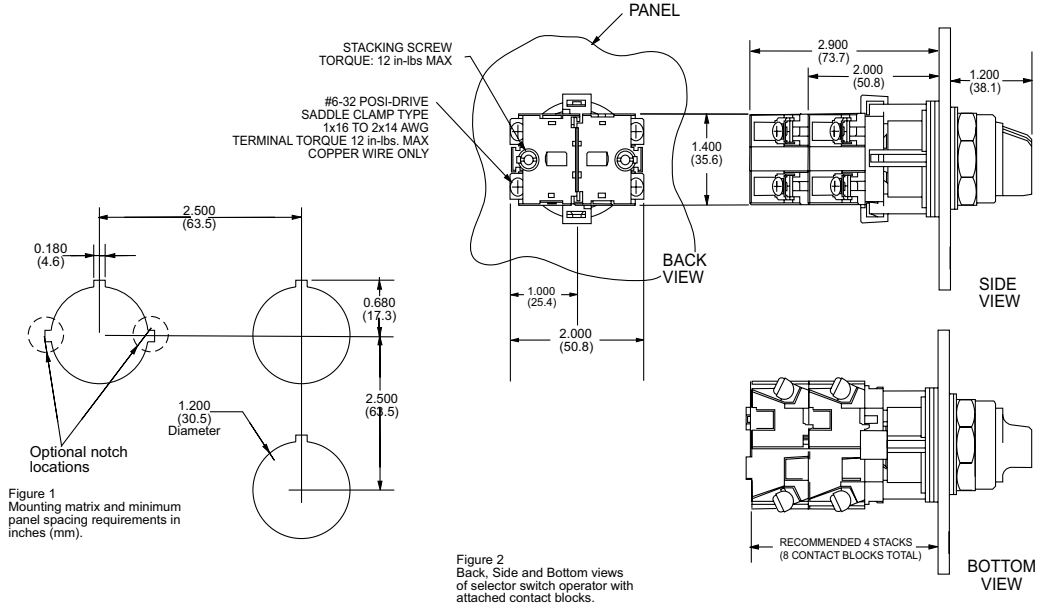


Figure 3 Exploded view of knob or lever selector switch operator.



Cutler-Hammer

HT800 30mm Contact Blocks & Accessories

Contact blocks



HT8A



HT8B

HT8 Series Contact Blocks		
Part Number	Description	Price
HT8A	Normally open contact block for HT8 series switches. NEMA Rated A600, P600 ¹	\$10.00
HT8B	Normally closed contact block for HT8 series switches. NEMA Rated A600, P600 ¹	\$10.00
HT8C	Early closing normally open contact block for HT8 series switches. NEMA Rated A600 ¹	\$24.00
HT8D	Late opening normally closed contact block for HT8 series switches. NEMA Rated A600 ¹	\$10.00
HT8E	Logic level normally open contact block for HT8 series switches. Gold plated contacts for reliable low energy switching. Power Rating: Min 1mA @ 5V; Max 500mA 28V.	\$19.50

Notes:

1. See HT800 specifications in this section for typical contact wiring diagram.
2. NEMA ICS 5-2000. For more information, refer to HT800 technical specifications and control circuit contact electrical ratings at the beginning of this section.

Spare parts and tools



HT8WRENCH



HT8LAMPTOOL



109305



HT8BULBV3



HT8LEDYF3

HT8 Series Spare Parts and Tools		
Part Number	Description	Price
HT8WRENCH	Installation wrench for Cutler-Hammer HT8 series and E22 series pushbuttons, switches, and indicators	\$11.00
HT8LAMPTOOL	Bulb extraction tool for removing bulbs from switches, indicators and stacklights	\$5.75
109305	Knockout punch hole cutting tool for 30.5 mm mounting hole. Includes punch, die and draw stud	\$33.00
HT8X1	Spare anti-rotation ring for HT8 series. Included with each HT8 device. (not shown)	\$2.00
HT8X2	Spare trim ring for HT8 series. Included with each HT8 device. (not shown)	\$2.00
HT8X3	Spare sealing/spacing ring for HT8 series. Included with each HT8 device. (not shown)	\$2.00
HT8GR1	Spare grounding kit for HT8 series devices except non-PTT indicators. Included with each HT8 device. (not shown)	\$2.00
HT8GR2	Spare grounding kit for HT8 series non-PTT indicators. Included with each HT8 device. (not shown)	\$2.00
HT8BULBV3	24 volt incandescent bulb for HT8 illuminated devices. This is an extended bulb for enhanced illumination with HT8 devices. 50mA at 24 volts.	\$8.00
HT8BULBV7	120 volt incandescent bulb for HT8 illuminated devices. This is an extended bulb for enhanced illumination with HT8 devices. 19mA at 120 volts.	\$8.00
HT8LEDRF3	24 volt replacement LED bulb for HT800 30mm pushbuttons. Color: Red	\$22.50
HT8LEDYF3	24 volt replacement LED bulb for HT800 30mm pushbuttons. Color: Yellow	\$22.50
HT8LEDGF3	24 volt replacement LED bulb for HT800 30mm pushbuttons. Color: Green	\$24.00
HT8LEDBF3	24 volt replacement LED bulb for HT800 30mm pushbuttons. Color: Blue	\$26.00
HT8LEDWF3	24 volt replacement LED bulb for HT800 30mm pushbuttons. Color: White	\$28.50
HT8LEDAF3	24 volt replacement LED bulb for HT800 30mm pushbuttons. Color: Amber	\$23.00
HT8LEDRF7	120 volt replacement LED bulb for HT800 30mm pushbuttons. Color: Red	\$22.50
HT8LEDYF7	120 volt replacement LED bulb for HT800 30mm pushbuttons. Color: Yellow	\$22.50
HT8LEDGF7	120 volt replacement LED bulb for HT800 30mm pushbuttons. Color: Green	\$24.00
HT8LEDBF7	120 volt replacement LED bulb for HT800 30mm pushbuttons. Color: Blue	\$26.00
HT8LEDWF7	120 volt replacement LED bulb for HT800 30mm pushbuttons. Color: White	\$28.50
HT8LEDAF7	120 volt replacement LED bulb for HT800 30mm pushbuttons. Color: Amber	\$23.00

NOTE: LED modules have very low current draw and should not be used with triac output devices like PLC triac output modules.



30mm Legend Plates

Cutler-Hammer



For Pushbutton Operators and Indicating Lights			
Legend	Color of Field	Catalog Number	Price
Clamp	Black	HT8SP90	\$4.50
Close	Black	HT8SP73	\$4.50
Down	Black	HT8SP74	\$4.50
Emergency Stop	Red	HT8SP13	\$4.50
Fast	Black	HT8SP75	\$4.50
Faster	Black	HT8SP87	\$4.50
Feeder On	Black	HT8SP94	\$4.50
Feeder Off	Black	HT8SP95	\$4.50
Forward	Black	HT8SP15	\$4.50
High	Black	HT8SP16	\$4.50
In	Black	HT8SP17	\$4.50
Inch	Black	HT8SP18	\$4.50
Jog	Black	HT8SP19	\$4.50
Jog Forward	Black	HT8SP20	\$4.50
Jog Reverse	Black	HT8SP21	\$4.50
Low	Black	HT8SP22	\$4.50
Lower	Black	HT8SP23	\$4.50
Lube-fail	Black	HT8SP92	\$4.50
Motor Run	Black	HT8SP81	\$4.50
Motor Stop	Black	HT8SP82	\$4.50
Off	Red	HT8SP24	\$4.50
On	Black	HT8SP25	\$4.50
Open	Black	HT8SP26	\$4.50
Out	Black	HT8SP27	\$4.50
Power On	Black	HT8SP80	\$4.50
Raise	Black	HT8SP28	\$4.50
Ready	Black	HT8SP86	\$4.50
Reset	Black	HT8SP29	\$4.50
Reverse	Black	HT8SP30	\$4.50
Run	Black	HT8SP31	\$4.50
Safe	Black	HT8SP85	\$4.50
Slow	Black	HT8SP32	\$4.50
Slower	Black	HT8SP88	\$4.50
Start	Black	HT8SP33	\$4.50
Stop	Red	HT8SP34	\$4.50
Test	Black	HT8SP83	\$4.50
Transfer	Black	HT8SP93	\$4.50
Trip	Black	HT8SP84	\$4.50
Unclamp	Black	HT8SP91	\$4.50
Up	Black	HT8SP35	\$4.50

**Note: Dimensions: 1.77" (45mm) x1.77" (45mm)*

For Selector Switch Operators/ Two-Position			
Legend	Color of Field	Catalog Number	Price
Forward Reverse	Black	HT8SP38	\$4.50
Hand Auto	Black	HT8SP39	\$4.50
High Low	Black	HT8SP40	\$4.50
Jog Run	Black	HT8SP41	\$4.50
Manual Auto	Black	HT8SP67	\$4.50
Off On	Black	HT8SP42	\$4.50
Open Close	Black	HT8SP43	\$4.50
Run Jog	Black	HT8SP44	\$4.50
Safe Run	Black	HT8SP45	\$4.50
Start Jog	Black	HT8SP46	\$4.50
Start Stop	Black	HT8SP47	\$4.50
Up Down	Black	HT8SP48	\$4.50

For Selector Switch Operators/ Three-Position			
Legend	Color of Field	Catalog Number	Price
Auto Off Hand	Black	HT8SP49	\$4.50
For. Off Rev	Black	HT8SP50	\$4.50
For. Safe Rev.	Black	HT8SP69	\$4.50
Hand Off Auto	Black	HT8SP51	\$4.50
Man. Off Auto	Black	HT8SP68	\$4.50
Open Off Close	Black	HT8SP53	\$4.50
Run Safe Jog	Black	HT8SP70	\$4.50
Up Off Down	Black	HT8SP54	\$4.50
On Stop Safe	Black	HT8SP71	\$4.50

For PUSH/PULL Units			
Legend 3/32" lettering	Color of Field	Catalog Number	Price
ON/OFF	Black	HT8PP5	\$4.50
OPEN/CLOSE	Black	HT8PP8	\$4.50
UP/DOWN	Black	HT8PP11	\$4.50

Square Blank Plastic Legend Plates			
Lettering	Color of Field	Catalog Number	Price
Black	White/Silver	HT8SP76	\$4.50
White	Red/Black	HT8SP77	\$4.50

Round Plastic Legend Plates			
Legend	Color of Field	Catalog Number	Price
ESTOP	Yellow	HT8RP79	\$4.50

NOTE: All 30 mm legend plates are plastic.

NOTE: 70 mm / 2-3/4" diameter