





LED element, Flat Rear, red/green/blue, front mounting

Part no. **M22-FLED-RGB**  
 Catalog No. **180800**  
 Eaton Catalog No. **M22-FLED-RGB**  
 EL-Nummer **0004315751**  
 (Norway)

**Delivery program**

Basic function accessories			LED elements
Description			Cage Clamp is a registered trademark of Wago Kontakttechnik GmbH/Minden, Germany
Connection technique			Cage Clamp
Fixing			Front fixing
Rated operational voltage	$U_e$	V	24 V DC
<b>Rated operational current</b>	$I_e$	mA	8 - 15
Power consumption	$P_{max.}$	W	0.36
Lifespan to EN 60064 at $t_a = +25\text{ °C}$	$t_{mean}$ (AC)	h	100000
Degree of Protection			IP20
			at 24 V
<b>Colour</b>			red/green/blue
			
Connection to SmartWire-DT			no
Approval			
Connection technique			Cage Clamp

**Notes**

For indicator lights, illuminated pushbutton actuators, and illuminated selector switch actuators, the following applies: Only in combination with M22-...-W

Terminal diagram:

	Colors	Pin	X1	X2	X3	X4
			+R	+G	+B	GND
M22-FLED-RG	red	x				x
	green			x		x
	yellow	x		x		x
M22-FLED-RGB	red	x				x
	green			x		x
	yellow	x		x		x
	White	x		x		x
	blue				x	x
	Violet	x			x	x
	Turquoise			x	x	x

## Technical data

### General

Standards			IEC 60947-5-1
Degree of Protection			IP20
Climatic proofing			Damp heat, constant, to IEC 60068-2-78 Damp heat, cyclic, to IEC 60068-2-30 Dry heat to IEC 60068-2-2
Ambient temperature			
Open		°C	-25 - +70
Storage		°C	- 40 - + 85
Mounting position			As required
Mechanical shock resistance according to IEC 60068-2-27 Shock duration 11 ms, half-sinusoidal		g	> 50
Terminal capacities		mm <sup>2</sup>	
Solid		mm <sup>2</sup>	1 x 1 (0.2 - 1.5) 1 x 1 (075 - 1.5) Can be plugged without tools
Stranded		mm <sup>2</sup>	1 x 1 (0.2 - 1.5)
Flexible with ferrule		mm <sup>2</sup>	1 x 1 (0.25 - 1) Use WAGO Variocrimp 4 crimping tool; please enquire for others
Solid or stranded		AWG	20

### Contacts

Rated impulse withstand voltage	U <sub>imp</sub>	V AC	4000
Rated insulation voltage	U <sub>i</sub>	V	250
Overvoltage category/pollution degree			III/3
Indoor and protected outdoor installation			

## Design verification as per IEC/EN 61439

Technical data for design verification			
Operating ambient temperature min.		°C	-25
Operating ambient temperature max.		°C	70

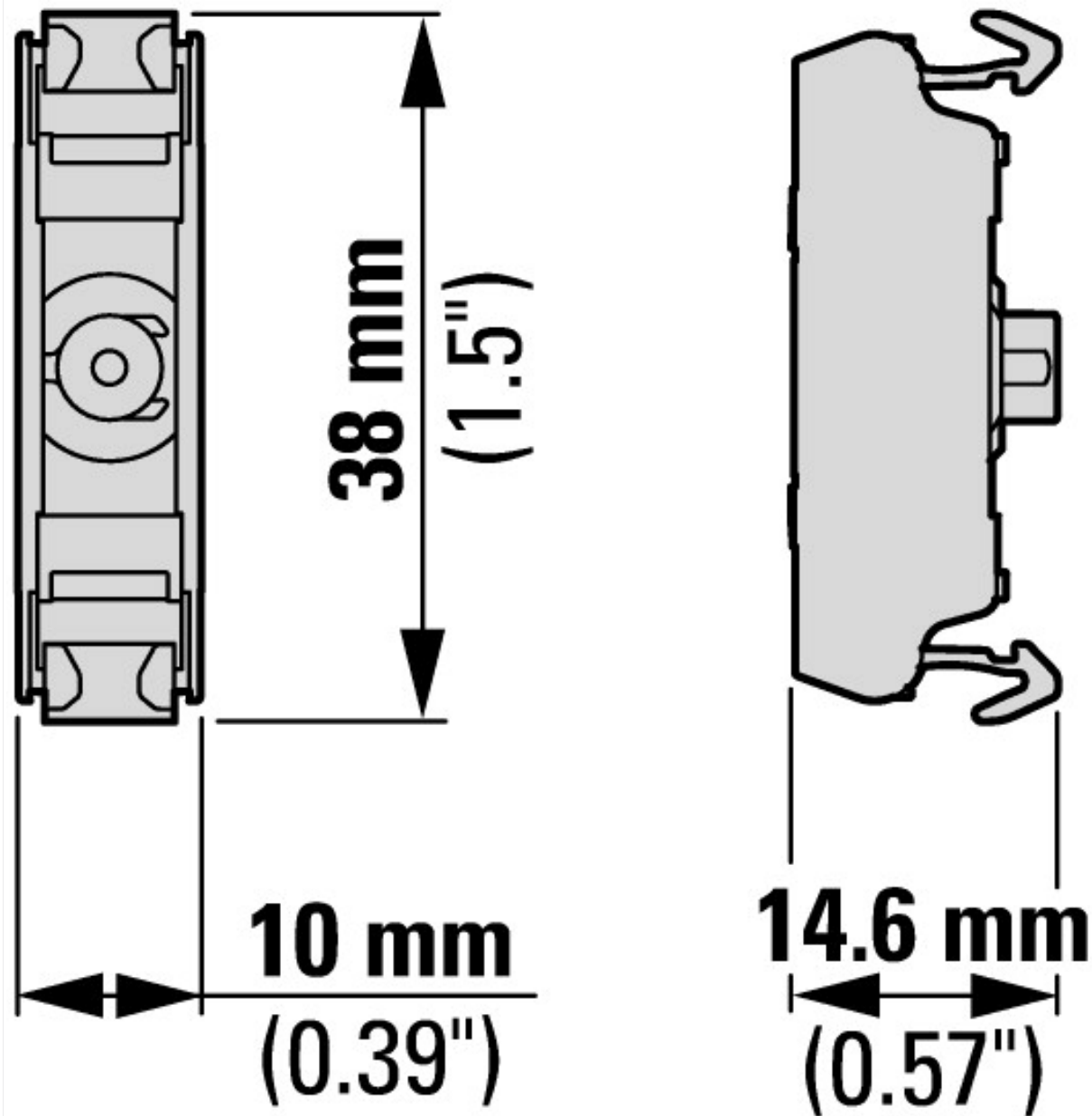
## Technical data ETIM 7.0

Low-voltage industrial components (EG000017) / Lamp holder block for control circuit devices (EC000204)			
Electric engineering, automation, process control engineering / Low-voltage switch technology / Command and alarm device / Bulb socket block for command and alarm devices (ec1@ss10.0.1-27-37-12-09 [AKF027014])			
Transformer integrated			No
With integrated voltage decreasing resistor			No
With light source			Yes
With integrated diode			Yes
Lamp holder			None
Rated voltage U <sub>e</sub> at AC 50 Hz		V	0 - 0
Rated voltage U <sub>e</sub> at AC 60 Hz		V	0 - 0
Rated voltage U <sub>e</sub> at DC		V	24 - 24
Voltage type for actuating			DC
Voltage type for actuating			DC
Lamp type			LED
Connection type auxiliary circuit			Spring clamp connection
Colour lamp			Other
Type of fastening			Front fastening

## Approvals

Product Standards			IEC/EN 60947-5; UL 508; CSA-C22.2 No. 14-05; CSA-C22.2 No. 94-91; CE marking
UL File No.			E29184
UL Category Control No.			NKCR
CSA File No.			012528
CSA Class No.			3211-03
North America Certification			UL listed, CSA certified

## Dimensions



## Additional product information (links)

### IL04716002Z (AWA1160-1745) RMQ-Titan System

IL04716002Z (AWA1160-1745) RMQ-Titan System

[ftp://ftp.moeller.net/DOCUMENTATION/AWA\\_INSTRUCTIONS/IL04716002Z2018\\_10.pdf](ftp://ftp.moeller.net/DOCUMENTATION/AWA_INSTRUCTIONS/IL04716002Z2018_10.pdf)