

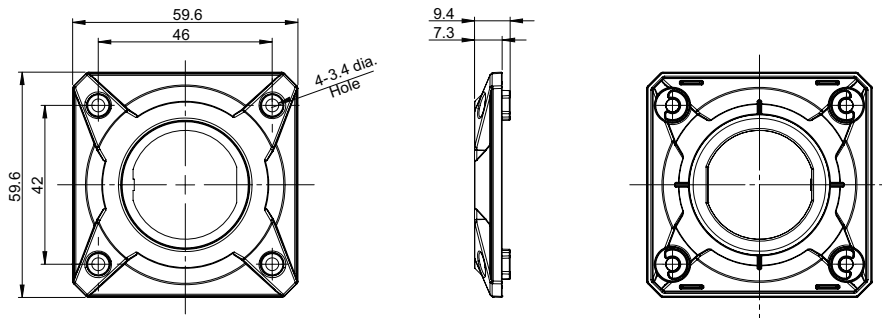
3-13 Special Covers

3-13-1 Specifications

Model		FHV-XFC-C	FHV-XFC-LEM-S	FshuuHV-XFC-LEM-H
Application		For C mount lens	For lens module (FHV-LEM-S)	For lens module (FHV-LEM-H)
Usage environment	Ambient temperature range	Operating: 0 to +40°C, Storage: -25 to +65°C (With no icing or condensation)		
	Ambient temperature range	Operating & storage: 35 to 85% (With no condensation)		
	Ambient atmosphere	No corrosive gases		
	Vibration tolerance	Oscillation frequency: 10 to 150Hz, Half amplitude: 0.35 mm, Vibration direction: X/Y/Z, Sweep time: 8 minutes/count, Sweep count: 10 times		
	Shock resistance	Impact force: 150 m/s ² , Test direction: 6 directions, three time each (up/down, front/behind, left/right)		
Material		Polycarbonate		
Weight		Approx. 9 g	Approx. 5 g	Approx. 5 g

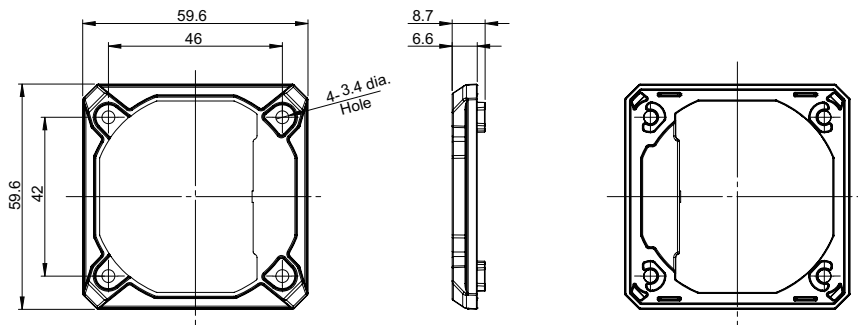
3-13-2 Dimensions

- FHV-XFC-C



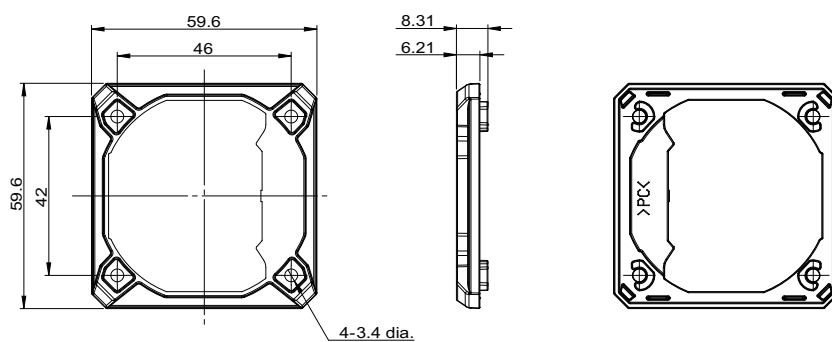
(Unit: mm)

- FHV-XFC-LEM-S



(Unit: mm)

- FHV-XFC-LEM-H



(Unit: mm)



Additional Information

We have the 2D CAD data or 3D CAD data.
You can download CAD data from www.fa.omron.co.jp.