

Camera-mount Lighting Controller for FL Series

FL-TCC Series

**Camera-mount Compact
Lighting Controller Which Requires
No Power Supply Nor Lighting Control**



Product Features

- No separate power supply is required because the power is supplied from the Camera.
- Light is emitted when a trigger signal is received from the Camera.
- Simple connection between the Camera and the Lighting with a single cable.



Ordering Information

Item	Model	Weight
Lighting Controller	FL-TCC1	Approx. 110 g
Camera Mounting Spacer	FL-TCC1-XSP	Approx. 10 g
Camera Mounting Attachment	FL-TCC1-XAT	Approx. 20 g

Camera-mount Lighting Controller for FL Series FL-TCC Series

Specifications

Lighting Controller

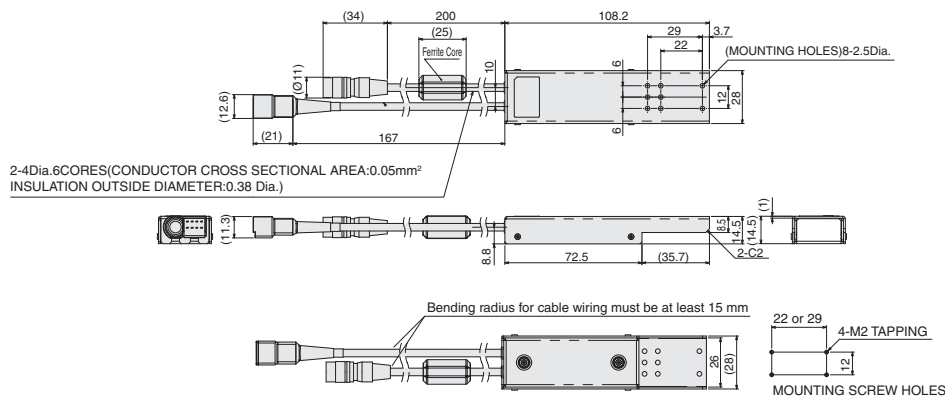
Product type		Lighting Controller
Model		FL-TCC1
Input voltage		Supplied from applicable camera.
Applicable camera		FH-S/SC/S02/SC02/S04/SC04, FZ-S/SC/S2M/SC2M/S5M2/SC5M2/SH/SHC/SF/SFC/SP/SPC, FQ-MS series and others.
Applicable controller		FH series
Power consumption		10 W, 0.9 A max. (including the lighting section)
Number of output channels		1
Applicable light		FL-□ series
Luminance control method	Functions	PWM frequency: 100 kHz, Light adjustment: 255 levels (set with the Controller)
	Trigger lighting	Lighting ON synchronized with trigger input timing from the Controller. (Auto setting in accordance with the shutter speed.)
	Trigger lighting delay time	Ton: 30 μs max. (Trigger ready μs) Toff: 10 μs max.
External interface		Dedicated communication connector
Ambient temperature		Operating: 0 to 50°C, Storage: -15 to 60°C (with no icing or condensation)
Ambient humidity		Operating/storage: 35% to 85% (with no condensation)
Vibration resistance		10 to 55 Hz, (0.7 mm double amplitude) 80 min each in X, Y, and Z directions
Shock resistance		150 m/s ² 3 times each in 6 directions (up/down, left/right, forward/backward)
Materials		Case: SECC, Cable: PVC
Degree of protection		IP20 (IEC60529)
Weight		Approx. 110 g
Accessories		Instruction sheet, Insulation sheet, Mounting screw (M2 x 6 mm) x 4
Applicable standards		EN61326-1 *, KC

* Electromagnetic environment: Industrial electromagnetic environment (EN/IEC 61326-1 Table 2)
Also, the following condition is applied to the immunity test of this product.
There are case that Lighting brightness fluctuate Max 10%.

Dimensions

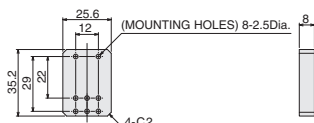
(Unit:mm)

Lighting Controller FL-TCC1



Options

Camera Mounting Spacer FL-TCC1-XSP (sold separately)



Camera Mounting Attachment FL-TCC1-XAT (sold separately)

