

**Sentron Circuit Breaker Cut Sheets with
Enclosure for FD JD, LD, LMD, MD, ND, SJD,
SLD, SMD and SND,**

Sentron Circuit Breaker Cut Sheets with Enclosure for FD

FD-Frame Sentron™ Series Circuit Breakers

NEMA Type 1; 2 & 3-Pole; 70-250 Amperes

Molded Case Circuit Breakers



Ratings & Markings (UL 489 AIR Interrupting Ratings)

Breaker Type	RMS Symmetrical Amperes (kA)					Frame Only - Interchangeable trip		
	Volts AC (50/60Hz)			Volts DC		Breaker Type	Frame (2-Pole)	Frame (3-Pole)
	240	480	600	250	500			
FD6-A, FXD6-A	65	35	22	30 (2-Pole)	18 (3-Pole)	FD6-A	FD62F250	FD63F250
HFD6, HFXD6	100	65	25	30 (2-Pole)	25 (3-Pole)	HFD6	HFD62F250	HFD63F250
HHFD6, HHFXD6	200	100	25	—	—	HHFD6	—	HHFD63F250
CFD6	200	200	100	30 (2-Pole)	50 (3-Pole)	—	—	—

Dimensions

Breaker Type	Length	Width	Depth	D-1 (to handle)
FD6-A, FXD6-A, HFD6, HFXD6	9.50 in	4.50 in	4.0 in	5.25 in
HHFD6, HHFXD6	—	—	—	—
CFD6	14.25 in	4.50 in	4.0 in	5.25 in

Frames

Trip Amperage	Poles	Non-interchangeable trip Assembled with no lugs				Interchangeable trip Not assembled - shipped with CU/AL lugs			Trip Unit only
		FXD6-A	HFXD6	HHFXD6	CFD6	FD6-A	HFD6	HHFD6	
70	2	FXD62B070	HFXD62B070	—	—	FD62B070	HFD62B070	—	FD62T070
80	2	FXD62B080	HFXD62B080	—	—	FD62B080	HFD62B080	—	FD62T080
90	2	FXD62B090	HFXD62B090	—	—	FD62B090	HFD62B090	—	FD62T090
100	2	FXD62B100	HFXD62B100	—	—	FD62B100	HFD62B100	—	FD62T100
110	2	FXD62B110	HFXD62B110	—	—	FD62B110	HFD62B110	—	FD62T110
125	2	FXD62B125	HFXD62B125	—	—	FD62B125	HFD62B125	—	FD62T125
150	2	FXD62B150	HFXD62B150	—	—	FD62B150	HFD62B150	—	FD62T150
175	2	FXD62B175	HFXD62B175	—	—	FD62B175	HFD62B175	—	FD62T175
200	2	FXD62B200	HFXD62B200	—	—	FD62B200	HFD62B200	—	FD62T200
225	2	FXD62B225	HFXD62B225	—	—	FD62B225	HFD62B225	—	FD62T225
250	2	FXD62B250	HFXD62B250	—	—	FD62B250	HFD62B250	—	FD62T250
70	3	FXD63B070	HFXD63B070	HHFXD63B070	CFD63B070	FD63B070	HFD63B070	HHFD63B070	FD63T070
80	3	FXD63B080	HFXD63B080	HHFXD63B080	CFD63B080	FD63B080	HFD63B080	HHFD63B080	FD63T080
90	3	FXD63B090	HFXD63B090	HHFXD63B090	CFD63B090	FD63B090	HFD63B090	HHFD63B090	FD63T090
100	3	FXD63B100	HFXD63B100	HHFXD63B100	CFD63B100	FD63B100	HFD63B100	HHFD63B100	FD63T100
110	3	FXD63B110	HFXD63B110	HHFXD63B110	CFD63B110	FD63B110	HFD63B110	HHFD63B110	FD63T110
125	3	FXD63B125	HFXD63B125	HHFXD63B125	CFD63B125	FD63B125	HFD63B125	HHFD63B125	FD63T125
150	3	FXD63B150	HFXD63B150	HHFXD63B150	CFD63B150	FD63B150	HFD63B150	HHFD63B150	FD63T150
175	3	FXD63B175	HFXD63B175	HHFXD63B175	CFD63B175	FD63B175	HFD63B175	HHFD63B175	FD63T175
200	3	FXD63B200	HFXD63B200	HHFXD63B200	CFD63B200	FD63B200	HFD63B200	HHFD63B200	FD63T200
225	3	FXD63B225	HFXD63B225	HHFXD63B225	CFD63B225	FD63B225	HFD63B225	HHFD63B225	FD63T225
250	3	FXD63B250	HFXD63B250	HHFXD63B250	CFD63B250	FD63B250	HFD63B250	HHFD63B250	FD63T250

Frames - Magnetic Trip Only - ETI Motor Circuit Protector

Ampere Rating	Poles	Minimum	Maximum	FXD6	CFD6
150	3	400	800	FXD63L150	CFD63L150
150	3	800	1500	FXD63A150	CFD63A150
150	3	1100	2500	FXD63H150	CFD63H150
250	3	110	2500	FXD63A250	CFD63A250

Frames - Molded Case Switch - Circuit Disconnect

Ampere Rating	Poles	FXD6	HFXD6	CFD6
250	2	FXD62S250A	HFXD62S250A	CFD63S250A
250	3	FXD63S250A	HFXD63S250A	—

Terminals / Wire Ranges (Lug Information)

Lugs For 75°C Wire	
Catalog Number	Wire Range
TA1FD350A	#6—350 kcmil Cu #4—350 kcmil Al
TC1FD350	#6—350 kcmil Cu
Compression Lug	
CCF250	350 kcmil Cu/Al

Shunt Trip Combinations

Control Voltage		1 Shunt Trip
AC	DC	Catalog Number
24	—	S17FD60
120	—	S01FD60
240	—	S03FD60
277	—	S15FD60
480	—	S04FD60
600	—	S06FD60
—	12	S16FD60
—	24	S07FD60
—	48	S09FD60
—	125	S11FD60
—	250	S13FD60

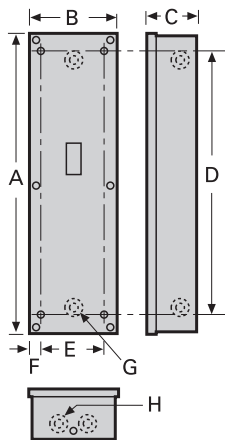


Figure 2

Auxiliary Switch Combinations / Alarm Switch Combinations

Maximum Voltage		Combinations	Catalog Number
AC	DC		
240	—	1 Auxillary Switch	A01FD62
240	—	2 Auxillary Switches	A02FD62
480	—	1 Auxillary Switch	A01FD64
480	—	2 Auxillary Switches	A02FD64
—	12	2 Aux Switches- Gold Plated Contacts - For PLC Use	A01FDLV
480	250	1 Alarm Switch	B00FD64
480	250	1 Alarm Switch & 1 Auxillary Switch	C01FD64

Undervoltage Trip Combinations

Control Voltage		1 Undervoltage Trip	1 Undervoltage Trip and 1 Auxillary Switch
AC	DC	Catalog Number	Catalog Number
120	—	U01FD60	W01FD64
208	—	U02FD60	W02FD64
240	—	U03FD60	W03FD64
277	—	U16FD60	W16FD64
480	—	U06FD60	W06FD64
600	—	U08FD60	—
—	24	U13FD60	W13FD64
—	48	U14FD60	W14FD64
—	125	U10FD60	W10FD64
—	250	U12FD60	W12FD64

Enclosure

Fig. No.	Breaker Frame	Number of Poles	Maximum Current Rating	Catalog Number	Weight Lb./Ship. Package
2	FXD6, FD6, FXD6, FD6, HFD6, HFXD6, HHFD6, CFD6	2-3	250	F6N1S F6N1F	33

Dimensions (inches)						K.O. Dimensions	
A	B	C	D	E	F	6 Plcs. 2 Plcs.	
38 ¹³ / ₃₂	11 ¹⁹ / ₃₂	5 ¹ / ₁₆	33	8	1 ¹ / ₃₂	¹ / ₈ , 1 ³ / ₈ , 1 ³ / ₄ , 2, 2 ¹ / ₂ , 3	1 ¹ / ₈ , 1 ³ / ₈ , 1 ³ / ₄ , 2, 2 ¹ / ₂ , 3

Siemens Industry, Inc.
5400 Triangle Parkway
Norcross, GA 30092

1-800-241-4453
info.us@siemens.com

Order No. CBDS-FDN01-1116 | Printed in USA |
© 2016, Siemens Industry, Inc.

usa.siemens.com/circuitbreakers

Subject to changes and errors. The information given in this document only contains general descriptions and/or performance features which may not always specifically reflect those described, or which may undergo modification in the course of further development of the products. The requested performance features are binding only when they are expressly agreed upon in the concluded contract.

FD-Frame Sentron™ Series Circuit Breakers

NEMA Type 3R; 2 & 3-Pole; 70-250 Amperes

Molded Case Circuit Breakers



Ratings & Markings (UL 489 AIR Interrupting Ratings)

Breaker Type	RMS Symmetrical Amperes (kA)					Frame Only - Interchangeable trip		
	Volts AC (50/60Hz)			Volts DC		Breaker Type	Frame (2-Pole)	Frame (3-Pole)
	240	480	600	250	500			
FD6-A, FXD6-A	65	35	22	30 (2-Pole)	18 (3-Pole)	FD6-A	FD62F250	FD63F250
HFD6, HFXD6	100	65	25	30 (2-Pole)	25 (3-Pole)	HFD6	HFD62F250	HFD63F250
HHFD6, HHFXD6	200	100	25	—	—	HHFD6	—	HHFD63F250
CFD6	200	200	100	30 (2-Pole)	50 (3-Pole)	—	—	—

Dimensions

Breaker Type	Length	Width	Depth	D-1 (to handle)
FD6-A, FXD6-A, HFD6, HFXD6	9.50 in	4.50 in	4.0 in	5.25 in
HHFD6, HHFXD6	—	—	—	—
CFD6	14.25 in	4.50 in	4.0 in	5.25 in

Frames

Trip Amperage	Poles	Non-interchangeable trip Assembled with no lugs				Interchangeable trip Not assembled - shipped with CU/AL lugs			Trip Unit only
		FXD6-A	HFXD6	HHFXD6	CFD6	FD6-A	HFD6	HHFD6	
70	2	FXD62B070	HFXD62B070	—	—	FD62B070	HFD62B070	—	FD62T070
80	2	FXD62B080	HFXD62B080	—	—	FD62B080	HFD62B080	—	FD62T080
90	2	FXD62B090	HFXD62B090	—	—	FD62B090	HFD62B090	—	FD62T090
100	2	FXD62B100	HFXD62B100	—	—	FD62B100	HFD62B100	—	FD62T100
110	2	FXD62B110	HFXD62B110	—	—	FD62B110	HFD62B110	—	FD62T110
125	2	FXD62B125	HFXD62B125	—	—	FD62B125	HFD62B125	—	FD62T125
150	2	FXD62B150	HFXD62B150	—	—	FD62B150	HFD62B150	—	FD62T150
175	2	FXD62B175	HFXD62B175	—	—	FD62B175	HFD62B175	—	FD62T175
200	2	FXD62B200	HFXD62B200	—	—	FD62B200	HFD62B200	—	FD62T200
225	2	FXD62B225	HFXD62B225	—	—	FD62B225	HFD62B225	—	FD62T225
250	2	FXD62B250	HFXD62B250	—	—	FD62B250	HFD62B250	—	FD62T250
70	3	FXD63B070	HFXD63B070	HHFXD63B070	CFD63B070	FD63B070	HFD63B070	HHFD63B070	FD63T070
80	3	FXD63B080	HFXD63B080	HHFXD63B080	CFD63B080	FD63B080	HFD63B080	HHFD63B080	FD63T080
90	3	FXD63B090	HFXD63B090	HHFXD63B090	CFD63B090	FD63B090	HFD63B090	HHFD63B090	FD63T090
100	3	FXD63B100	HFXD63B100	HHFXD63B100	CFD63B100	FD63B100	HFD63B100	HHFD63B100	FD63T100
110	3	FXD63B110	HFXD63B110	HHFXD63B110	CFD63B110	FD63B110	HFD63B110	HHFD63B110	FD63T110
125	3	FXD63B125	HFXD63B125	HHFXD63B125	CFD63B125	FD63B125	HFD63B125	HHFD63B125	FD63T125
150	3	FXD63B150	HFXD63B150	HHFXD63B150	CFD63B150	FD63B150	HFD63B150	HHFD63B150	FD63T150
175	3	FXD63B175	HFXD63B175	HHFXD63B175	CFD63B175	FD63B175	HFD63B175	HHFD63B175	FD63T175
200	3	FXD63B200	HFXD63B200	HHFXD63B200	CFD63B200	FD63B200	HFD63B200	HHFD63B200	FD63T200
225	3	FXD63B225	HFXD63B225	HHFXD63B225	CFD63B225	FD63B225	HFD63B225	HHFD63B225	FD63T225
250	3	FXD63B250	HFXD63B250	HHFXD63B250	CFD63B250	FD63B250	HFD63B250	HHFD63B250	FD63T250

Frames - Magnetic Trip Only - ETI Motor Circuit Protector

Ampere Rating	Poles	Minimum	Maximum	FXD6	CFD6
150	3	400	800	FXD63L150	CFD63L150
150	3	800	1500	FXD63A150	CFD63A150
150	3	1100	2500	FXD63H150	CFD63H150
250	3	110	2500	FXD63A250	CFD63A250

Frames - Molded Case Switch - Circuit Disconnect

Ampere Rating	Poles	FXD6	HFXD6	CFD6
250	2	FXD62S250A	HFXD62S250A	CFD63S250A
250	3	FXD63S250A	HFXD63S250A	—

Terminals / Wire Ranges (Lug Information)

Lugs For 75°C Wire	
Catalog Number	Wire Range
TA1FD350A	#6—350 kcmil Cu #4—350 kcmil Al
TC1FD350	#6—350 kcmil Cu
Compression Lug	
CCF250	350 kcmil Cu/Al

Shunt Trip Combinations

Control Voltage		1 Shunt Trip
AC	DC	Catalog Number
24	—	S17FD60
120	—	S01FD60
240	—	S03FD60
277	—	S15FD60
480	—	S04FD60
600	—	S06FD60
—	12	S16FD60
—	24	S07FD60
—	48	S09FD60
—	125	S11FD60
—	250	S13FD60

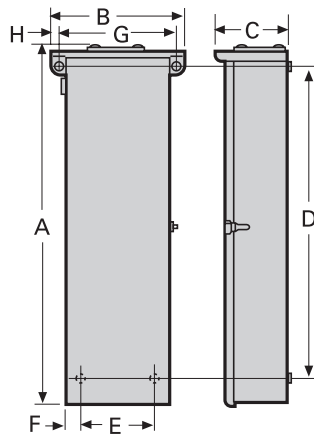


Figure 1

Auxiliary Switch Combinations / Alarm Switch Combinations

Maximum Voltage		Combinations	Catalog Number
AC	DC		
240	—	1 Auxillary Switch	A01FD62
240	—	2 Auxillary Switches	A02FD62
480	—	1 Auxillary Switch	A01FD64
480	—	2 Auxillary Switches	A02FD64
—	12	2 Aux Switches- Gold Plated Contacts - For PLC Use	A01FDLV
480	250	1 Alarm Switch	B00FD64
480	250	1 Alarm Switch & 1 Auxillary Switch	C01FD64

Undervoltage Trip Combinations

Control Voltage		1 Undervoltage Trip	1 Undervoltage Trip and 1 Auxillary Switch
AC	DC	Catalog Number	Catalog Number
120	—	U01FD60	W01FD64
208	—	U02FD60	W02FD64
240	—	U03FD60	W03FD64
277	—	U16FD60	W16FD64
480	—	U06FD60	W06FD64
600	—	U08FD60	—
—	24	U13FD60	W13FD64
—	48	U14FD60	W14FD64
—	125	U10FD60	W10FD64
—	250	U12FD60	W12FD64

Enclosure

Fig. No.	Breaker Frame	Number of Poles	Maximum Current Rating	Catalog Number	Weight Lb./Ship. Package
1	FXD6, FD6, FXD6, FD6, HFD6, HFXD6, HHFD6, CFD6	2-3	250	F6N3R	45

Dimensions (inches)							
A	B	C	D	E	F	G	H
38 1/8	14 1/16	7 3/4	33 9/32	8	13 1/16	13 1/2	13 1/16

Siemens Industry, Inc.
5400 Triangle Parkway
Norcross, GA 30092

1-800-241-4453
info.us@siemens.com

Order No. CBDS-FDN3R-1116 | Printed in USA |
© 2016, Siemens Industry, Inc.

usa.siemens.com/circuitbreakers

Subject to changes and errors. The information given in this document only contains general descriptions and/or performance features which may not always specifically reflect those described, or which may undergo modification in the course of further development of the products. The requested performance features are binding only when they are expressly agreed upon in the concluded contract.

FD-Frame Sentron™ Series Circuit Breakers

NEMA Type 12; 2 & 3-Pole; 70-250 Amperes

Molded Case Circuit Breakers



Ratings & Markings (UL 489 AIR Interrupting Ratings)

Breaker Type	RMS Symmetrical Amperes (kA)					Frame Only - Interchangeable trip		
	Volts AC (50/60Hz)			Volts DC		Breaker Type	Frame (2-Pole)	Frame (3-Pole)
	240	480	600	250	500			
FD6-A, FXD6-A	65	35	22	30 (2-Pole)	18 (3-Pole)	FD6-A	FD62F250	FD63F250
HFD6, HFXD6	100	65	25	30 (2-Pole)	25 (3-Pole)	HFD6	HFD62F250	HFD63F250
HHFD6, HHFXD6	200	100	25	—	—	HHFD6	—	HHFD63F250
CFD6	200	200	100	30 (2-Pole)	50 (3-Pole)	—	—	—

Dimensions

Breaker Type	Length	Width	Depth	D-1 (to handle)
FD6-A, FXD6-A, HFD6, HFXD6, HHFD6, HHFXD6	9.50 in.	4.50 in.	4.0 in.	5.25 in.
CFD6	14.25 in.	4.50 in.	4.0 in.	5.25 in.

Frames

Trip Amperage	Poles	Non-interchangeable trip Assembled with no lugs				Interchangeable trip Not assembled - shipped with CU/AL lugs			Trip Unit only
		FXD6-A	HFXD6	HHFXD6	CFD6	FD6-A	HFD6	HHFD6	
70	2	FXD62B070	HFXD62B070	—	—	FD62B070	HFD62B070	—	FD62T070
80	2	FXD62B080	HFXD62B080	—	—	FD62B080	HFD62B080	—	FD62T080
90	2	FXD62B090	HFXD62B090	—	—	FD62B090	HFD62B090	—	FD62T090
100	2	FXD62B100	HFXD62B100	—	—	FD62B100	HFD62B100	—	FD62T100
110	2	FXD62B110	HFXD62B110	—	—	FD62B110	HFD62B110	—	FD62T110
125	2	FXD62B125	HFXD62B125	—	—	FD62B125	HFD62B125	—	FD62T125
150	2	FXD62B150	HFXD62B150	—	—	FD62B150	HFD62B150	—	FD62T150
175	2	FXD62B175	HFXD62B175	—	—	FD62B175	HFD62B175	—	FD62T175
200	2	FXD62B200	HFXD62B200	—	—	FD62B200	HFD62B200	—	FD62T200
225	2	FXD62B225	HFXD62B225	—	—	FD62B225	HFD62B225	—	FD62T225
250	2	FXD62B250	HFXD62B250	—	—	FD62B250	HFD62B250	—	FD62T250
70	3	FXD63B070	HFXD63B070	HHFXD63B070	CFD63B070	FD63B070	HFD63B070	HHFD63B070	FD63T070
80	3	FXD63B080	HFXD63B080	HHFXD63B080	CFD63B080	FD63B080	HFD63B080	HHFD63B080	FD63T080
90	3	FXD63B090	HFXD63B090	HHFXD63B090	CFD63B090	FD63B090	HFD63B090	HHFD63B090	FD63T090
100	3	FXD63B100	HFXD63B100	HHFXD63B100	CFD63B100	FD63B100	HFD63B100	HHFD63B100	FD63T100
110	3	FXD63B110	HFXD63B110	HHFXD63B110	CFD63B110	FD63B110	HFD63B110	HHFD63B110	FD63T110
125	3	FXD63B125	HFXD63B125	HHFXD63B125	CFD63B125	FD63B125	HFD63B125	HHFD63B125	FD63T125
150	3	FXD63B150	HFXD63B150	HHFXD63B150	CFD63B150	FD63B150	HFD63B150	HHFD63B150	FD63T150
175	3	FXD63B175	HFXD63B175	HHFXD63B175	CFD63B175	FD63B175	HFD63B175	HHFD63B175	FD63T175
200	3	FXD63B200	HFXD63B200	HHFXD63B200	CFD63B200	FD63B200	HFD63B200	HHFD63B200	FD63T200
225	3	FXD63B225	HFXD63B225	HHFXD63B225	CFD63B225	FD63B225	HFD63B225	HHFD63B225	FD63T225
250	3	FXD63B250	HFXD63B250	HHFXD63B250	CFD63B250	FD63B250	HFD63B250	HHFD63B250	FD63T250

Frames - Magnetic Trip Only - ETI Motor Circuit Protector

Ampere Rating	Poles	Minimum	Maximum	FXD6	CFD6
150	3	400	800	FXD63L150	CFD63L150
150	3	800	1500	FXD63A150	CFD63A150
150	3	1100	2500	FXD63H150	CFD63H150
250	3	110	2500	FXD63A250	CFD63A250

Frames - Molded Case Switch - Circuit Disconnect

Ampere Rating	Poles	FXD6	HFXD6	CFD6
250	2	FXD62S250A	HFXD62S250A	CFD63S250A
250	3	FXD63S250A	HFXD63S250A	—

Terminals / Wire Ranges (Lug Information)

Lugs For 75°C Wire	
Catalog Number	Wire Range
TA1FD350A	#6—350 kcmil Cu #4—350 kcmil Al
TC1FD350	#6—350 kcmil Cu
Compression Lug	
CCF250	350 kcmil Cu/Al

Shunt Trip Combinations

Control Voltage		1 Shunt Trip
AC	DC	Catalog Number
24	—	S17FD60
120	—	S01FD60
240	—	S03FD60
277	—	S15FD60
480	—	S04FD60
600	—	S06FD60
—	12	S16FD60
—	24	S07FD60
—	48	S09FD60
—	125	S11FD60
—	250	S13FD60

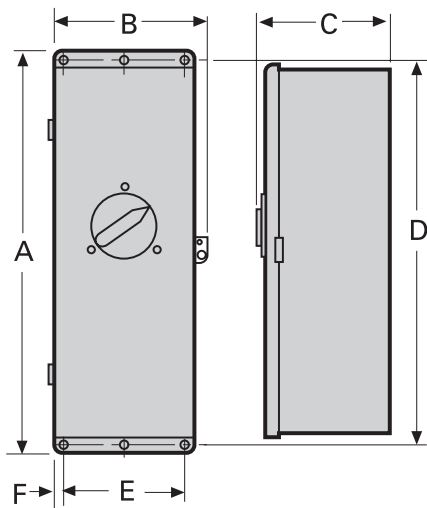


Figure 2

Auxiliary Switch Combinations / Alarm Switch Combinations

Maximum Voltage		Combinations	Catalog Number
AC	DC		
240	—	1 Auxillary Switch	A01FD62
240	—	2 Auxillary Switches	A02FD62
480	—	1 Auxillary Switch	A01FD64
480	—	2 Auxillary Switches	A02FD64
—	12	2 Aux Switches- Gold Plated Contacts - For PLC Use	A01FDLV
480	250	1 Alarm Switch	B00FD64
480	250	1 Alarm Switch & 1 Auxillary Switch	C01FD64

Undervoltage Trip Combinations

Control Voltage		1 Undervoltage Trip	1 Undervoltage Trip and 1 Auxillary Switch
AC	DC	Catalog Number	Catalog Number
120	—	U01FD60	W01FD64
208	—	U02FD60	W02FD64
240	—	U03FD60	W03FD64
277	—	U16FD60	W16FD64
480	—	U06FD60	W06FD64
600	—	U08FD60	—
—	24	U13FD60	W13FD64
—	48	U14FD60	W14FD64
—	125	U10FD60	W10FD64
—	250	U12FD60	W12FD64

Enclosure

Fig. No.	Breaker Frame	Number of Poles	Maximum Current Rating	Catalog Number	Weight Lb./Ship. Package
2	FXD6, FD6, FXD6, FD6, HFD6, CFD6	2-3	250	F6N12	40

Dimensions (inches)					
A	B	C	D	E	F
38 ¹⁹ / ₃₂	14 ²⁹ / ₆₄	8 ¹ / ₈	34	13	²³ / ₃₂

Siemens Industry, Inc.
5400 Triangle Parkway
Norcross, GA 30092

1-800-241-4453
info.us@siemens.com

Order No. CBDS-FDN12-1116 | Printed in USA |
© 2016, Siemens Industry, Inc.

usa.siemens.com/circuitbreakers

Subject to changes and errors. The information given in this document only contains general descriptions and/or performance features which may not always specifically reflect those described, or which may undergo modification in the course of further development of the products. The requested performance features are binding only when they are expressly agreed upon in the concluded contract.

FD-Frame Sentron™ Series Circuit Breakers

NEMA Types 4 & 4X; 2 & 3-Pole; 70-250 Amperes

Molded Case Circuit Breakers



Ratings & Markings (UL 489 AIR Interrupting Ratings)

Breaker Type	RMS Symmetrical Amperes (kA)					Frame Only - Interchangeable trip		
	Volts AC (50/60Hz)			Volts DC		Breaker Type	Frame (2-Pole)	Frame (3-Pole)
	240	480	600	250	500			
FD6-A, FXD6-A	65	35	22	30 (2-Pole)	18 (3-Pole)	FD6-A	FD62F250	FD63F250
HFD6, HFXD6	100	65	25	30 (2-Pole)	25 (3-Pole)	HFD6	HFD62F250	HFD63F250
HHFD6, HHFXD6	200	100	25	—	—	HHFD6	—	HHFD63F250
CFD6	200	200	100	30 (2-Pole)	50 (3-Pole)	—	—	—

Dimensions

Breaker Type	Length	Width	Depth	D-1 (to handle)
FD6-A, FXD6-A, HFD6, HFXD6, HHFD6, HHFXD6	9.50 in	4.50 in	4.0 in	5.25 in
CFD6	14.25 in	4.50 in	4.0 in	5.25 in

Frames

Trip Amperage	Poles	Non-interchangeable trip Assembled with no lugs				Interchangeable trip Not assembled - shipped with CU/AL lugs			Trip Unit only
		FXD6-A	HFXD6	HHFXD6	CFD6	FD6-A	HFD6	HHFD6	
70	2	FXD62B070	HFXD62B070	—	—	FD62B070	HFD62B070	—	FD62T070
80	2	FXD62B080	HFXD62B080	—	—	FD62B080	HFD62B080	—	FD62T080
90	2	FXD62B090	HFXD62B090	—	—	FD62B090	HFD62B090	—	FD62T090
100	2	FXD62B100	HFXD62B100	—	—	FD62B100	HFD62B100	—	FD62T100
110	2	FXD62B110	HFXD62B110	—	—	FD62B110	HFD62B110	—	FD62T110
125	2	FXD62B125	HFXD62B125	—	—	FD62B125	HFD62B125	—	FD62T125
150	2	FXD62B150	HFXD62B150	—	—	FD62B150	HFD62B150	—	FD62T150
175	2	FXD62B175	HFXD62B175	—	—	FD62B175	HFD62B175	—	FD62T175
200	2	FXD62B200	HFXD62B200	—	—	FD62B200	HFD62B200	—	FD62T200
225	2	FXD62B225	HFXD62B225	—	—	FD62B225	HFD62B225	—	FD62T225
250	2	FXD62B250	HFXD62B250	—	—	FD62B250	HFD62B250	—	FD62T250
70	3	FXD63B070	HFXD63B070	HHFXD63B070	CFD63B070	FD63B070	HFD63B070	HHFD63B070	FD63T070
80	3	FXD63B080	HFXD63B080	HHFXD63B080	CFD63B080	FD63B080	HFD63B080	HHFD63B080	FD63T080
90	3	FXD63B090	HFXD63B090	HHFXD63B090	CFD63B090	FD63B090	HFD63B090	HHFD63B090	FD63T090
100	3	FXD63B100	HFXD63B100	HHFXD63B100	CFD63B100	FD63B100	HFD63B100	HHFD63B100	FD63T100
110	3	FXD63B110	HFXD63B110	HHFXD63B110	CFD63B110	FD63B110	HFD63B110	HHFD63B110	FD63T110
125	3	FXD63B125	HFXD63B125	HHFXD63B125	CFD63B125	FD63B125	HFD63B125	HHFD63B125	FD63T125
150	3	FXD63B150	HFXD63B150	HHFXD63B150	CFD63B150	FD63B150	HFD63B150	HHFD63B150	FD63T150
175	3	FXD63B175	HFXD63B175	HHFXD63B175	CFD63B175	FD63B175	HFD63B175	HHFD63B175	FD63T175
200	3	FXD63B200	HFXD63B200	HHFXD63B200	CFD63B200	FD63B200	HFD63B200	HHFD63B200	FD63T200
225	3	FXD63B225	HFXD63B225	HHFXD63B225	CFD63B225	FD63B225	HFD63B225	HHFD63B225	FD63T225
250	3	FXD63B250	HFXD63B250	HHFXD63B250	CFD63B250	FD63B250	HFD63B250	HHFD63B250	FD63T250

Frames - Magnetic Trip Only - ETI Motor Circuit Protector

Ampere Rating	Poles	Minimum	Maximum	FXD6	CFD6
150	3	400	800	FXD63L150	CFD63L150
150	3	800	1500	FXD63A150	CFD63A150
150	3	1100	2500	FXD63H150	CFD63H150
250	3	110	2500	FXD63A250	CFD63A250

Frames - Molded Case Switch - Circuit Disconnect

Ampere Rating	Poles	FXD6	HFXD6	CFD6
250	2	FXD62S250A	HFXD62S250A	CFD63S250A
250	3	FXD63S250A	HFXD63S250A	—

Terminals / Wire Ranges (Lug Information)

Lugs For 75°C Wire	
Catalog Number	Wire Range
TA1FD350A	#6—350 kcmil Cu #4—350 kcmil Al
TC1FD350	#6—350 kcmil Cu
Compression Lug	
CCF250	350 kcmil Cu/Al

Shunt Trip Combinations

Control Voltage		1 Shunt Trip
AC	DC	Catalog Number
24	—	S17FD60
120	—	S01FD60
240	—	S03FD60
277	—	S15FD60
480	—	S04FD60
600	—	S06FD60
—	12	S16FD60
—	24	S07FD60
—	48	S09FD60
—	125	S11FD60
—	250	S13FD60

Auxiliary Switch Combinations / Alarm Switch Combinations

Maximum Voltage		Combinations	Catalog Number
AC	DC		
240	—	1 Auxillary Switch	A01FD62
240	—	2 Auxillary Switches	A02FD62
480	—	1 Auxillary Switch	A01FD64
480	—	2 Auxillary Switches	A02FD64
—	12	2 Aux Switches- Gold Plated Contacts - For PLC Use	A01FDLV
480	250	1 Alarm Switch	B00FD64
480	250	1 Alarm Switch & 1 Auxillary Switch	C01FD64

Undervoltage Trip Combinations

Control Voltage		1 Undervoltage Trip	1 Undervoltage Trip and 1 Auxillary Switch
AC	DC	Catalog Number	Catalog Number
120	—	U01FD60	W01FD64
208	—	U02FD60	W02FD64
240	—	U03FD60	W03FD64
277	—	U16FD60	W16FD64
480	—	U06FD60	W06FD64
600	—	U08FD60	—
—	24	U13FD60	W13FD64
—	48	U14FD60	W14FD64
—	125	U10FD60	W10FD64
—	250	U12FD60	W12FD64

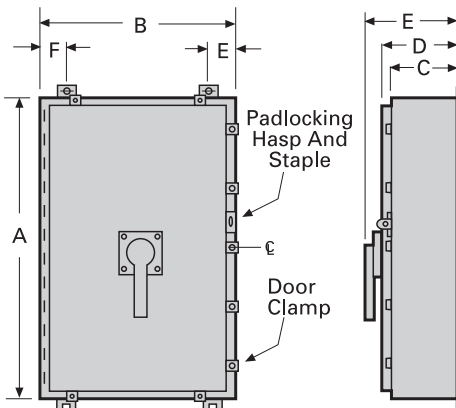


Figure 1A

Enclosure

Fig. No.	Breaker Frame	Number of Poles	Maximum Current Rating	Catalog Number	Weight Lb./Ship. Package
1A	FXD6, FD6, HFD6, FXD6, FD6	2-3	250	FD6SS4	106

Dimensions (inches)					
A	B	C	D	E	F
36	24	8	9 5/32	11 3/4	3

Siemens Industry, Inc.
5400 Triangle Parkway
Norcross, GA 30092

1-800-241-4453
info.us@siemens.com

Order No. CBDS-FD44X-1116 | Printed in USA |
© 2016, Siemens Industry, Inc.

usa.siemens.com/circuitbreakers

Subject to changes and errors. The information given in this document only contains general descriptions and/or performance features which may not always specifically reflect those described, or which may undergo modification in the course of further development of the products. The requested performance features are binding only when they are expressly agreed upon in the concluded contract.

FD-Frame Sentron™ Series Circuit Breakers

NEMA Types 7 & 9; 2 and 3-Pole; 70-250 Amperes

Molded Case Circuit Breakers



Ratings & Markings (UL 489 AIR Interrupting Ratings)

Breaker Type	RMS Symmetrical Amperes (kA)					Frame Only - Interchangeable trip		
	Volts AC (50/60Hz)			Volts DC		Breaker Type	Frame (2-Pole)	Frame (3-Pole)
	240	480	600	250	500			
FD6-A, FXD6-A	65	35	22	30 (2-Pole)	18 (3-Pole)	FD6-A	FD62F250	FD63F250
HFD6, HFXD6	100	65	25	30 (2-Pole)	25 (3-Pole)	HFD6	HFD62F250	HFD63F250
HHFD6, HHFXD6	200	100	25	—	—	HHFD6	—	HHFD63F250
CFD6	200	200	100	30 (2-Pole)	50 (3-Pole)	—	—	—

Dimensions

Breaker Type	Length	Width	Depth	D-1 (to handle)
FD6-A, FXD6-A, HFD6, HFXD6, HHFD6, HHFXD6	9.50 in.	4.50 in.	4.0 in.	5.25 in.
CFD6	14.25 in.	4.50 in.	4.0 in.	5.25 in.

Frames

Trip Amperage	Poles	Non-interchangeable trip Assembled with no lugs				Interchangeable trip Not assembled - shipped with CU/AL lugs			Trip Unit only
		FXD6-A	HFXD6	HHFXD6	CFD6	FD6-A	HFD6	HHFD6	
70	2	FXD62B070	HFXD62B070	—	—	FD62B070	HFD62B070	—	FD62T070
80	2	FXD62B080	HFXD62B080	—	—	FD62B080	HFD62B080	—	FD62T080
90	2	FXD62B090	HFXD62B090	—	—	FD62B090	HFD62B090	—	FD62T090
100	2	FXD62B100	HFXD62B100	—	—	FD62B100	HFD62B100	—	FD62T100
110	2	FXD62B110	HFXD62B110	—	—	FD62B110	HFD62B110	—	FD62T110
125	2	FXD62B125	HFXD62B125	—	—	FD62B125	HFD62B125	—	FD62T125
150	2	FXD62B150	HFXD62B150	—	—	FD62B150	HFD62B150	—	FD62T150
175	2	FXD62B175	HFXD62B175	—	—	FD62B175	HFD62B175	—	FD62T175
200	2	FXD62B200	HFXD62B200	—	—	FD62B200	HFD62B200	—	FD62T200
225	2	FXD62B225	HFXD62B225	—	—	FD62B225	HFD62B225	—	FD62T225
250	2	FXD62B250	HFXD62B250	—	—	FD62B250	HFD62B250	—	FD62T250
70	3	FXD63B070	HFXD63B070	HHFXD63B070	CFD63B070	FD63B070	HFD63B070	HHFD63B070	FD63T070
80	3	FXD63B080	HFXD63B080	HHFXD63B080	CFD63B080	FD63B080	HFD63B080	HHFD63B080	FD63T080
90	3	FXD63B090	HFXD63B090	HHFXD63B090	CFD63B090	FD63B090	HFD63B090	HHFD63B090	FD63T090
100	3	FXD63B100	HFXD63B100	HHFXD63B100	CFD63B100	FD63B100	HFD63B100	HHFD63B100	FD63T100
110	3	FXD63B110	HFXD63B110	HHFXD63B110	CFD63B110	FD63B110	HFD63B110	HHFD63B110	FD63T110
125	3	FXD63B125	HFXD63B125	HHFXD63B125	CFD63B125	FD63B125	HFD63B125	HHFD63B125	FD63T125
150	3	FXD63B150	HFXD63B150	HHFXD63B150	CFD63B150	FD63B150	HFD63B150	HHFD63B150	FD63T150
175	3	FXD63B175	HFXD63B175	HHFXD63B175	CFD63B175	FD63B175	HFD63B175	HHFD63B175	FD63T175
200	3	FXD63B200	HFXD63B200	HHFXD63B200	CFD63B200	FD63B200	HFD63B200	HHFD63B200	FD63T200
225	3	FXD63B225	HFXD63B225	HHFXD63B225	CFD63B225	FD63B225	HFD63B225	HHFD63B225	FD63T225
250	3	FXD63B250	HFXD63B250	HHFXD63B250	CFD63B250	FD63B250	HFD63B250	HHFD63B250	FD63T250

Frames - Magnetic Trip Only - ETI Motor Circuit Protector

Ampere Rating	Poles	Minimum	Maximum	FXD6	CFD6
150	3	400	800	FXD63L150	CFD63L150
150	3	800	1500	FXD63A150	CFD63A150
150	3	1100	2500	FXD63H150	CFD63H150
250	3	110	2500	FXD63A250	CFD63A250

Frames - Molded Case Switch - Circuit Disconnect

Ampere Rating	Poles	FXD6	HFXD6	CFD6
250	2	FXD62S250A	HFXD62S250A	CFD63S250A
250	3	FXD63S250A	HFXD63S250A	—

Terminals / Wire Ranges (Lug Information)

Lugs For 75°C Wire	
Catalog Number	Wire Range
TA1FD350A	#6—350 kcmil Cu #4—350 kcmil Al
TC1FD350	#6—350 kcmil Cu
Compression Lug	
CCF250	350 kcmil Cu/Al

Shunt Trip Combinations

Control Voltage		1 Shunt Trip
AC	DC	Catalog Number
24	—	S17FD60
120	—	S01FD60
240	—	S03FD60
277	—	S15FD60
480	—	S04FD60
600	—	S06FD60
—	12	S16FD60
—	24	S07FD60
—	48	S09FD60
—	125	S11FD60
—	250	S13FD60

Auxiliary Switch Combinations / Alarm Switch Combinations

Maximum Voltage		Combinations	Catalog Number
AC	DC		
240	—	1 Auxillary Switch	A01FD62
240	—	2 Auxillary Switches	A02FD62
480	—	1 Auxillary Switch	A01FD64
480	—	2 Auxillary Switches	A02FD64
—	12	2 Aux Switches- Gold Plated Contacts - For PLC Use	A01FDLV
480	250	1 Alarm Switch	B00FD64
480	250	1 Alarm Switch & 1 Auxillary Switch	C01FD64

Undervoltage Trip Combinations

Control Voltage		1 Undervoltage Trip	1 Undervoltage Trip and 1 Auxillary Switch
AC	DC	Catalog Number	Catalog Number
120	—	U01FD60	W01FD64
208	—	U02FD60	W02FD64
240	—	U03FD60	W03FD64
277	—	U16FD60	W16FD64
480	—	U06FD60	W06FD64
600	—	U08FD60	—
—	24	U13FD60	W13FD64
—	48	U14FD60	W14FD64
—	125	U10FD60	W10FD64
—	250	U12FD60	W12FD64

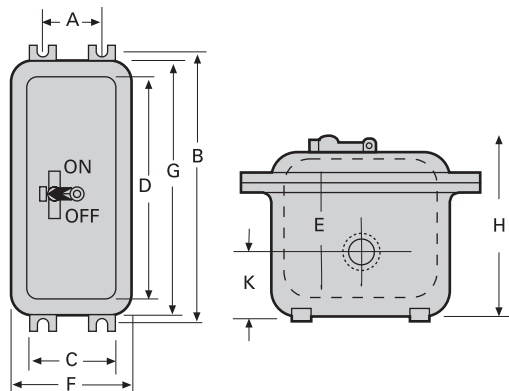


Figure 2

Enclosure

Fig. No.	Breaker Frame	Number of Poles	Maximum Current Rating	Catalog Number	Weight Lb./Ship. Package
2	FXD6, FD6, HFD6, HFXD6, CFD6	2-3	250	EC2	85

Dimensions (inches)										Knockouts	
										Conduit Size	
A	B	C	D	E	F	G	H	K		Std.	Max
10 1/4	22 5/8	11 3/4	20	6 1/2	15 3/8	23 7/8	8 1/4	2 3/4		2 1/2	2

Siemens Industry, Inc.
5400 Triangle Parkway
Norcross, GA 30092

1-800-241-4453
info.us@siemens.com

Order No. CBDS-FDN79-1116 | Printed in USA |
© 2016, Siemens Industry, Inc.

usa.siemens.com/circuitbreakers

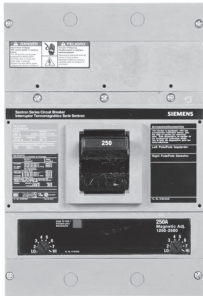
Subject to changes and errors. The information given in this document only contains general descriptions and/or performance features which may not always specifically reflect those described, or which may undergo modification in the course of further development of the products. The requested performance features are binding only when they are expressly agreed upon in the concluded contract.

Sentron Circuit Breaker Cut Sheets with Enclosure for JD

JD-Frame Sentron™ Series Circuit Breakers

NEMA Type 1; 2 & 3-Pole; 200-400 Amperes

Molded Case Circuit Breakers



Ratings & Markings (UL 489 AIR Interrupting Ratings)

Breaker Type	RMS Symmetrical Amperes (kA)						Frame Only - Interchangeable trip		
	Volts AC (50/60Hz)			Volts DC		Breaker Type	Frame (2-Pole)	Frame (3-Pole)	
	240	480	600	250	500				
JXD2-A	65	—	—	30 (2-P)	—	—	—	—	
JXD6-A, JD6-A	65	35	25	30 (2-P)	25 (3-P)	JD6	JD62F400	JD63F400	
HJD6-A, HJXD6-A	100	65	35	30 (2-P)	35 (3-P)	HJD6	HJD62F400	HJD63F400	
HHJD6, HHJXD6	200	100	50	—	—	HHJD6	HHJD62F400	HHJD63F400	
CJD6-A	200	150	100	30 (2-P)	50 (3-P)	—	—	—	

Dimensions

Breaker Type	Length	Width	Depth	D-1 (to handle)
JXD2-A, JXD6-A, JD6-A, HJD6-A, HJXD6-A, HHJD6, HJD6, HJXD6, HHJXD6, JXD6-ETI	11 in.	7.5 in.	4 in.	5.44 in.
CJD6, CJD6-ETI	17.86 in.	7.5 in.	4 in.	5.44 in.

Frames

Trip Amperage	Poles	Breaker Type - Non-Interchangeable					Breaker-Type Interchangeable				Trip Unit only
		JXD2-A	JXD6-A	HJXD6	HHJXD6	CJD6-A	JD6-A	HJD6-A	HHJD6		
200	2	JXD22B200	JXD62B200	HJXD62B200	—	—	JD62B200	HJD62B200	HHJD62B200	JD62T200	
225	2	JXD22B225	JXD62B225	HJXD62B225	—	—	JD62B225	HJD62B225	HHJD62B225	JD62T225	
250	2	JXD22B250	JXD62B250	HJXD62B250	—	—	JD62B250	HJD62B250	HHJD62B250	JD62T250	
300	2	JXD22B300	JXD62B300	HJXD62B300	—	—	JD62B300	HJD62B300	HHJD62B300	JD62T300	
350	2	JXD22B350	JXD62B350	HJXD62B350	—	—	JD62B350	HJD62B350	HHJD62B350	JD62T350	
400	2	JXD22B400	JXD62B400	HJXD62B400	—	—	JD62B400	HJD62B400	HHJD62B400	JD62T400	
200	3	JXD23B200	JXD63B200	HJXD63B200	HHJXD62B200	CJD63B200	JD63B200	HJD63B200	HHJD62B200	JD63T200	
225	3	JXD23B225	JXD63B225	HJXD63B225	HHJXD62B225	CJD63B225	JD63B225	HJD63B225	HHJD62B225	JD63T225	
250	3	JXD23B250	JXD63B250	HJXD63B250	HHJXD62B250	CJD63B250	JD63B250	HJD63B250	HHJD62B250	JD63T250	
300	3	JXD23B300	JXD63B300	HJXD63B300	HHJXD62B300	CJD63B300	JD63B300	HJD63B300	HHJD62B300	JD63T300	
350	3	JXD23B350	JXD63B350	HJXD63B350	HHJXD62B350	CJD63B350	JD63B350	HJD63B350	HHJD62B350	JD63T350	
400	3	JXD23B400	JXD63B400	HJXD63B400	HHJXD62B400	CJD63B400	JD63B400	HJD63B400	HHJD62B400	JD63T400	

Frames - Magnetic Trip Only - ETI Motor Circuit Protector

Ampere Rating	Minimum	Maximum	Breaker Type	2-pole	3-pole
400	1250	2500	JXD6	—	JX63L400
400	2000	4000	JXD6	JXD62H400	JXD63H400
400	1250	2500	CJD6	CJD62L400	CJD63L400
400	2000	4000	CJD6	CJD62H400	CJD63H400

Frames - Molded Case Switch - Circuit Disconnect

Ampere Rating	Poles	JXD2	HJXD6	CJD6
400	2	JXD22S400A	—	—
400	3	JXD23S400A	HJXD63S600A	CJD63S400A
400	3	JXD63S400A	—	—

Lugs For 75°C Wire

Catalog Number	Cables Per Lug	Wire Range
TA2J6500	1, 2	#3/0-500 kcmil Cu
	2	#4/0-500 kcmil Al
TA1L6750	1	500-750 kcmil Al
	1	500-600 kcmil Cu
TC1J6600	1	#3/0-600 kcmil Cu
TC2J6500	1, 2	#3/0-500 kcmil Cu
Compression Lug		
CCL600	1	500 kcmil Cu/Al

Shunt Trip Combinations

Control Voltage		1 Shunt Trip	1 Shunt Trip and 1 Auxiliary Switch
AC	DC	Catalog Number	Catalog Number
24	—	S17JLD6	—
48	—	S18JLD6	—
120	—	S01JLD6	S01JLD62A
240	—	S03JLD6	S03JLD62A
277	—	S15JLD6	S15JLD64A
480	—	S04JLD6	—
—	12	S16JLD6	S16JLD62A
—	24	S07JLD6	S07JLD62A
—	48	S09JLD6	S09JLD62A
—	125	S11JLD6	S11JLD62A
—	250	S13JLD6	S13JLD62A

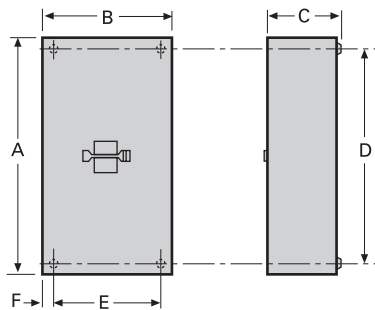


Figure 3

Auxiliary Switch Combinations

Maximum Voltage		1 Form C	2 Form C
AC	DC	Catalog Number	Catalog Number
480	250	A01JLD64	A02JLD64
—	12	A01JLDLV	A02JLDLV

Alarm Switch Combinations

Maximum Voltage		1 Alarm Switch	1 Alarm Switch and 1 Auxiliary Switch	1 Alarm Switch and 2 Auxiliary Switches
AC	DC	Catalog Number	Catalog Number	Catalog Number
480	250	B01JLD64	A01JLD64B	A02JLD64B

Undervoltage Trip Combinations

Control Voltage		1 Undervoltage Trip	1 Undervoltage Trip and 1 Auxiliary Switch	1 Undervoltage Trip and 2 Auxiliary Switches
AC	DC	Catalog Number	Catalog Number	Catalog Number
120	—	U01JLD6	U01JLD62A	U01JLD62AA
208	—	U02JLD6	U02JLD62A	U02JLD62AA
240	—	U03JLD6	U03JLD62A	U03JLD62AA
480	—	U06JLD6	U06JLD64A	U06JLD64AA
—	24	U13JLD6	U13JLD62A	U13JLD62AA
—	48	U14JLD6	U14JLD62A	U14JLD62AA
—	125	U10JLD6	U10JLD62A	U10JLD62AA
—	250	U12JLD6	U12JLD62A	U12JLD62AA

Enclosure

Fig. No.	Breaker Frame	Number of Poles	Maximum Current Rating	Catalog Number	Weight Lb./Ship. Package
3	JXD2, JD6, JXD6, HJD6, HJXD6, HHJD6, HHJXD6	2-3	400	J6N1	120
3	CJD6	2-3	600	LD6N1	101

Breaker Frame	Dimensions (inches)					
	A	B	C	D	E	F
JXD2, JD6, JXD6, HJD6, HJXD6, HHJD6, HHJXD6	41 ³ / ₁₆	22 ²⁷ / ₆₄	10 ⁴⁵ / ₆₄	37	18 ¹ / ₄	2 ⁵ / ₆₄
CJD6	46	22 ²⁷ / ₆₄	10 ⁴⁵ / ₆₄	42	18 ¹ / ₄	2 ⁵ / ₆₄

Siemens Industry, Inc.
5400 Triangle Parkway
Norcross, GA 30092

1-800-241-4453
info.us@siemens.com

Order No. CBDS-JDN01-1116 | Printed in USA |
© 2016, Siemens Industry, Inc.

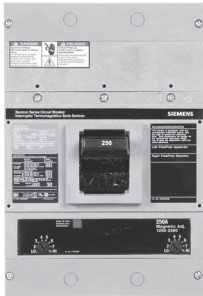
usa.siemens.com/circuitbreakers

Subject to changes and errors. The information given in this document only contains general descriptions and/or performance features which may not always specifically reflect those described, or which may undergo modification in the course of further development of the products. The requested performance features are binding only when they are expressly agreed upon in the concluded contract.

JD-Frame Sentron™ Series Circuit Breakers

NEMA Type 3R; 2 & 3-Pole; 200-400 Amperes

Molded Case Circuit Breakers



Ratings & Markings (UL 489 AIR Interrupting Ratings)

Breaker Type	RMS Symmetrical Amperes (kA)						Frame Only - Interchangeable trip		
	Volts AC (50/60Hz)			Volts DC		Breaker Type	Frame (2-Pole)	Frame (3-Pole)	
	240	480	600	250	500				
JXD2-A	65	—	—	30 (2-P)	—	—	—	—	
JXD6-A, JD6-A	65	35	25	30 (2-P)	25 (3-P)	JD6	JD62F400	JD63F400	
HJD6-A, HJXD6-A	100	65	35	30 (2-P)	35 (3-P)	HJD6	HJD62F400	HJD63F400	
HHJD6, HHJXD6	200	100	50	—	—	HHJD6	HHJD62F400	HHJD63F400	
CJD6-A	200	150	100	30 (2-P)	50 (3-P)	—	—	—	

Dimensions

Breaker Type	Length	Width	Depth	D-1 (to handle)
JXD2-A, JXD6-A, JD6-A, HJD6-A, HJXD6-A, HHJD6, HJD6, HJXD6, HHJXD6, JXD6-ETI	11 in.	7.5 in.	4 in.	5.44 in.
CJD6, CJD6-ETI	17.86 in.	7.5 in.	4 in.	5.44 in.

Frames

Trip Amperage	Poles	Breaker Type - Non-Interchangeable					Breaker-Type Interchangeable			Trip Unit only
		JXD2-A	JXD6-A	HJXD6	HHJXD6	CJD6-A	JD6-A	HJD6-A	HHJD6	
200	2	JXD22B200	JXD62B200	HJXD62B200	—	—	JD62B200	HJD62B200	HHJD62B200	JD62T200
225	2	JXD22B225	JXD62B225	HJXD62B225	—	—	JD62B225	HJD62B225	HHJD62B225	JD62T225
250	2	JXD22B250	JXD62B250	HJXD62B250	—	—	JD62B250	HJD62B250	HHJD62B250	JD62T250
300	2	JXD22B300	JXD62B300	HJXD62B300	—	—	JD62B300	HJD62B300	HHJD62B300	JD62T300
350	2	JXD22B350	JXD62B350	HJXD62B350	—	—	JD62B350	HJD62B350	HHJD62B350	JD62T350
400	2	JXD22B400	JXD62B400	HJXD62B400	—	—	JD62B400	HJD62B400	HHJD62B400	JD62T400
200	3	JXD23B200	JXD63B200	HJXD63B200	HHJXD62B200	CJD63B200	JD63B200	HJD63B200	HHJD62B200	JD63T200
225	3	JXD23B225	JXD63B225	HJXD63B225	HHJXD62B225	CJD63B225	JD63B225	HJD63B225	HHJD62B225	JD63T225
250	3	JXD23B250	JXD63B250	HJXD63B250	HHJXD62B250	CJD63B250	JD63B250	HJD63B250	HHJD62B250	JD63T250
300	3	JXD23B300	JXD63B300	HJXD63B300	HHJXD62B300	CJD63B300	JD63B300	HJD63B300	HHJD62B300	JD63T300
350	3	JXD23B350	JXD63B350	HJXD63B350	HHJXD62B350	CJD63B350	JD63B350	HJD63B350	HHJD62B350	JD63T350
400	3	JXD23B400	JXD63B400	HJXD63B400	HHJXD62B400	CJD63B400	JD63B400	HJD63B400	HHJD62B400	JD63T400

Frames - Magnetic Trip Only - ETI Motor Circuit Protector

Ampere Rating	Minimum	Maximum	Breaker Type	2-pole	3-pole
400	1250	2500	JXD6	—	JX63L400
400	2000	4000	JXD6	JXD62H400	JXD63H400
400	1250	2500	CJD6	CJD62L400	CJD63L400
400	2000	4000	CJD6	CJD62H400	CJD63H400

Frames - Molded Case Switch - Circuit Disconnect

Ampere Rating	Poles	JXD2	HJXD6	CJD6
400	2	JXD22S400A	—	—
400	3	JXD23S400A	HJXD63S600A	CJD63S400A
400	3	JXD63S400A	—	—

Lugs For 75°C Wire

Catalog Number	Cables Per Lug	Wire Range
TA2J6500	1, 2	#3/0-500 kcmil Cu
	2	#4/0-500 kcmil Al
TA1L6750	1	500-750 kcmil Al
	1	500-600 kcmil Cu
TC1J6600	1	#3/0-600 kcmil Cu
TC2J6500	1, 2	#3/0-500 kcmil Cu
Compression Lug		
CCL600	1	500 kcmil Cu/Al

Shunt Trip Combinations

Control Voltage		1 Shunt Trip	1 Shunt Trip and 1 Auxiliary Switch
AC	DC	Catalog Number	Catalog Number
24	—	S17JLD6	—
48	—	S18JLD6	—
120	—	S01JLD6	S01JLD62A
240	—	S03JLD6	S03JLD62A
277	—	S15JLD6	S15JLD64A
480	—	S04JLD6	—
—	12	S16JLD6	S16JLD62A
—	24	S07JLD6	S07JLD62A
—	48	S09JLD6	S09JLD62A
—	125	S11JLD6	S11JLD62A
—	250	S13JLD6	S13JLD62A

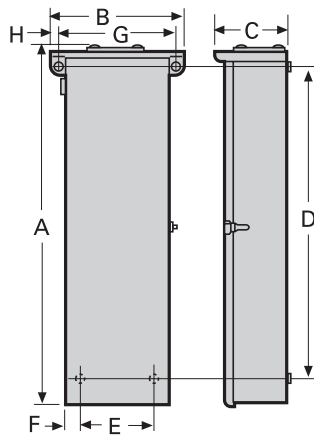


Figure 1

Auxiliary Switch Combinations

Maximum Voltage		1 Form C	2 Form C
AC	DC	Catalog Number	Catalog Number
480	250	A01JLD64	A02JLD64
—	12	A01JLDLV	A02JLDLV

Alarm Switch Combinations

Maximum Voltage		1 Alarm Switch	1 Alarm Switch and 1 Auxiliary Switch	1 Alarm Switch and 2 Auxiliary Switches
AC	DC	Catalog Number	Catalog Number	Catalog Number
480	250	B01JLD64	A01JLD64B	A02JLD64B

Undervoltage Trip Combinations

Control Voltage		1 Undervoltage Trip	1 Undervoltage Trip and 1 Auxiliary Switch	1 Undervoltage Trip and 2 Auxiliary Switches
AC	DC	Catalog Number	Catalog Number	Catalog Number
120	—	U01JLD6	U01JLD62A	U01JLD62AA
208	—	U02JLD6	U02JLD62A	U02JLD62AA
240	—	U03JLD6	U03JLD62A	U03JLD62AA
480	—	U06JLD6	U06JLD64A	U06JLD64AA
—	24	U13JLD6	U13JLD62A	U13JLD62AA
—	48	U14JLD6	U14JLD62A	U14JLD62AA
—	125	U10JLD6	U10JLD62A	U10JLD62AA
—	250	U12JLD6	U12JLD62A	U12JLD62AA
—	125	U10FD60	W10FD64	—
—	250	U12FD60	W12FD64	—

Enclosure

Fig. No.	Breaker Frame	Number of Poles	Maximum Current Rating	Catalog Number	Weight Lb./Ship. Package
1	JXD2, JD6, JXD6, HJD6, HJXD6, HHJD6, HHJXD6	2-3	400	J6N3R	126
1	CJD6	2-3	600	LD6N3R	137

Breaker Frame	Dimensions (inches)							
	A	B	C	D	E	F	G	H
JXD2, JD6, JXD6, HJD6, HJXD6, HHJD6, HHJXD6	40 ⁶³ / ₆₄	26 ³ / ₄	11 ²³ / ₃₂	35 ³ / ₄	18 ¹ / ₄	2 ¹ / ₈	24 ¹ / ₂	1 ¹ / ₈
CJD6	45 ⁶³ / ₆₄	26 ³ / ₄	11 ²³ / ₃₂	40 ³ / ₄	18 ¹ / ₄	2 ¹ / ₈	24 ¹ / ₂	1 ¹ / ₈

Siemens Industry, Inc.
5400 Triangle Parkway
Norcross, GA 30092

1-800-241-4453
info.us@siemens.com

Order No. CBDS-JDN3R-1116 | Printed in USA |
© 2016, Siemens Industry, Inc.

usa.siemens.com/circuitbreakers

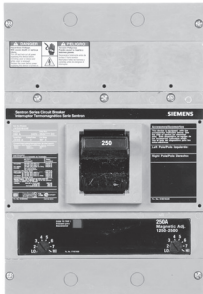
Subject to changes and errors. The information given in this document only contains general descriptions and/or performance features which may not always specifically reflect those described, or which may undergo modification in the course of further development of the products. The requested performance features are binding only when they are expressly agreed upon in the concluded contract.

JD-Frame Sentron™ Series Circuit Breakers

NEMA Type 12; 2 & 3-Pole; 200-400 Amperes

Molded Case Circuit Breakers

Ratings & Markings (UL 489 AIR Interrupting Ratings)



Breaker Type	RMS Symmetrical Amperes (kA)						Frame Only - Interchangeable trip		
	Volts AC (50/60Hz)			Volts DC		Breaker Type	Frame (2-Pole)	Frame (3-Pole)	
	240	480	600	250	500				
JXD2-A	65	—	—	30 (2-P)	—	—	—	—	
JXD6-A, JD6-A	65	35	25	30 (2-P)	25 (3-P)	JD6	JD62F400	JD63F400	
HJD6-A, HJXD6-A	100	65	35	30 (2-P)	35 (3-P)	HJD6	HJD62F400	HJD63F400	
HHJD6, HHJXD6	200	100	50	—	—	HHJD6	HHJD62F400	HHJD63F400	
CJD6-A	200	150	100	30 (2-P)	50 (3-P)	—	—	—	

Dimensions

Breaker Type	Length	Width	Depth	D-1 (to handle)
JXD2-A, JXD6-A, JD6-A, HJD6-A, HJXD6-A, HHJD6, HJD6, HJXD6, HHJXD6, JXD6-ETI	11 in.	7.5 in.	4 in.	5.44 in.
CJD6, CJD6-ETI	17.86 in.	7.5 in.	4 in.	5.44 in.

Frames

Trip Amperage	Poles	Breaker Type - Non-Interchangeable					Breaker-Type Interchangeable			Trip Unit only
		JXD2-A	JXD6-A	HJXD6	HHJXD6	CJD6-A	JD6-A	HJD6-A	HHJD6	
200	2	JXD22B200	JXD62B200	HJXD62B200	—	—	JD62B200	HJD62B200	HHJD62B200	JD62T200
225	2	JXD22B225	JXD62B225	HJXD62B225	—	—	JD62B225	HJD62B225	HHJD62B225	JD62T225
250	2	JXD22B250	JXD62B250	HJXD62B250	—	—	JD62B250	HJD62B250	HHJD62B250	JD62T250
300	2	JXD22B300	JXD62B300	HJXD62B300	—	—	JD62B300	HJD62B300	HHJD62B300	JD62T300
350	2	JXD22B350	JXD62B350	HJXD62B350	—	—	JD62B350	HJD62B350	HHJD62B350	JD62T350
400	2	JXD22B400	JXD62B400	HJXD62B400	—	—	JD62B400	HJD62B400	HHJD62B400	JD62T400
200	3	JXD23B200	JXD63B200	HJXD63B200	HHJXD62B200	CJD63B200	JD63B200	HJD63B200	HHJD62B200	JD63T200
225	3	JXD23B225	JXD63B225	HJXD63B225	HHJXD62B225	CJD63B225	JD63B225	HJD63B225	HHJD62B225	JD63T225
250	3	JXD23B250	JXD63B250	HJXD63B250	HHJXD62B250	CJD63B250	JD63B250	HJD63B250	HHJD62B250	JD63T250
300	3	JXD23B300	JXD63B300	HJXD63B300	HHJXD62B300	CJD63B300	JD63B300	HJD63B300	HHJD62B300	JD63T300
350	3	JXD23B350	JXD63B350	HJXD63B350	HHJXD62B350	CJD63B350	JD63B350	HJD63B350	HHJD62B350	JD63T350
400	3	JXD23B400	JXD63B400	HJXD63B400	HHJXD62B400	CJD63B400	JD63B400	HJD63B400	HHJD62B400	JD63T400

Frames - Magnetic Trip Only - ETI Motor Circuit Protector

Ampere Rating	Minimum	Maximum	Breaker Type	2-pole	3-pole
400	1250	2500	JXD6	—	JX63L400
400	2000	4000	JXD6	JXD62H400	JXD63H400
400	1250	2500	CJD6	CJD62L400	CJD63L400
400	2000	4000	CJD6	CJD62H400	CJD63H400

Frames - Molded Case Switch - Circuit Disconnect

Ampere Rating	Poles	JXD2	HJXD6	CJD6
400	2	JXD22S400A	—	—
400	3	JXD23S400A	HJXD63S600A	CJD63S400A
400	3	JXD63S400A	—	—

Lugs For 75°C Wire

Catalog Number	Cables Per Lug	Wire Range
TA2J6500	1, 2	#3/0-500 kcmil Cu
	2	#4/0-500 kcmil Al
TA1L6750	1	500-750 kcmil Al
	1	500-600 kcmil Cu
TC1J6600	1	#3/0-600 kcmil Cu
TC2J6500	1, 2	#3/0-500 kcmil Cu
Compression Lug		
CCL600	1	500 kcmil Cu/Al

Shunt Trip Combinations

Control Voltage		1 Shunt Trip	1 Shunt Trip and 1 Auxiliary Switch
AC	DC	Catalog Number	Catalog Number
24	—	S17JLD6	—
48	—	S18JLD6	—
120	—	S01JLD6	S01JLD62A
240	—	S03JLD6	S03JLD62A
277	—	S15JLD6	S15JLD64A
480	—	S04JLD6	—
—	12	S16JLD6	S16JLD62A
—	24	S07JLD6	S07JLD62A
—	48	S09JLD6	S09JLD62A
—	125	S11JLD6	S11JLD62A
—	250	S13JLD6	S13JLD62A

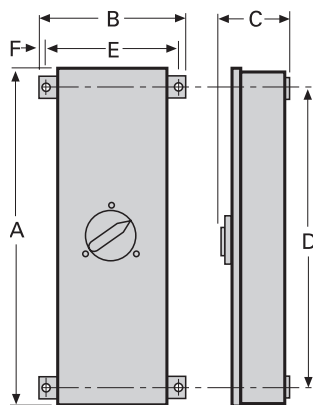


Figure 3

Auxiliary Switch Combinations

Maximum Voltage		1 Form C	2 Form C
AC	DC	Catalog Number	Catalog Number
480	250	A01JLD64	A02JLD64
—	12	A01JLDLV	A02JLDLV

Alarm Switch Combinations

Maximum Voltage		1 Alarm Switch	1 Alarm Switch and 1 Auxiliary Switch	1 Alarm Switch and 2 Auxiliary Switches
AC	DC	Catalog Number	Catalog Number	Catalog Number
480	250	B01JLD64	A01JLD64B	A02JLD64B

Undervoltage Trip Combinations

Control Voltage		1 Undervoltage Trip	1 Undervoltage Trip and 1 Auxiliary Switch	1 Undervoltage Trip and 2 Auxiliary Switches
AC	DC	Catalog Number	Catalog Number	Catalog Number
120	—	U01JLD6	U01JLD62A	U01JLD62AA
208	—	U02JLD6	U02JLD62A	U02JLD62AA
240	—	U03JLD6	U03JLD62A	U03JLD62AA
480	—	U06JLD6	U06JLD64A	U06JLD64AA
—	24	U13JLD6	U13JLD62A	U13JLD62AA
—	48	U14JLD6	U14JLD62A	U14JLD62AA
—	125	U10JLD6	U10JLD62A	U10JLD62AA
—	250	U12JLD6	U12JLD62A	U12JLD62AA

Enclosure

Fig. No.	Breaker Frame	Number of Poles	Maximum Current Rating	Catalog Number	Weight Lb./Ship. Package
3	JXD2, JD6, JXD6, HJD6, HJXD6, HHJD6, HHJXD6	2-3	400	J6N12	104
3	CJD6	2-3	600	LD6N12	104

Breaker Frame	Dimensions (inches)					
	A	B	C	D	E	F
JXD2, JD6, JXD6, HJD6, HJXD6, HHJD6, HHJXD6	42 1/2	21 5/8	11 7/8	37 5/32	20 3/8	5/8
CJD6	46 1/2	21 5/8	11 7/8	42 5/32	20 3/8	5/8

Siemens Industry, Inc.
5400 Triangle Parkway
Norcross, GA 30092

1-800-241-4453
info.us@siemens.com

Order No. CBDS-JDN12-1116 | Printed in USA |
© 2016, Siemens Industry, Inc.

usa.siemens.com/circuitbreakers

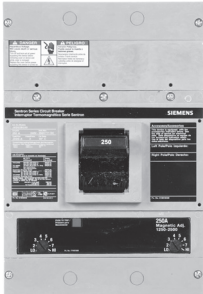
Subject to changes and errors. The information given in this document only contains general descriptions and/or performance features which may not always specifically reflect those described, or which may undergo modification in the course of further development of the products. The requested performance features are binding only when they are expressly agreed upon in the concluded contract.

JD-Frame Sentron™ Series Circuit Breakers

NEMA Type 4X; 2 & 3-Pole; 200-400 Amperes

Molded Case Circuit Breakers

Ratings & Markings (UL 489 AIR Interrupting Ratings)



Breaker Type	RMS Symmetrical Amperes (kA)					Frame Only - Interchangeable trip		
	Volts AC (50/60Hz)			Volts DC		Breaker Type	Frame (2-Pole)	Frame (3-Pole)
	240	480	600	250	500			
JXD2-A	65	—	—	30 (2-P)	—	—	—	—
JXD6-A, JD6-A	65	35	25	30 (2-P)	25 (3-P)	JD6	JD62F400	JD63F400
HJD6-A, HJXD6-A	100	65	35	30 (2-P)	35 (3-P)	HJD6	HJD62F400	HJD63F400
HHJD6, HHJXD6	200	100	50	—	—	HHJD6	HHJD62F400	HHJD63F400
CJD6-A	200	150	100	30 (2-P)	50 (3-P)	—	—	—

Dimensions

Breaker Type	Length	Width	Depth	D-1 (to handle)
JXD2-A, JXD6-A, JD6-A, HJD6-A, HJXD6-A, HHJD6, HJD6, HJXD6, HHJXD6, JXD6-ETI, SJD6, SHJD6	11 in.	7.5 in.	4 in.	5.44 in.
CJD6, CJD6-ETI, SCJD6	17.86 in.	7.5 in.	4 in.	5.44 in.

Frames

Trip Amperage	Poles	Breaker Type - Non-Interchangeable					Breaker-Type Interchangeable				Trip Unit only
		JXD2-A	JXD6-A	HJXD6	HHJXD6	CJD6-A	JD6-A	HJD6-A	HHJD6		
200	2	JXD22B200	JXD62B200	HJXD62B200	—	—	JD62B200	HJD62B200	HHJD62B200	JD62T200	
225	2	JXD22B225	JXD62B225	HJXD62B225	—	—	JD62B225	HJD62B225	HHJD62B225	JD62T225	
250	2	JXD22B250	JXD62B250	HJXD62B250	—	—	JD62B250	HJD62B250	HHJD62B250	JD62T250	
300	2	JXD22B300	JXD62B300	HJXD62B300	—	—	JD62B300	HJD62B300	HHJD62B300	JD62T300	
350	2	JXD22B350	JXD62B350	HJXD62B350	—	—	JD62B350	HJD62B350	HHJD62B350	JD62T350	
400	2	JXD22B400	JXD62B400	HJXD62B400	—	—	JD62B400	HJD62B400	HHJD62B400	JD62T400	
200	3	JXD23B200	JXD63B200	HJXD63B200	HHJXD62B200	CJD63B200	JD63B200	HJD63B200	HHJD62B200	JD63T200	
225	3	JXD23B225	JXD63B225	HJXD63B225	HHJXD62B225	CJD63B225	JD63B225	HJD63B225	HHJD62B225	JD63T225	
250	3	JXD23B250	JXD63B250	HJXD63B250	HHJXD62B250	CJD63B250	JD63B250	HJD63B250	HHJD62B250	JD63T250	
300	3	JXD23B300	JXD63B300	HJXD63B300	HHJXD62B300	CJD63B300	JD63B300	HJD63B300	HHJD62B300	JD63T300	
350	3	JXD23B350	JXD63B350	HJXD63B350	HHJXD62B350	CJD63B350	JD63B350	HJD63B350	HHJD62B350	JD63T350	
400	3	JXD23B400	JXD63B400	HJXD63B400	HHJXD62B400	CJD63B400	JD63B400	HJD63B400	HHJD62B400	JD63T400	

Frames - Magnetic Trip Only - ETI Motor Circuit Protector

Ampere Rating	Minimum	Maximum	Breaker Type	2-pole	3-pole
400	1250	2500	JXD6	—	JX63L400
400	2000	4000	JXD6	JXD62H400	JXD63H400
400	1250	2500	CJD6	CJD62L400	CJD63L400
400	2000	4000	CJD6	CJD62H400	CJD63H400

Frames - Molded Case Switch - Circuit Disconnect

Ampere Rating	Poles	JXD2	HJXD6	CJD6
400	2	JXD22S400A	—	—
400	3	JXD23S400A	HJXD63S600A	CJD63S400A
400	3	JXD63S400A	—	—

Lugs For 75°C Wire

Catalog Number	Cables Per Lug	Wire Range
TA2J6500	1, 2	#3/0-500 kcmil Cu
	2	#4/0-500 kcmil Al
TA1L6750	1	500-750 kcmil Al
	1	500-600 kcmil Cu
TC1J6600	1	#3/0-600 kcmil Cu
TC2J6500	1, 2	#3/0-500 kcmil Cu
Compression Lug		
CCL600	1	500 kcmil Cu/Al

Shunt Trip Combinations

Control Voltage		1 Shunt Trip	1 Shunt Trip and 1 Auxiliary Switch
AC	DC	Catalog Number	Catalog Number
24	—	S17JLD6	—
48	—	S18JLD6	—
120	—	S01JLD6	S01JLD62A
240	—	S03JLD6	S03JLD62A
277	—	S15JLD6	S15JLD64A
480	—	S04JLD6	—
—	12	S16JLD6	S16JLD62A
—	24	S07JLD6	S07JLD62A
—	48	S09JLD6	S09JLD62A
—	125	S11JLD6	S11JLD62A
—	250	S13JLD6	S13JLD62A

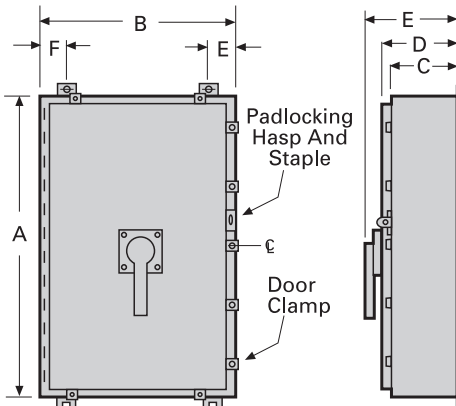


Figure 1A

Auxillary Switch Combinations

Maximum Voltage		1 Form C	2 Form C
AC	DC	Catalog Number	Catalog Number
480	250	A01JLD64	A02JLD64
—	12	A01JLDLV	A02JLDLV

Alarm Switch Combinations

Maximum Voltage		1 Alarm Switch	1 Alarm Switch and 1 Auxiliary Switch	1 Alarm Switch and 2 Auxiliary Switches
AC	DC	Catalog Number	Catalog Number	Catalog Number
480	250	B01JLD64	A01JLD64B	A02JLD64B

Undervoltage Trip Combinations

Control Voltage		1 Undervoltage Trip	1 Undervoltage Trip and 1 Auxiliary Switch	1 Undervoltage Trip and 2 Auxiliary Switches
AC	DC	Catalog Number	Catalog Number	Catalog Number
120	—	U01JLD6	U01JLD62A	U01JLD62AA
208	—	U02JLD6	U02JLD62A	U02JLD62AA
240	—	U03JLD6	U03JLD62A	U03JLD62AA
480	—	U06JLD6	U06JLD64A	U06JLD64AA
—	24	U13JLD6	U13JLD62A	U13JLD62AA
—	48	U14JLD6	U14JLD62A	U14JLD62AA
—	125	U10JLD6	U10JLD62A	U10JLD62AA
—	250	U12JLD6	U12JLD62A	U12JLD62AA

Enclosure

Fig. No.	Breaker Frame	Number of Poles	Maximum Current Rating	Catalog Number	Weight Lb./Ship. Package
1A	JXD2, JD6, JXD6, HJD6, HJXD6, HHJD6, HHJXD6	2-3	600	LD6SS4	145

Breaker Frame	Dimensions (inches)					
	A	B	C	D	E	F
JXD2, JD6, JXD6, HJD6, HJXD6, HHJD6, HHJXD6	42	30	10	11½	13¾	3

Siemens Industry, Inc.
5400 Triangle Parkway
Norcross, GA 30092

1-800-241-4453
info.us@siemens.com

Order No. CBDS-JD44X-1116 | Printed in USA |
© 2016, Siemens Industry, Inc.

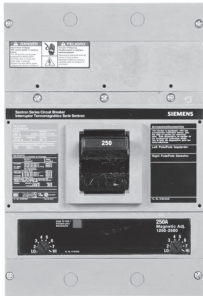
usa.siemens.com/circuitbreakers

Subject to changes and errors. The information given in this document only contains general descriptions and/or performance features which may not always specifically reflect those described, or which may undergo modification in the course of further development of the products. The requested performance features are binding only when they are expressly agreed upon in the concluded contract.

JD-Frame Sentron™ Series Circuit Breakers

NEMA Types 7 & 9; 2 & 3-Pole; 200-400 Amperes

Molded Case Circuit Breakers



Ratings & Markings (UL 489 AIR Interrupting Ratings)

Breaker Type	RMS Symmetrical Amperes (kA)						Frame Only - Interchangeable trip		
	Volts AC (50/60Hz)			Volts DC		Breaker Type	Frame (2-Pole)	Frame (3-Pole)	
	240	480	600	250	500				
JXD2-A	65	—	—	30 (2-P)	—	—	—	—	
JXD6-A, JD6-A	65	35	25	30 (2-P)	25 (3-P)	JD6	JD62F400	JD63F400	
HJD6-A, HJXD6-A	100	65	35	30 (2-P)	35 (3-P)	HJD6	HJD62F400	HJD63F400	
HHJD6, HHJXD6	200	100	50	—	—	HHJD6	HHJD62F400	HHJD63F400	
CJD6-A	200	150	100	30 (2-P)	50 (3-P)	—	—	—	

Dimensions

Breaker Type	Length	Width	Depth	D-1 (to handle)
JXD2-A, JXD6-A, JD6-A, HJD6-A, HJXD6-A, HHJD6, HJD6, HJXD6, HHJXD6, JXD6-ETI	11 in.	7.5 in.	4 in.	5.44 in.
CJD6, CJD6-ETI	17.86 in.	7.5 in.	4 in.	5.44 in.

Frames

Trip Amperage	Poles	Breaker Type - Non-Interchangeable					Breaker-Type Interchangeable				Trip Unit only
		JXD2-A	JXD6-A	HJXD6	HHJXD6	CJD6-A	JD6-A	HJD6-A	HHJD6		
200	2	JXD22B200	JXD62B200	HJXD62B200	—	—	JD62B200	HJD62B200	HHJD62B200	JD62T200	
225	2	JXD22B225	JXD62B225	HJXD62B225	—	—	JD62B225	HJD62B225	HHJD62B225	JD62T225	
250	2	JXD22B250	JXD62B250	HJXD62B250	—	—	JD62B250	HJD62B250	HHJD62B250	JD62T250	
300	2	JXD22B300	JXD62B300	HJXD62B300	—	—	JD62B300	HJD62B300	HHJD62B300	JD62T300	
350	2	JXD22B350	JXD62B350	HJXD62B350	—	—	JD62B350	HJD62B350	HHJD62B350	JD62T350	
400	2	JXD22B400	JXD62B400	HJXD62B400	—	—	JD62B400	HJD62B400	HHJD62B400	JD62T400	
200	3	JXD23B200	JXD63B200	HJXD63B200	HHJXD62B200	CJD63B200	JD63B200	HJD63B200	HHJD62B200	JD63T200	
225	3	JXD23B225	JXD63B225	HJXD63B225	HHJXD62B225	CJD63B225	JD63B225	HJD63B225	HHJD62B225	JD63T225	
250	3	JXD23B250	JXD63B250	HJXD63B250	HHJXD62B250	CJD63B250	JD63B250	HJD63B250	HHJD62B250	JD63T250	
300	3	JXD23B300	JXD63B300	HJXD63B300	HHJXD62B300	CJD63B300	JD63B300	HJD63B300	HHJD62B300	JD63T300	
350	3	JXD23B350	JXD63B350	HJXD63B350	HHJXD62B350	CJD63B350	JD63B350	HJD63B350	HHJD62B350	JD63T350	
400	3	JXD23B400	JXD63B400	HJXD63B400	HHJXD62B400	CJD63B400	JD63B400	HJD63B400	HHJD62B400	JD63T400	

Frames - Magnetic Trip Only - ETI Motor Circuit Protector

Ampere Rating	Minimum	Maximum	Breaker Type	2-pole	3-pole
400	1250	2500	JXD6	—	JX63L400
400	2000	4000	JXD6	JXD62H400	JXD63H400
400	1250	2500	CJD6	CJD62L400	CJD63L400
400	2000	4000	CJD6	CJD62H400	CJD63H400

Frames - Molded Case Switch - Circuit Disconnect

Ampere Rating	Poles	JXD2	HJXD6	CJD6
400	2	JXD22S400A	—	—
400	3	JXD23S400A	HJXD63S600A	CJD63S400A
400	3	JXD63S400A	—	—

Lugs For 75°C Wire

Catalog Number	Cables Per Lug	Wire Range
TA2J6500	1, 2	#3/0-500 kcmil Cu
	2	#4/0-500 kcmil Al
TA1L6750	1	500-750 kcmil Al
	1	500-600 kcmil Cu
TC1J6600	1	#3/0-600 kcmil Cu
TC2J6500	1, 2	#3/0-500 kcmil Cu
Compression Lug		
CCL600	1	500 kcmil Cu/Al

Shunt Trip Combinations

Control Voltage		1 Shunt Trip	1 Shunt Trip and 1 Auxiliary Switch
AC	DC	Catalog Number	Catalog Number
24	—	S17JLD6	—
48	—	S18JLD6	—
120	—	S01JLD6	S01JLD62A
240	—	S03JLD6	S03JLD62A
277	—	S15JLD6	S15JLD64A
480	—	S04JLD6	—
—	12	S16JLD6	S16JLD62A
—	24	S07JLD6	S07JLD62A
—	48	S09JLD6	S09JLD62A
—	125	S11JLD6	S11JLD62A
—	250	S13JLD6	S13JLD62A

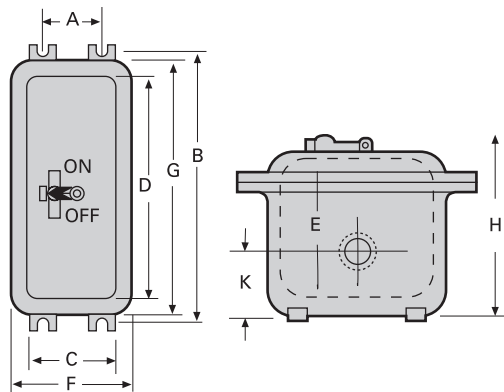


Figure 2

Auxiliary Switch Combinations

Maximum Voltage		1 Form C	2 Form C
AC	DC	Catalog Number	Catalog Number
480	250	A01JLD64	A02JLD64
—	12	A01JLDLV	A02JLDLV

Alarm Switch Combinations

Maximum Voltage		1 Alarm Switch	1 Alarm Switch and 1 Auxiliary Switch	1 Alarm Switch and 2 Auxiliary Switches
AC	DC	Catalog Number	Catalog Number	Catalog Number
480	250	B01JLD64	A01JLD64B	A02JLD64B

Undervoltage Trip Combinations

Control Voltage		1 Undervoltage Trip	1 Undervoltage Trip and 1 Auxiliary Switch	1 Undervoltage Trip and 2 Auxiliary Switches
AC	DC	Catalog Number	Catalog Number	Catalog Number
120	—	U01JLD6	U01JLD62A	U01JLD62AA
208	—	U02JLD6	U02JLD62A	U02JLD62AA
240	—	U03JLD6	U03JLD62A	U03JLD62AA
480	—	U06JLD6	U06JLD64A	U06JLD64AA
—	24	U13JLD6	U13JLD62A	U13JLD62AA
—	48	U14JLD6	U14JLD62A	U14JLD62AA
—	125	U10JLD6	U10JLD62A	U10JLD62AA
—	250	U12JLD6	U12JLD62A	U12JLD62AA

Enclosure

Fig. No.	Breaker Frame	Number of Poles	Maximum Current Rating	Catalog Number	Weight Lb./Ship. Package
2	JXD2, JD6, JXD6, HJD6, HJXD6, HHJD6, HHJXD6	2-3	200-350 300-400	EC4 EE	85 93

Breaker Frame	Dimensions (inches)									Knockouts	
	A	B	C	D	E	F	G	H	K	Std.	Max
JXD2, JD6, JXD6, HJD6, HJXD6, HHJD6, HHJXD6	10 ¼	22 ⅝	11 ¾	20	6 ½	15 ⅜	23 ⅞	8 ¼	2 ¾	2 ½	3
	8 ½	27 ⅞	10 ¾	24 ⅞	7 ¾	13 ⅞	27 ¼	9 ⅞	4	3	4

Siemens Industry, Inc.
5400 Triangle Parkway
Norcross, GA 30092

1-800-241-4453
info.us@siemens.com

Order No. CBDS-JDN79-1116 | Printed in USA |
© 2016, Siemens Industry, Inc.

usa.siemens.com/circuitbreakers

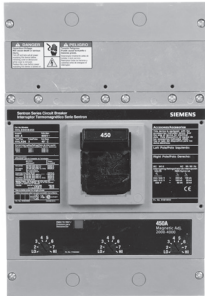
Subject to changes and errors. The information given in this document only contains general descriptions and/or performance features which may not always specifically reflect those described, or which may undergo modification in the course of further development of the products. The requested performance features are binding only when they are expressly agreed upon in the concluded contract.

Sentron Circuit Breaker Cut Sheets with Enclosure for LD

LD-Frame Sentron™ Series Circuit Breakers

NEMA Type 1; 2 & 3-Pole; 250-600 Amperes

Molded Case Circuit Breakers



Ratings & Markings (UL 489 AIR Interrupting Ratings)

Breaker Type	RMS Symmetrical Amperes (kA)						Frame Only - Interchangeable trip		
	Volts AC (50/60Hz)			Volts DC		Breaker Type	Frame (2-Pole)	Frame (3-Pole)	
	240	480	600	250	500				
LD6-A, LXD6-A	65	35	25	30 (2-P)	25 (3-P)	LD6	LD62F600	LD63F600	
HLD6-A, HLXD6-A	100	65	35	30 (2-P)	35 (3-P)	HLD6	HLD62F600	HLD63F600	
HHL6, HHLXD6	200	100	50	—	—	HHL6	HHL62F600	HHL63F600	
CLD6-A	200	150	100	—	50 (3-P)	—	—	—	

Dimensions

Breaker Type	Width	Length	Depth	D-1 (to handle)
LXD6-A, LD6-A, HLD6-A, HHL6, HHLXD6, LXD6-ETI	7.50 in.	11 in.	4.0 in.	5.44 in.
CLD6, CLD6-ETI	7.50 in.	17.86 in.	4.0 in.	5.44 in.

Frames

Trip Amperage	Poles	Breaker-Type Non-interchangeable Trip		Breaker-Type Interchangeable Trip					Trip Unit only
		LXD6-A	CLD6-A	LD6-A	HLD6-A	HLXD6	HHL6	HHLXD6	
250	2	—	—	LD62B250	HLD62B250	—	HHL62B250	—	JD62T250
300	2	—	—	LD62B300	HLD62B300	—	HHL62B300	—	JD62T300
350	2	—	—	LD62B350	HLD62B350	—	HHL62B350	—	JD62T350
400	2	—	—	LD62B400	HLD62B400	—	HHL62B400	—	JD62T400
450	2	LXD62B450	—	LD62B450	HLD62B450	—	HHL62B450	—	LD62T450
500	2	LXD62B500	—	LD62B500	HLD62B500	—	HHL62B500	—	LD62T500
600	2	LXD62B600	—	LD62B600	HLD62B600	—	HHL62B600	—	LD62T600
250	3	—	—	LD63B250	HLD63B250	HLXD63B250	HHL63B250	HHLXD63B250	JD63T250
300	3	—	—	LD63B300	HLD63B300	HLXD63B300	HHL63B300	HHLXD63B300	JD63T300
350	3	—	—	LD63B350	HLD63B350	HLXD63B350	HHL63B350	HHLXD63B350	JD63T350
400	3	—	—	LD63B400	HLD63B400	HLXD63B400	HHL63B400	HHLXD63B400	JD63T400
450	3	LXD63B450	CLD63B450	LD63B450	HLD63B450	HLXD63B450	HHL63B450	HHLXD63B450	LD63T450
500	3	LXD63B500	CLD63B500	LD63B500	HLD63B500	HLXD63B500	HHL63B500	HHLXD63B500	LD63T500
600	3	LXD63B600	CLD63B600	LD63B600	HLD63B600	HLXD63B600	HHL63B600	HHLXD63B600	LD63T600

Frames - Magnetic Trip Only - ETI Motor Circuit Protector

Ampere Rating	Poles	Minimum	Maximum	LXD6	CLD6
600	2	2000	4000	LXD62L600	CLD62L600
600	2	3000	6000	—	CLD62H600
600	3	3000	6000	LXD63L600	CLD63L600
600	3	2000	4000	LXD63H600	CLD63H600

Frames - Molded Case Switch - Circuit Disconnect

Ampere Rating	Poles	JXD2	HJXD6	CJD6
600	3	LXD63S600A	HLD63S600A	CLD63S600A

Lugs For 75°C Wire

Catalog Number	Cables Per Lug	Wire Range
TA2J6500	1, 2	#3/0-500 kcmil Cu
	2	#4/0-500 kcmil Al
TC2J6500	2	#3/0-500 kcmil Cu
TA1L6750	1	500-750 kcmil Al
	1	500-600 kcmil Cu
TC1J6600	1	#3/0-600 kcmil Cu
Compression Lug		
CCL600	1	500 kcmil Cu/Al

Shunt Trip Combinations

Control Voltage		1 Shunt Trip	1 Shunt Trip and 1 Auxiliary Switch
AC	DC	Catalog Number	Catalog Number
24	—	S17JLD6	—
48	—	S18JLD6	—
120	—	S01JLD6	S01JLD62A
240	—	S03JLD6	S03JLD62A
277	—	S15JLD6	S15JLD64A
480	—	S04JLD6	—
—	12	S16JLD6	S16JLD62A
—	24	S07JLD6	S07JLD62A
—	48	S09JLD6	S09JLD62A
—	125	S11JLD6	S11JLD62A
—	250	S13JLD6	S13JLD62A

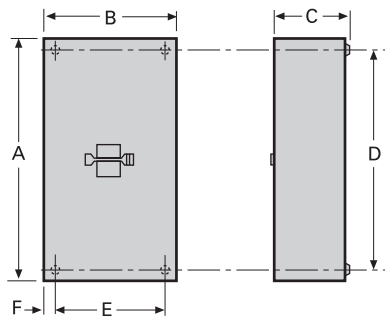


Figure 3

Auxiliary Switch Combinations

Maximum Voltage		1 Form C	2 Form C
AC	DC	Catalog Number	Catalog Number
480	250	A01JLD64	A02JLD64
—	12	A01JLDLV	A02JLDLV

Alarm Switch Combinations

Maximum Voltage		1 Alarm Switch	1 Alarm Switch and 1 Auxiliary Switch	1 Alarm Switch and 2 Auxiliary Switches
AC	DC	Catalog Number	Catalog Number	Catalog Number
480	250	B01JLD64	A01JLD64B	A02JLD64B

Undervoltage Trip Combinations

Control Voltage		1 Undervoltage Trip	1 Undervoltage Trip and 1 Auxiliary Switch	1 Undervoltage Trip and 2 Auxiliary Switches
AC	DC	Catalog Number	Catalog Number	Catalog Number
120	—	U01JLD6	U01JLD62A	U01JLD62AA
208	—	U02JLD6	U02JLD62A	U02JLD62AA
240	—	U03JLD6	U03JLD62A	U03JLD62AA
480	—	U06JLD6	U06JLD64A	U06JLD64AA
—	24	U13JLD6	U13JLD62A	U13JLD62AA
—	48	U14JLD6	U14JLD62A	U14JLD62AA
—	125	U10JLD6	U10JLD62A	U10JLD62AA
—	250	U12JLD6	U12JLD62A	U12JLD62AA

Enclosure

Fig. No.	Breaker Frame	Number of Poles	Maximum Current Rating	Catalog Number	Weight Lb./Ship. Package
3	LD6, LXD6, HLD6, HLXD6, HHLD6, HHLXD6, CLD6	2-3	600	LD6N1	101

Breaker Frame	Dimensions (inches)					
	A	B	C	D	E	F
LD6, LXD6, HLD6, HLXD6, HHLD6, HHLXD6, CLD6	46	22 ²⁷ / ₆₄	10 ⁴⁵ / ₆₄	42	18 ¹ / ₄	2 ⁵ / ₆₄

Siemens Industry, Inc.
5400 Triangle Parkway
Norcross, GA 30092

1-800-241-4453
info.us@siemens.com

Order No. CBDS-LDN01-1116 | Printed in USA |
© 2016, Siemens Industry, Inc.

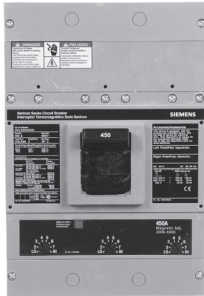
usa.siemens.com/circuitbreakers

Subject to changes and errors. The information given in this document only contains general descriptions and/or performance features which may not always specifically reflect those described, or which may undergo modification in the course of further development of the products. The requested performance features are binding only when they are expressly agreed upon in the concluded contract.

LD-Frame Sentron™ Series Circuit Breakers

NEMA Type 3R; 2 & 3-Pole; 250-600 Amperes

Molded Case Circuit Breakers



Ratings & Markings (UL 489 AIR Interrupting Ratings)

Breaker Type	RMS Symmetrical Amperes (kA)						Frame Only - Interchangeable trip		
	Volts AC (50/60Hz)			Volts DC		Breaker Type	Frame (2-Pole)	Frame (3-Pole)	
	240	480	600	250	500				
LD6-A, LXD6-A	65	35	25	30 (2-P)	25 (3-P)	LD6	LD62F600	LD63F600	
HLD6-A, HLXD6-A	100	65	35	30 (2-P)	35 (3-P)	HLD6	HLD62F600	HLD63F600	
HHL6, HHLXD6	200	100	50	—	—	HHL6	HHL62F600	HHL63F600	
CLD6-A	200	150	100	—	50 (3-P)	—	—	—	

Dimensions

Breaker Type	Width	Length	Depth	D-1 (to handle)
LXD6-A, LD6-A, HLD6-A, HHL6, HHLXD6, LXD6-ETI	7.50 in.	11 in.	4.0 in.	5.44 in.
CLD6, CLD6-ETI	7.50 in.	17.86 in.	4.0 in.	5.44 in.

Frames

Trip Amperage	Poles	Breaker-Type Non-interchangeable Trip		Breaker-Type Interchangeable Trip					Trip Unit only
		LXD6-A	CLD6-A	LD6-A	HLD6-A	HLXD6	HHL6	HHLXD6	
250	2	—	—	LD62B250	HLD62B250	—	HHL62B250	—	JD62T250
300	2	—	—	LD62B300	HLD62B300	—	HHL62B300	—	JD62T300
350	2	—	—	LD62B350	HLD62B350	—	HHL62B350	—	JD62T350
400	2	—	—	LD62B400	HLD62B400	—	HHL62B400	—	JD62T400
450	2	LXD62B450	—	LD62B450	HLD62B450	—	HHL62B450	—	LD62T450
500	2	LXD62B500	—	LD62B500	HLD62B500	—	HHL62B500	—	LD62T500
600	2	LXD62B600	—	LD62B600	HLD62B600	—	HHL62B600	—	LD62T600
250	3	—	—	LD63B250	HLD63B250	HLXD63B250	HHL63B250	HHLXD63B250	JD63T250
300	3	—	—	LD63B300	HLD63B300	HLXD63B300	HHL63B300	HHLXD63B300	JD63T300
350	3	—	—	LD63B350	HLD63B350	HLXD63B350	HHL63B350	HHLXD63B350	JD63T350
400	3	—	—	LD63B400	HLD63B400	HLXD63B400	HHL63B400	HHLXD63B400	JD63T400
450	3	LXD63B450	CLD63B450	LD63B450	HLD63B450	HLXD63B450	HHL63B450	HHLXD63B450	LD63T450
500	3	LXD63B500	CLD63B500	LD63B500	HLD63B500	HLXD63B500	HHL63B500	HHLXD63B500	LD63T500
600	3	LXD63B600	CLD63B600	LD63B600	HLD63B600	HLXD63B600	HHL63B600	HHLXD63B600	LD63T600

Frames - Magnetic Trip Only - ETI Motor Circuit Protector

Ampere Rating	Poles	Minimum	Maximum	LXD6	CLD6
600	2	2000	4000	LXD62L600	CLD62L600
600	2	3000	6000	—	CLD62H600
600	3	3000	6000	LXD63L600	CLD63L600
600	3	2000	4000	LXD63H600	CLD63H600

Frames - Molded Case Switch - Circuit Disconnect

Ampere Rating	Poles	JXD2	HJXD6	CJD6
600	3	LXD63S600A	HLXD63S600A	CLD63S600A

Lugs For 75°C Wire

Catalog Number	Cables Per Lug	Wire Range
TA2J6500	1, 2	#3/0-500 kcmil Cu
	2	#4/0-500 kcmil Al
TC2J6500	2	#3/0-500 kcmil Cu
TA1L6750	1	500-750 kcmil Al
	1	500-600 kcmil Cu
TC1J6600	1	#3/0-600 kcmil Cu
Compression Lug		
CCL600	1	500 kcmil Cu/Al

Shunt Trip Combinations

Control Voltage		1 Shunt Trip	1 Shunt Trip and 1 Auxiliary Switch
AC	DC	Catalog Number	Catalog Number
24	—	S17JLD6	—
48	—	S18JLD6	—
120	—	S01JLD6	S01JLD62A
240	—	S03JLD6	S03JLD62A
277	—	S15JLD6	S15JLD64A
480	—	S04JLD6	—
—	12	S16JLD6	S16JLD62A
—	24	S07JLD6	S07JLD62A
—	48	S09JLD6	S09JLD62A
—	125	S11JLD6	S11JLD62A
—	250	S13JLD6	S13JLD62A

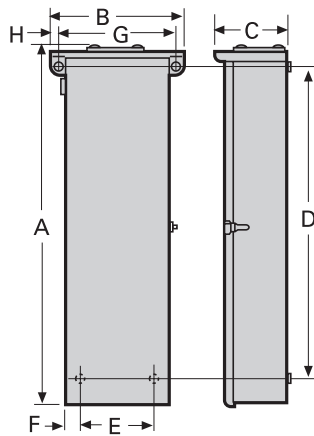


Figure 1

Auxiliary Switch Combinations

Maximum Voltage		1 Form C	2 Form C
AC	DC	Catalog Number	Catalog Number
480	250	A01JLD64	A02JLD64
—	12	A01JLDLV	A02JLDLV

Alarm Switch Combinations

Maximum Voltage		1 Alarm Switch	1 Alarm Switch and 1 Auxiliary Switch	1 Alarm Switch and 2 Auxiliary Switches
AC	DC	Catalog Number	Catalog Number	Catalog Number
480	250	B01JLD64	A01JLD64B	A02JLD64B

Undervoltage Trip Combinations

Control Voltage		1 Undervoltage Trip	1 Undervoltage Trip and 1 Auxiliary Switch	1 Undervoltage Trip and 2 Auxiliary Switches
AC	DC	Catalog Number	Catalog Number	Catalog Number
120	—	U01JLD6	U01JLD62A	U01JLD62AA
208	—	U02JLD6	U02JLD62A	U02JLD62AA
240	—	U03JLD6	U03JLD62A	U03JLD62AA
480	—	U06JLD6	U06JLD64A	U06JLD64AA
—	24	U13JLD6	U13JLD62A	U13JLD62AA
—	48	U14JLD6	U14JLD62A	U14JLD62AA
—	125	U10JLD6	U10JLD62A	U10JLD62AA
—	250	U12JLD6	U12JLD62A	U12JLD62AA

Enclosure

Fig. No.	Breaker Frame	Number of Poles	Maximum Current Rating	Catalog Number	Weight Lb./Ship. Package
1	LD6, LXD6, LXD6H, HLD6, HLXD6, HHL6, HHLXD6, CLD6	2-3	600	LD6N3R	137

Breaker Frame	Dimensions (inches)							
	A	B	C	D	E	F	G	H
LD6, LXD6, LXD6H, HLD6, HLXD6, HHL6, HHLXD6, CLD6	45 ⁶³ / ₆₄	26 ³ / ₄	11 ²³ / ₃₂	40 ³ / ₄	18 ¹ / ₄	2 ¹ / ₈	24 ¹ / ₂	1 ¹ / ₈

Siemens Industry, Inc.
5400 Triangle Parkway
Norcross, GA 30092

1-800-241-4453
info.us@siemens.com

Order No. CBDS-LDN3R-1116 | Printed in USA |
© 2016, Siemens Industry, Inc.

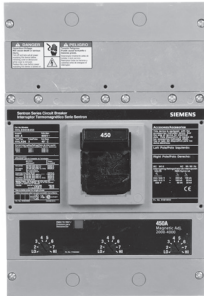
usa.siemens.com/circuitbreakers

Subject to changes and errors. The information given in this document only contains general descriptions and/or performance features which may not always specifically reflect those described, or which may undergo modification in the course of further development of the products. The requested performance features are binding only when they are expressly agreed upon in the concluded contract.

LD-Frame Sentron™ Series Circuit Breakers

NEMA Type 12; 2 & 3-Pole; 250-600 Amperes

Molded Case Circuit Breakers



Ratings & Markings (UL 489 AIR Interrupting Ratings)

Breaker Type	RMS Symmetrical Amperes (kA)						Frame Only - Interchangeable trip		
	Volts AC (50/60Hz)			Volts DC		Breaker Type	Frame (2-Pole)	Frame (3-Pole)	
	240	480	600	250	500				
LD6-A, LXD6-A	65	35	25	30 (2-P)	25 (3-P)	LD6	LD62F600	LD63F600	
HLD6-A, HLXD6-A	100	65	35	30 (2-P)	35 (3-P)	HLD6	HLD62F600	HLD63F600	
HHL6, HHLXD6	200	100	50	—	—	HHL6	HHL62F600	HHL63F600	
CLD6-A	200	150	100	—	50 (3-P)	—	—	—	

Dimensions

Breaker Type	Width	Length	Depth	D-1 (to handle)
LXD6-A, LD6-A, HLD6-A, HHL6, HHLXD6, LXD6-ETI	7.50 in.	11 in.	4.0 in.	5.44 in.
CLD6, CLD6-ETI	7.50 in.	17.86 in.	4.0 in.	5.44 in.

Frames

Trip Amperage	Poles	Breaker-Type Non-interchangeable Trip		Breaker-Type Interchangeable Trip					Trip Unit only
		LXD6-A	CLD6-A	LD6-A	HLD6-A	HLXD6	HHL6	HHLXD6	
250	2	—	—	LD62B250	HLD62B250	—	HHL62B250	—	JD62T250
300	2	—	—	LD62B300	HLD62B300	—	HHL62B300	—	JD62T300
350	2	—	—	LD62B350	HLD62B350	—	HHL62B350	—	JD62T350
400	2	—	—	LD62B400	HLD62B400	—	HHL62B400	—	JD62T400
450	2	LXD62B450	—	LD62B450	HLD62B450	—	HHL62B450	—	LD62T450
500	2	LXD62B500	—	LD62B500	HLD62B500	—	HHL62B500	—	LD62T500
600	2	LXD62B600	—	LD62B600	HLD62B600	—	HHL62B600	—	LD62T600
250	3	—	—	LD63B250	HLD63B250	HLXD63B250	HHL63B250	HHLXD63B250	JD63T250
300	3	—	—	LD63B300	HLD63B300	HLXD63B300	HHL63B300	HHLXD63B300	JD63T300
350	3	—	—	LD63B350	HLD63B350	HLXD63B350	HHL63B350	HHLXD63B350	JD63T350
400	3	—	—	LD63B400	HLD63B400	HLXD63B400	HHL63B400	HHLXD63B400	JD63T400
450	3	LXD63B450	CLD63B450	LD63B450	HLD63B450	HLXD63B450	HHL63B450	HHLXD63B450	LD63T450
500	3	LXD63B500	CLD63B500	LD63B500	HLD63B500	HLXD63B500	HHL63B500	HHLXD63B500	LD63T500
600	3	LXD63B600	CLD63B600	LD63B600	HLD63B600	HLXD63B600	HHL63B600	HHLXD63B600	LD63T600

Frames - Magnetic Trip Only - ETI Motor Circuit Protector

Ampere Rating	Poles	Minimum	Maximum	LXD6	CLD6
600	2	2000	4000	LXD62L600	CLD62L600
600	2	3000	6000	—	CLD62H600
600	3	3000	6000	LXD63L600	CLD63L600
600	3	2000	4000	LXD63H600	CLD63H600

Frames - Molded Case Switch - Circuit Disconnect

Ampere Rating	Poles	JXD2	HJXD6	CJD6
600	3	LXD63S600A	HLXD63S600A	CLD63S600A

Lugs For 75°C Wire

Catalog Number	Cables Per Lug	Wire Range
TA2J6500	1, 2	#3/0-500 kcmil Cu
	2	#4/0-500 kcmil Al
TC2J6500	2	#3/0-500 kcmil Cu
TA1L6750	1	500-750 kcmil Al
	1	500-600 kcmil Cu
TC1J6600	1	#3/0-600 kcmil Cu
Compression Lug		
CCL600	1	500 kcmil Cu/Al

Shunt Trip Combinations

Control Voltage		1 Shunt Trip	1 Shunt Trip and 1 Auxiliary Switch
AC	DC	Catalog Number	Catalog Number
24	—	S17JLD6	—
48	—	S18JLD6	—
120	—	S01JLD6	S01JLD62A
240	—	S03JLD6	S03JLD62A
277	—	S15JLD6	S15JLD64A
480	—	S04JLD6	—
—	12	S16JLD6	S16JLD62A
—	24	S07JLD6	S07JLD62A
—	48	S09JLD6	S09JLD62A
—	125	S11JLD6	S11JLD62A
—	250	S13JLD6	S13JLD62A

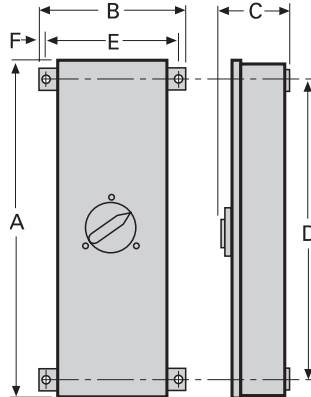


Figure 3

Auxiliary Switch Combinations

Maximum Voltage		1 Form C	2 Form C
AC	DC	Catalog Number	Catalog Number
480	250	A01JLD64	A02JLD64
—	12	A01JLDLV	A02JLDLV

Alarm Switch Combinations

Maximum Voltage		1 Alarm Switch	1 Alarm Switch and 1 Auxiliary Switch	1 Alarm Switch and 2 Auxiliary Switches
AC	DC	Catalog Number	Catalog Number	Catalog Number
480	250	B01JLD64	A01JLD64B	A02JLD64B

Undervoltage Trip Combinations

Control Voltage		1 Undervoltage Trip	1 Undervoltage Trip and 1 Auxiliary Switch	1 Undervoltage Trip and 2 Auxiliary Switches
AC	DC	Catalog Number	Catalog Number	Catalog Number
120	—	U01JLD6	U01JLD62A	U01JLD62AA
208	—	U02JLD6	U02JLD62A	U02JLD62AA
240	—	U03JLD6	U03JLD62A	U03JLD62AA
480	—	U06JLD6	U06JLD64A	U06JLD64AA
—	24	U13JLD6	U13JLD62A	U13JLD62AA
—	48	U14JLD6	U14JLD62A	U14JLD62AA
—	125	U10JLD6	U10JLD62A	U10JLD62AA
—	250	U12JLD6	U12JLD62A	U12JLD62AA

Enclosure

Fig. No.	Breaker Frame	Number of Poles	Maximum Current Rating	Catalog Number	Weight Lb./Ship. Package
3	LD6, LXD6, HLD6, HLXD6, HHLXD6, HHLXD6, CLD6	2-3	600	LD6N12	104

Breaker Frame	Dimensions (inches)					
	A	B	C	D	E	F
LD6, LXD6, HLD6, HLXD6, HHLXD6, HHLXD6, CLD6	46 1/2	21 5/8	11 7/8	42 5/32	20 3/8	5/8

Siemens Industry, Inc.
5400 Triangle Parkway
Norcross, GA 30092

1-800-241-4453
info.us@siemens.com

Order No. CBDS-LDN12-1116 | Printed in USA |
© 2016, Siemens Industry, Inc.

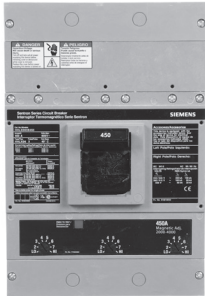
usa.siemens.com/circuitbreakers

Subject to changes and errors. The information given in this document only contains general descriptions and/or performance features which may not always specifically reflect those described, or which may undergo modification in the course of further development of the products. The requested performance features are binding only when they are expressly agreed upon in the concluded contract.

LD-Frame Sentron™ Series Circuit Breakers

NEMA Type 4X; 2 & 3-Pole; 250-600 Amperes

Molded Case Circuit Breakers



Ratings & Markings (UL 489 AIR Interrupting Ratings)

Breaker Type	RMS Symmetrical Amperes (kA)						Frame Only - Interchangeable trip		
	Volts AC (50/60Hz)			Volts DC		Breaker Type	Frame (2-Pole)	Frame (3-Pole)	
	240	480	600	250	500				
LD6-A, LXD6-A	65	35	25	30 (2-P)	25 (3-P)	LD6	LD62F600	LD63F600	
HLD6-A, HLXD6-A	100	65	35	30 (2-P)	35 (3-P)	HLD6	HLD62F600	HLD63F600	
HHL6, HHLXD6	200	100	50	—	—	HHL6	HHL62F600	HHL63F600	
CLD6-A	200	150	100	—	50 (3-P)	—	—	—	

Dimensions

Breaker Type	Width	Length	Depth	D-1 (to handle)
LXD6-A, LD6-A, HLD6-A, HHL6, HHLXD6, LXD6-ETI	7.50 in.	11 in.	4.0 in.	5.44 in.
CLD6, CLD6-ETI	7.50 in.	17.86 in.	4.0 in.	5.44 in.

Frames

Trip Amperage	Poles	Breaker-Type Non-interchangeable Trip		Breaker-Type Interchangeable Trip					Trip Unit only
		LXD6-A	CLD6-A	LD6-A	HLD6-A	HLXD6	HHL6	HHLXD6	
250	2	—	—	LD62B250	HLD62B250	—	HHL62B250	—	JD62T250
300	2	—	—	LD62B300	HLD62B300	—	HHL62B300	—	JD62T300
350	2	—	—	LD62B350	HLD62B350	—	HHL62B350	—	JD62T350
400	2	—	—	LD62B400	HLD62B400	—	HHL62B400	—	JD62T400
450	2	LXD62B450	—	LD62B450	HLD62B450	—	HHL62B450	—	LD62T450
500	2	LXD62B500	—	LD62B500	HLD62B500	—	HHL62B500	—	LD62T500
600	2	LXD62B600	—	LD62B600	HLD62B600	—	HHL62B600	—	LD62T600
250	3	—	—	LD63B250	HLD63B250	HLXD63B250	HHL63B250	HHLXD63B250	JD63T250
300	3	—	—	LD63B300	HLD63B300	HLXD63B300	HHL63B300	HHLXD63B300	JD63T300
350	3	—	—	LD63B350	HLD63B350	HLXD63B350	HHL63B350	HHLXD63B350	JD63T350
400	3	—	—	LD63B400	HLD63B400	HLXD63B400	HHL63B400	HHLXD63B400	JD63T400
450	3	LXD63B450	CLD63B450	LD63B450	HLD63B450	HLXD63B450	HHL63B450	HHLXD63B450	LD63T450
500	3	LXD63B500	CLD63B500	LD63B500	HLD63B500	HLXD63B500	HHL63B500	HHLXD63B500	LD63T500
600	3	LXD63B600	CLD63B600	LD63B600	HLD63B600	HLXD63B600	HHL63B600	HHLXD63B600	LD63T600

Frames - Magnetic Trip Only - ETI Motor Circuit Protector

Ampere Rating	Poles	Minimum	Maximum	LXD6	CLD6
600	2	2000	4000	LXD62L600	CLD62L600
600	2	3000	6000	—	CLD62H600
600	3	3000	6000	LXD63L600	CLD63L600
600	3	2000	4000	LXD63H600	CLD63H600

Frames - Molded Case Switch - Circuit Disconnect

Ampere Rating	Poles	JXD2	HJXD6	CJD6
600	3	LXD63S600A	HLXD63S600A	CLD63S600A

Lugs For 75°C Wire

Catalog Number	Cables Per Lug	Wire Range
TA2J6500	1, 2	#3/0-500 kcmil Cu
	2	#4/0-500 kcmil Al
TC2J6500	2	#3/0-500 kcmil Cu
TA1L6750	1	500-750 kcmil Al
	1	500-600 kcmil Cu
TC1J6600	1	#3/0-600 kcmil Cu
Compression Lug		
CCL600	1	500 kcmil Cu/Al

Shunt Trip Combinations

Control Voltage		1 Shunt Trip	1 Shunt Trip and 1 Auxiliary Switch
AC	DC	Catalog Number	Catalog Number
24	—	S17JLD6	—
48	—	S18JLD6	—
120	—	S01JLD6	S01JLD62A
240	—	S03JLD6	S03JLD62A
277	—	S15JLD6	S15JLD64A
480	—	S04JLD6	—
—	12	S16JLD6	S16JLD62A
—	24	S07JLD6	S07JLD62A
—	48	S09JLD6	S09JLD62A
—	125	S11JLD6	S11JLD62A
—	250	S13JLD6	S13JLD62A

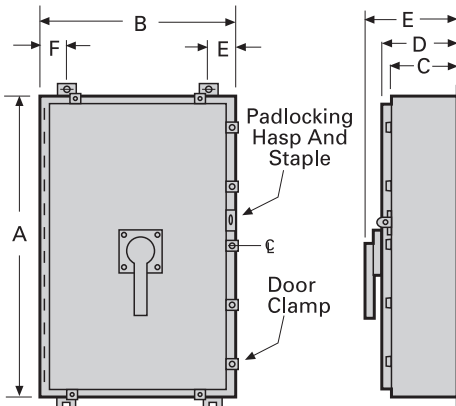


Figure 1A

Auxiliary Switch Combinations

Maximum Voltage		1 Form C	2 Form C
AC	DC	Catalog Number	Catalog Number
480	250	A01JLD64	A02JLD64
—	12	A01JLDLV	A02JLDLV

Alarm Switch Combinations

Maximum Voltage		1 Alarm Switch	1 Alarm Switch and 1 Auxiliary Switch	1 Alarm Switch and 2 Auxiliary Switches
AC	DC	Catalog Number	Catalog Number	Catalog Number
480	250	B01JLD64	A01JLD64B	A02JLD64B

Undervoltage Trip Combinations

Control Voltage		1 Undervoltage Trip	1 Undervoltage Trip and 1 Auxiliary Switch	1 Undervoltage Trip and 2 Auxiliary Switches
AC	DC	Catalog Number	Catalog Number	Catalog Number
120	—	U01JLD6	U01JLD62A	U01JLD62AA
208	—	U02JLD6	U02JLD62A	U02JLD62AA
240	—	U03JLD6	U03JLD62A	U03JLD62AA
480	—	U06JLD6	U06JLD64A	U06JLD64AA
—	24	U13JLD6	U13JLD62A	U13JLD62AA
—	48	U14JLD6	U14JLD62A	U14JLD62AA
—	125	U10JLD6	U10JLD62A	U10JLD62AA
—	250	U12JLD6	U12JLD62A	U12JLD62AA

Enclosure

Fig. No.	Breaker Frame	Number of Poles	Maximum Current Rating	Catalog Number	Weight Lb./Ship. Package
1A	LXD6, LD6, HLD6, HLXD6, HHLXD6, HHLXD6	2-3	600	LD6SS4	145

Breaker Frame	Dimensions (inches)					
	A	B	C	D	E	F
LXD6, LD6, HLD6, HLXD6, HHLXD6, HHLXD6	42	30	10	11 5/32	13 3/4	3

Siemens Industry, Inc.
5400 Triangle Parkway
Norcross, GA 30092

1-800-241-4453
info.us@siemens.com

Order No. CBDS-LD44X-1116 | Printed in USA |
© 2016, Siemens Industry, Inc.

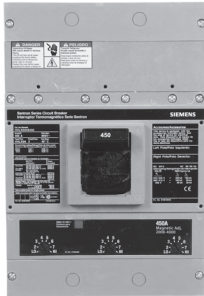
usa.siemens.com/circuitbreakers

Subject to changes and errors. The information given in this document only contains general descriptions and/or performance features which may not always specifically reflect those described, or which may undergo modification in the course of further development of the products. The requested performance features are binding only when they are expressly agreed upon in the concluded contract.

LD-Frame Sentron™ Series Circuit Breakers

NEMA Types 7 & 9; 2 & 3-Pole; 250-600 Amperes

Molded Case Circuit Breakers



Ratings & Markings (UL 489 AIR Interrupting Ratings)

Breaker Type	RMS Symmetrical Amperes (kA)					Frame Only - Interchangeable trip		
	Volts AC (50/60Hz)			Volts DC		Breaker Type	Frame (2-Pole)	Frame (3-Pole)
	240	480	600	250	500			
LD6-A, LXD6-A	65	35	25	30 (2-P)	25 (3-P)	LD6	LD62F600	LD63F600
HLD6-A, HLXD6-A	100	65	35	30 (2-P)	35 (3-P)	HLD6	HLD62F600	HLD63F600
HHL6, HHLXD6	200	100	50	—	—	HHL6	HHL62F600	HHL63F600
CLD6-A	200	150	100	—	50 (3-P)	—	—	—

Dimensions

Breaker Type	Width	Length	Depth	D-1 (to handle)
LXD6-A, LD6-A, HLD6-A, HHL6, HHLXD6, LXD6-ETI	7.50 in.	11 in.	4.0 in.	5.44 in.
CLD6, CLD6-ETI	7.50 in.	17.86 in.	4.0 in.	5.44 in.

Frames

Trip Amperage	Poles	Breaker-Type Non-interchangeable Trip		Breaker-Type Interchangeable Trip					Trip Unit only
		LXD6-A	CLD6-A	LD6-A	HLD6-A	HLXD6	HHL6	HHLXD6	
250	2	—	—	LD62B250	HLD62B250	—	HHL62B250	—	JD62T250
300	2	—	—	LD62B300	HLD62B300	—	HHL62B300	—	JD62T300
350	2	—	—	LD62B350	HLD62B350	—	HHL62B350	—	JD62T350
400	2	—	—	LD62B400	HLD62B400	—	HHL62B400	—	JD62T400
450	2	LXD62B450	—	LD62B450	HLD62B450	—	HHL62B450	—	LD62T450
500	2	LXD62B500	—	LD62B500	HLD62B500	—	HHL62B500	—	LD62T500
600	2	LXD62B600	—	LD62B600	HLD62B600	—	HHL62B600	—	LD62T600
250	3	—	—	LD63B250	HLD63B250	HLXD63B250	HHL63B250	HHLXD63B250	JD63T250
300	3	—	—	LD63B300	HLD63B300	HLXD63B300	HHL63B300	HHLXD63B300	JD63T300
350	3	—	—	LD63B350	HLD63B350	HLXD63B350	HHL63B350	HHLXD63B350	JD63T350
400	3	—	—	LD63B400	HLD63B400	HLXD63B400	HHL63B400	HHLXD63B400	JD63T400
450	3	LXD63B450	CLD63B450	LD63B450	HLD63B450	HLXD63B450	HHL63B450	HHLXD63B450	LD63T450
500	3	LXD63B500	CLD63B500	LD63B500	HLD63B500	HLXD63B500	HHL63B500	HHLXD63B500	LD63T500
600	3	LXD63B600	CLD63B600	LD63B600	HLD63B600	HLXD63B600	HHL63B600	HHLXD63B600	LD63T600

Frames - Magnetic Trip Only - ETI Motor Circuit Protector

Ampere Rating	Poles	Minimum	Maximum	LXD6	CLD6
600	2	2000	4000	LXD62L600	CLD62L600
600	2	3000	6000	—	CLD62H600
600	3	3000	6000	LXD63L600	CLD63L600
600	3	2000	4000	LXD63H600	CLD63H600

Frames - Molded Case Switch - Circuit Disconnect

Ampere Rating	Poles	JXD2	HJXD6	CJD6
600	3	LXD63S600A	HLXD63S600A	CLD63S600A

Lugs For 75°C Wire

Catalog Number	Cables Per Lug	Wire Range
TA2J6500	1, 2	#3/0-500 kcmil Cu
	2	#4/0-500 kcmil Al
TC2J6500	2	#3/0-500 kcmil Cu
TA1L6750	1	500-750 kcmil Al
	1	500-600 kcmil Cu
TC1J6600	1	#3/0-600 kcmil Cu
Compression Lug		
CCL600	1	500 kcmil Cu/Al

Shunt Trip Combinations

Control Voltage		1 Shunt Trip	1 Shunt Trip and 1 Auxiliary Switch
AC	DC	Catalog Number	Catalog Number
24	—	S17JLD6	—
48	—	S18JLD6	—
120	—	S01JLD6	S01JLD62A
240	—	S03JLD6	S03JLD62A
277	—	S15JLD6	S15JLD64A
480	—	S04JLD6	—
—	12	S16JLD6	S16JLD62A
—	24	S07JLD6	S07JLD62A
—	48	S09JLD6	S09JLD62A
—	125	S11JLD6	S11JLD62A
—	250	S13JLD6	S13JLD62A

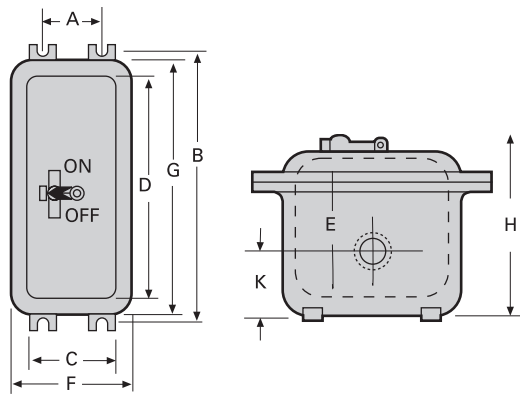


Figure 2

Auxiliary Switch Combinations

Maximum Voltage		1 Form C	2 Form C
AC	DC	Catalog Number	Catalog Number
480	250	A01JLD64	A02JLD64
—	12	A01JLDLV	A02JLDLV

Alarm Switch Combinations

Maximum Voltage		1 Alarm Switch	1 Alarm Switch and 1 Auxiliary Switch	1 Alarm Switch and 2 Auxiliary Switches
AC	DC	Catalog Number	Catalog Number	Catalog Number
480	250	B01JLD64	A01JLD64B	A02JLD64B

Undervoltage Trip Combinations

Control Voltage		1 Undervoltage Trip	1 Undervoltage Trip and 1 Auxiliary Switch	1 Undervoltage Trip and 2 Auxiliary Switches
AC	DC	Catalog Number	Catalog Number	Catalog Number
120	—	U01JLD6	U01JLD62A	U01JLD62AA
208	—	U02JLD6	U02JLD62A	U02JLD62AA
240	—	U03JLD6	U03JLD62A	U03JLD62AA
480	—	U06JLD6	U06JLD64A	U06JLD64AA
—	24	U13JLD6	U13JLD62A	U13JLD62AA
—	48	U14JLD6	U14JLD62A	U14JLD62AA
—	125	U10JLD6	U10JLD62A	U10JLD62AA
—	250	U12JLD6	U12JLD62A	U12JLD62AA

Enclosure

Fig. No.	Breaker Frame	Number of Poles	Maximum Current Rating	Catalog Number	Weight Lb./Ship. Package
2	LXD6, LD6, HLD6, HLXD6, HHLXD6, HHLXD6	2-3	600	ED6	190

Breaker Frame	Dimensions (inches)									Knockouts	
	Mounting		Inside			Outside				Conduit Size	
	A	B	C	D	E	F	G	H	K	Std.	Max
LXD6, LD6, HLD6, HLXD6, HHLXD6	11 7/8	40 3/4	13 3/8	37 7/8	7 7/8	18 1/8	42 5/8	9 7/8	3 5/8	4	4

Siemens Industry, Inc.
5400 Triangle Parkway
Norcross, GA 30092

1-800-241-4453
info.us@siemens.com

Order No. CBDS-LDN79-1116 | Printed in USA |
© 2016, Siemens Industry, Inc.

usa.siemens.com/circuitbreakers

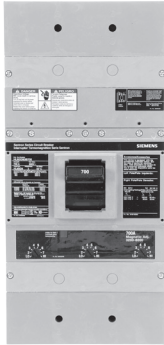
Subject to changes and errors. The information given in this document only contains general descriptions and/or performance features which may not always specifically reflect those described, or which may undergo modification in the course of further development of the products. The requested performance features are binding only when they are expressly agreed upon in the concluded contract.

Sentron Circuit Breaker Cut Sheets with Enclosure for LMD

LMD-Frame Sentron™ Series Circuit Breakers

NEMA Type 1; 2 & 3-Pole; 500-800 Amperes

Molded Case Circuit Breakers



Ratings & Markings (UL 489 AIR Interrupting Ratings)

Breaker Type	RMS Symmetrical Amperes (kA)						Frame Only - Interchangeable trip		
	Volts AC (50/60Hz)			Volts DC		Breaker Type	Frame (2-Pole)	Frame (3-Pole)	
	240	480	600	250	500				
LMD6, LMXD6	65	50	25	30 (2-P)	25 (3-P)	LMD6	LMD62F800	LMD63F800	
HLMXD6, HLMXD6	100	65	50	30 (2-P)	50 (3-P)	HLMXD6	HLMXD62F800	HLMXD63F800	

Dimensions

Breaker Type	Length	Width	Depth	D-1 (to handle)
LMD6, LMXD6, HLMXD6, HLMXD6, LMXD6-ETI	16 in.	7.5 in.	4.5 in.	5.93 in.

Frames

Trip Amperage	Poles	Breaker-Type Non-interchangeable Trip		Breaker-Type Interchangeable Trip		Trip Unit only
		LMXD6	HLMXD6	LMD6	HLMXD6	
500	2	—	—	LMD62B500	HLMXD62B500	LMD62T500
600	2	LMXD62B600	—	LMD62B600	HLMXD62B600	LMD62T600
700	2	LMXD62B700	—	LMD62B700	HLMXD62B700	LMD62T700
800	2	LMXD62B800	—	LMD62B800	HLMXD62B800	LMD62T800
500	3	LMXD63B500	HLMXD63B500	LMD63B500	HLMXD63B500	LMD63T500
600	3	LMXD63B600	HLMXD63B600	LMD63B600	HLMXD63B600	LMD63T600
700	3	LMXD63B700	HLMXD63B700	LMD63B700	HLMXD63B700	LMD63T700
800	3	LMXD63B800	HLMXD63B800	LMD63B800	HLMXD63B800	LMD63T800

Frames - Magnetic Trip Only - ETI Motor Circuit Protector

Ampere Rating	Poles	Minimum	Maximum	LMXD6
800	3	2800	6000	LMXD63L800
800	3	3200	8000	LMXD63A800

Frames - Molded Case Switch - Circuit Disconnect

Ampere Rating	Poles	LMXD6
800	3	LMXD63S800A

Lugs For 75°C Wire

Catalog Number	Cables Per Lug	Wire Range
TA2K500	1, 2	#1-500 kcmil Cu / Al
TA3K500	1-3	#1/0-500 kcmil Cu / Al
TA2N750	1, 2	500-750 kcmil Cu / Al

Shunt Trip Combinations

Control Voltage		1 Shunt Trip	1 Shunt Trip and 1 Auxiliary Switch
AC	DC	Catalog Number	Catalog Number
24	—	S17JLD6	—
48	—	S18JLD6	—
120	—	S01JLD6	S01JLD62A
240	—	S03JLD6	S03JLD62A
277	—	S15JLD6	S15JLD64A
480	—	S04JLD6	—
—	12	S16JLD6	S16JLD62A
—	24	S07JLD6	S07JLD62A
—	48	S09JLD6	S09JLD62A
—	125	S11JLD6	S11JLD62A
—	250	S13JLD6	S13JLD62A

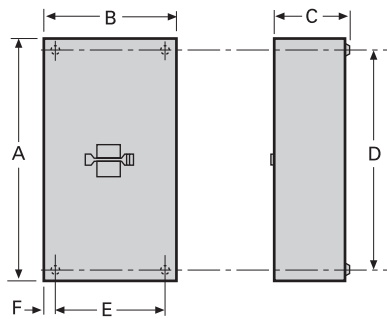


Figure 3

Auxiliary Switch Combinations

Maximum Voltage		1 Form C	2 Form C
AC	DC	Catalog Number	Catalog Number
480	250	A01JLD64	A02JLD64
—	12	A01JLDLV	A02JLDLV

Alarm Switch Combinations

Maximum Voltage		1 Alarm Switch	1 Alarm Switch and 1 Auxiliary Switch	1 Alarm Switch and 2 Auxiliary Switches
AC	DC	Catalog Number	Catalog Number	Catalog Number
480	250	B01JLD64	A01JLD64B	A02JLD64B

Undervoltage Trip Combinations

Control Voltage		1 Undervoltage Trip	1 Undervoltage Trip and 1 Auxiliary Switch	1 Undervoltage Trip and 2 Auxiliary Switches
AC	DC	Catalog Number	Catalog Number	Catalog Number
120	—	U01JLD6	U01JLD62A	U01JLD62AA
208	—	U02JLD6	U02JLD62A	U02JLD62AA
240	—	U03JLD6	U03JLD62A	U03JLD62AA
480	—	U06JLD6	U06JLD64A	U06JLD64AA
—	24	U13JLD6	U13JLD62A	U13JLD62AA
—	48	U14JLD6	U14JLD62A	U14JLD62AA
—	125	U10JLD6	U10JLD62A	U10JLD62AA
—	250	U12JLD6	U12JLD62A	U12JLD62AA

Enclosure

Fig. No.	Breaker Frame	Number of Poles	Maximum Current Rating	Catalog Number	Weight Lb./Ship. Package
3	LMXD6, LMD6, HLMXD6, HLMD6	2-3	800	LMD1	202

Breaker Frame	Dimensions (inches)					
	A	B	C	D	E	F
LMXD6, LMD6, HLMXD6, HLMD6	60	22 ²⁷ / ₆₄	10	55 ⁷ / ₈	18 ¹ / ₄	2 ⁵ / ₁₆

Siemens Industry, Inc.
5400 Triangle Parkway
Norcross, GA 30092

1-800-241-4453
info.us@siemens.com

Order No. CBDS-LMDN1-1116 | Printed in USA |
© 2016, Siemens Industry, Inc.

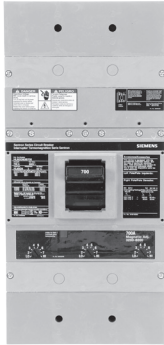
usa.siemens.com/circuitbreakers

Subject to changes and errors. The information given in this document only contains general descriptions and/or performance features which may not always specifically reflect those described, or which may undergo modification in the course of further development of the products. The requested performance features are binding only when they are expressly agreed upon in the concluded contract.

LMD-Frame Sentron™ Series Circuit Breakers

NEMA Type 3R; 2 & 3-Pole; 500-800 Amperes

Molded Case Circuit Breakers



Ratings & Markings (UL 489 AIR Interrupting Ratings)

Breaker Type	RMS Symmetrical Amperes (kA)						Frame Only - Interchangeable trip		
	Volts AC (50/60Hz)			Volts DC		Breaker Type	Frame (2-Pole)	Frame (3-Pole)	
	240	480	600	250	500				
LMD6, LMXD6	65	50	25	30 (2-P)	25 (3-P)	LMD6	LMD62F800	LMD63F800	
HLMXD6, HLMXD6	100	65	50	30 (2-P)	50 (3-P)	HLMXD6	HLMXD62F800	HLMXD63F800	

Dimensions

Breaker Type	Length	Width	Depth	D-1 (to handle)
LMD6, LMXD6, HLMXD6, HLMXD6, LMXD6-ETI	16 in.	7.5 in.	4.5 in.	5.93 in.

Frames

Trip Amperage	Poles	Breaker-Type Non-interchangeable Trip		Breaker-Type Interchangeable Trip		Trip Unit only
		LMXD6	HLMXD6	LMD6	HLMXD6	
500	2	—	—	LMD62B500	HLMXD62B500	LMD62T500
600	2	LMXD62B600	—	LMD62B600	HLMXD62B600	LMD62T600
700	2	LMXD62B700	—	LMD62B700	HLMXD62B700	LMD62T700
800	2	LMXD62B800	—	LMD62B800	HLMXD62B800	LMD62T800
500	3	LMXD63B500	HLMXD63B500	LMD63B500	HLMXD63B500	LMD63T500
600	3	LMXD63B600	HLMXD63B600	LMD63B600	HLMXD63B600	LMD63T600
700	3	LMXD63B700	HLMXD63B700	LMD63B700	HLMXD63B700	LMD63T700
800	3	LMXD63B800	HLMXD63B800	LMD63B800	HLMXD63B800	LMD63T800

Frames - Magnetic Trip Only - ETI Motor Circuit Protector

Ampere Rating	Poles	Minimum	Maximum	LMXD6
800	3	2800	6000	LMXD63L800
800	3	3200	8000	LMXD63A800

Frames - Molded Case Switch - Circuit Disconnect

Ampere Rating	Poles	LMXD6
800	3	LMXD63S800A

Lugs For 75°C Wire

Catalog Number	Cables Per Lug	Wire Range
TA2K500	1, 2	#1-500 kcmil Cu / Al
TA3K500	1-3	#1/0-500 kcmil Cu / Al
TA2N750	1, 2	500-750 kcmil Cu / Al

Shunt Trip Combinations

Control Voltage		1 Shunt Trip	1 Shunt Trip and 1 Auxiliary Switch
AC	DC	Catalog Number	Catalog Number
24	—	S17JLD6	—
48	—	S18JLD6	—
120	—	S01JLD6	S01JLD62A
240	—	S03JLD6	S03JLD62A
277	—	S15JLD6	S15JLD64A
480	—	S04JLD6	—
—	12	S16JLD6	S16JLD62A
—	24	S07JLD6	S07JLD62A
—	48	S09JLD6	S09JLD62A
—	125	S11JLD6	S11JLD62A
—	250	S13JLD6	S13JLD62A

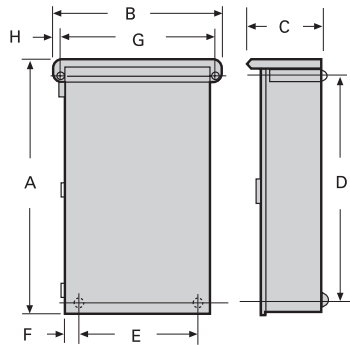


Figure 4

Auxiliary Switch Combinations

Maximum Voltage		1 Form C	2 Form C
AC	DC	Catalog Number	Catalog Number
480	250	A01JLD64	A02JLD64
—	12	A01JLDLV	A02JLDLV

Alarm Switch Combinations

Maximum Voltage		1 Alarm Switch	1 Alarm Switch and 1 Auxiliary Switch	1 Alarm Switch and 2 Auxiliary Switches
AC	DC	Catalog Number	Catalog Number	Catalog Number
480	250	B01JLD64	A01JLD64B	A02JLD64B

Undervoltage Trip Combinations

Control Voltage		1 Undervoltage Trip	1 Undervoltage Trip and 1 Auxiliary Switch	1 Undervoltage Trip and 2 Auxiliary Switches
AC	DC	Catalog Number	Catalog Number	Catalog Number
120	—	U01JLD6	U01JLD62A	U01JLD62AA
208	—	U02JLD6	U02JLD62A	U02JLD62AA
240	—	U03JLD6	U03JLD62A	U03JLD62AA
480	—	U06JLD6	U06JLD64A	U06JLD64AA
—	24	U13JLD6	U13JLD62A	U13JLD62AA
—	48	U14JLD6	U14JLD62A	U14JLD62AA
—	125	U10JLD6	U10JLD62A	U10JLD62AA
—	250	U12JLD6	U12JLD62A	U12JLD62AA

Enclosure

Fig. No.	Breaker Frame	Number of Poles	Maximum Current Rating	Catalog Number	Weight Lb./Ship. Package
4	LMXD6, LMD6, HLMXD6, HLMD6	2-3	800	LMD3R	210

Breaker Frame	Dimensions (inches)							
	A	B	C	D	E	F	G	H
LMXD6, LMD6, HLMXD6, HLMD6	61 ⁹ / ₆₄	26 ³ / ₄	11 ²³ / ₃₂	57 ¹⁷ / ₃₂	18 ¹ / ₄	2 ¹ / ₈	24 ³ / ₈	1 ¹ / ₁₆

Siemens Industry, Inc.
5400 Triangle Parkway
Norcross, GA 30092

1-800-241-4453
info.us@siemens.com

Order No. CBDS-LMD3R-1116 | Printed in USA |
© 2016, Siemens Industry, Inc.

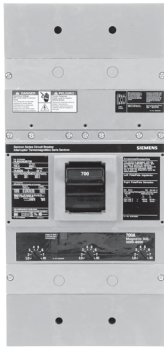
usa.siemens.com/circuitbreakers

Subject to changes and errors. The information given in this document only contains general descriptions and/or performance features which may not always specifically reflect those described, or which may undergo modification in the course of further development of the products. The requested performance features are binding only when they are expressly agreed upon in the concluded contract.

LMD-Frame Sentron™ Series Circuit Breakers

NEMA Type 12; 2 & 3-Pole; 500-800 Amperes

Molded Case Circuit Breakers



Ratings & Markings (UL 489 AIR Interrupting Ratings)

Breaker Type	RMS Symmetrical Amperes (kA)						Frame Only - Interchangeable trip		
	Volts AC (50/60Hz)			Volts DC		Breaker Type	Frame (2-Pole)	Frame (3-Pole)	
	240	480	600	250	500				
LMD6, LMXD6	65	50	25	30 (2-P)	25 (3-P)	LMD6	LMD62F800	LMD63F800	
HLM6, HLMXD6	100	65	50	30 (2-P)	50 (3-P)	HLM6	HLM62F800	HLM63F800	

Dimensions

Breaker Type	Length	Width	Depth	D-1 (to handle)
LMD6, LMXD6, HLM6, HLMXD6, LMXD6-ETI	16 in.	7.5 in.	4.5 in.	5.93 in.

Frames

Trip Amperage	Poles	Breaker-Type Non-interchangeable Trip		Breaker-Type Interchangeable Trip		Trip Unit only
		LMXD6	HLMXD6	LMD6	HLM6	
500	2	—	—	LMD62B500	HLM62B500	LMD62T500
600	2	LMXD62B600	—	LMD62B600	HLM62B600	LMD62T600
700	2	LMXD62B700	—	LMD62B700	HLM62B700	LMD62T700
800	2	LMXD62B800	—	LMD62B800	HLM62B800	LMD62T800
500	3	LMXD63B500	HLMXD63B500	LMD63B500	HLM63B500	LMD63T500
600	3	LMXD63B600	HLMXD63B600	LMD63B600	HLM63B600	LMD63T600
700	3	LMXD63B700	HLMXD63B700	LMD63B700	HLM63B700	LMD63T700
800	3	LMXD63B800	HLMXD63B800	LMD63B800	HLM63B800	LMD63T800

Frames - Magnetic Trip Only - ETI Motor Circuit Protector

Ampere Rating	Poles	Minimum	Maximum	LMXD6
800	3	2800	6000	LMXD63L800
800	3	3200	8000	LMXD63A800

Frames - Molded Case Switch - Circuit Disconnect

Ampere Rating	Poles	LMXD6
800	3	LMXD63S800A

Lugs For 75°C Wire

Catalog Number	Cables Per Lug	Wire Range
TA2K500	1, 2	#1-500 kcmil Cu / Al
TA3K500	1-3	#1/0-500 kcmil Cu / Al
TA2N750	1, 2	500-750 kcmil Cu / Al

Shunt Trip Combinations

Control Voltage		1 Shunt Trip	1 Shunt Trip and 1 Auxiliary Switch
AC	DC	Catalog Number	Catalog Number
24	—	S17JLD6	—
48	—	S18JLD6	—
120	—	S01JLD6	S01JLD62A
240	—	S03JLD6	S03JLD62A
277	—	S15JLD6	S15JLD64A
480	—	S04JLD6	—
—	12	S16JLD6	S16JLD62A
—	24	S07JLD6	S07JLD62A
—	48	S09JLD6	S09JLD62A
—	125	S11JLD6	S11JLD62A
—	250	S13JLD6	S13JLD62A

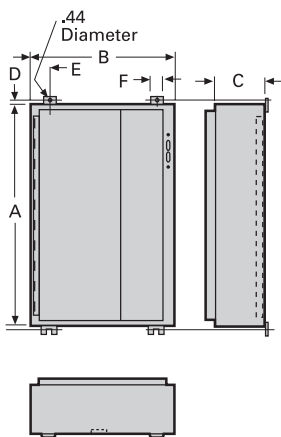


Figure 4

Auxiliary Switch Combinations

Maximum Voltage		1 Form C	2 Form C
AC	DC	Catalog Number	Catalog Number
480	250	A01JLD64	A02JLD64
—	12	A01JLDLV	A02JLDLV

Alarm Switch Combinations

Maximum Voltage		1 Alarm Switch	1 Alarm Switch and 1 Auxiliary Switch	1 Alarm Switch and 2 Auxiliary Switches
AC	DC	Catalog Number	Catalog Number	Catalog Number
480	250	B01JLD64	A01JLD64B	A02JLD64B

Undervoltage Trip Combinations

Control Voltage		1 Undervoltage Trip	1 Undervoltage Trip and 1 Auxiliary Switch	1 Undervoltage Trip and 2 Auxiliary Switches
AC	DC	Catalog Number	Catalog Number	Catalog Number
120	—	U01JLD6	U01JLD62A	U01JLD62AA
208	—	U02JLD6	U02JLD62A	U02JLD62AA
240	—	U03JLD6	U03JLD62A	U03JLD62AA
480	—	U06JLD6	U06JLD64A	U06JLD64AA
—	24	U13JLD6	U13JLD62A	U13JLD62AA
—	48	U14JLD6	U14JLD62A	U14JLD62AA
—	125	U10JLD6	U10JLD62A	U10JLD62AA
—	250	U12JLD6	U12JLD62A	U12JLD62AA

Enclosure

Fig. No.	Breaker Frame	Number of Poles	Maximum Current Rating	Catalog Number	Weight Lb./Ship. Package
4	LMXD6, LMD6, HLMXD6, HLMD6	2-3	800	LMD12	220

Breaker Frame	Dimensions (inches)					
	A	B	C	D	E	F
LMXD6, LMD6, HLMXD6, HLMD6	60	37 3/8	10	3/8	3	2

Siemens Industry, Inc.
5400 Triangle Parkway
Norcross, GA 30092

1-800-241-4453
info.us@siemens.com

Order No. CBDS-LMD12-1116 | Printed in USA |
© 2016, Siemens Industry, Inc.

usa.siemens.com/circuitbreakers

Subject to changes and errors. The information given in this document only contains general descriptions and/or performance features which may not always specifically reflect those described, or which may undergo modification in the course of further development of the products. The requested performance features are binding only when they are expressly agreed upon in the concluded contract.

Sentron Circuit Breaker Cut Sheets with Enclosure for MD

MD-Frame Sentron™ Series Circuit Breakers

NEMA Type 1; 2 & 3-Pole; 500-800 Amperes

Molded Case Circuit Breakers



Ratings & Markings (UL 489 AIR Interrupting Ratings)

Breaker Type	RMS Symmetrical Amperes (kA)							
	Volts AC (50/60Hz)			Volts DC		Frame Only - Interchangeable trip		
	240	480	600	250	500	Breaker Type	Frame (2-Pole)	Frame (3-Pole)
MD6, MXD6	65	50	25	30 (2-P)	25 (3-P)	MD6	MD62F800	MD63F800
HMD6, HMXD6	100	65	50	30 (2-P)	50 (3-P)	HMD6	HMD62F800	HMD63F800
CMD6	200	100	65	—	50 (3-P)	—	—	—

Dimensions

Breaker Type	Length	Width	Depth	D-1 (to handle)
MD6, MXD6, HMD6, HMXD6, CMD6, MXD6-ETI, CMD6-ETI	16 in.	9 in.	6 in.	8.25 in.
With lug shields	24 in.	9 in.	6 in.	8.25 in.

Frames

Trip Amperage	Poles	Breaker-Type Non-interchangeable Trip			Breaker-Type Interchangeable Trip		Trip Unit only
		MXD6	HMXD6	CMD6	MD6	HMD6	
500	2	—	—	—	MD62B500	HMD62B500	MD62T500
600	2	MXD62B600	—	—	MD62B600	HMD62B600	MD62T600
700	2	MXD62B700	—	—	MD62B700	HMD62B700	MD62T700
800	2	MXD62B800	—	—	MD62B800	HMD62B800	MD62T800
500	3	—	—	—	MD63B500	HMD63B500	MD63T500
600	3	MXD63B600	HMXD63B600	CMD63B600	MD63B600	HMD63B600	MD63T600
700	3	MXD63B700	HMXD63B700	CMD63B700	MD63B700	HMD63B700	MD63T700
800	3	MXD63B800	HMXD63B800	CMD63B800	MD63B800	HMD63B800	MD63T800

Frames - Magnetic Trip Only - ETI Motor Circuit Protector

Ampere Rating	Poles	Minimum	Maximum	MXD6	CMD6
800	3	3000	6000	MXD63L800	CMD63L800
800	3	4000	8000	MXD63A800	CMD63A800
800	3	5000	10000	MXD63H800	CMD63H800

Frames - Molded Case Switch - Circuit Disconnect

Ampere Rating	Poles	MXD6	CMD6
800	3	MXD63S800A	CMD63S800A

Lugs For 75°C Wire

Catalog Number	Cables Per Lug	Lugs Per Kit	Wire Range
TA2K500	1-2	1	#1-500 kcmil Cu/Al
TA3K500	1-3	1	1/0-500 kcmil Cu/Al
TC2K500	1-2	1	#1-500 kcmil Cu
TC3K350	1-3	1	#1-350 kcmil Cu
Kits			
2TA2N8750 3TA2N8750	1-2	2 3	500-750 kcmil Cu/Al
2TA3N8750 3TA3N8750	1-3	2 3	500-750 kcmil Cu/Al
2TA4N8500 3TA4N8500	1-4	2 3	250-500 kcmil Cu/Al
2TA4P8500 3TA4P8500	1-4	2 3	250-500 kcmil Cu/Al

Shunt Trip Combinations

Control Voltage		1 Shunt Trip	1 Shunt Trip and 1 Auxiliary Switch
AC	DC	Catalog Number	Catalog Number
120	—	S01MN6	S01MN64A
208	—	S02MN6	—
240	—	S03MN6	S03MN64A
277	—	S15MN6	S15MN64A
480	—	S04MN6	S04MN64A
600	—	S06MN6	—
—	12	S16MN6	S16MN64A
—	24	S07MN6	S07MN64A
—	48	S09MN6	—
—	125	S11MN6	S11MN64A
—	250	S13MN6	S13MN64A

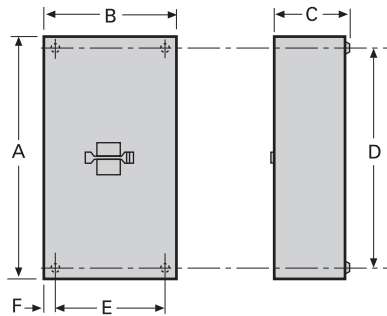


Figure 3

Auxiliary Switch Combinations

Maximum Voltage		1 Form C	2 Form C
AC	DC	Catalog Number	Catalog Number
480	250	A01MN64	A02MN64
—	12	A01MNDLV	A02MNDLV

Alarm Switch Combinations

Maximum Voltage		1 Alarm Switch	1 Alarm Switch and 1 Auxiliary Switch	1 Alarm Switch and 2 Auxiliary Switches
AC	DC	Catalog Number	Catalog Number	Catalog Number
480	250	B00MN64	A01MN64B	A02MN64B

Undervoltage Trip Combinations

Control Voltage		1 Undervoltage Trip	1 Undervoltage Trip and 1 Auxiliary Switch	1 Undervoltage Trip and 2 Auxiliary Switches
AC	DC	Catalog Number	Catalog Number	Catalog Number
120	—	U01MN6	U01MN64A	U01MN64AA
208	—	U02MN6	U02MN64A	U02MN64AA
240	—	U03MN6	U03MN64A	U03MN64AA
277	—	U15MN6	U15MN64A	U15MN64AA
480	—	U04MN6	U04MN64A	U04MN64AA
600	—	U06MN6	—	—
—	24	U07MN6	U07MN64A	U07MN64AA
—	48	U09MN6	U09MN64A	U09MN64AA
—	125	U11MN6	U11MN64A	U11MN64AA
—	250	U13MN6	U13MN64A	U13MN64AA

Enclosure

Fig. No.	Breaker Frame	Number of Poles	Maximum Current Rating	Catalog Number	Weight Lb./Ship. Package
3	MD6, MXD6, HMD6, HMXD6, CMD6	2-3	1200	MND61	202

Breaker Frame	Dimensions (inches)					
	A	B	C	D	E	F
MD6, MXD6, HMD6, HMXD6, CMD6	60	22 ²⁷ / ₆₄	10	55 ⁷ / ₈	18 ¹ / ₄	2 ⁵ / ₆₄

Siemens Industry, Inc.
5400 Triangle Parkway
Norcross, GA 30092

1-800-241-4453
info.us@siemens.com

Order No. CBDS-MDN01-1116 | Printed in USA |
© 2016, Siemens Industry, Inc.

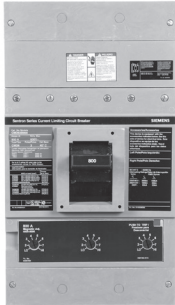
usa.siemens.com/circuitbreakers

Subject to changes and errors. The information given in this document only contains general descriptions and/or performance features which may not always specifically reflect those described, or which may undergo modification in the course of further development of the products. The requested performance features are binding only when they are expressly agreed upon in the concluded contract.

MD-Frame Sentron™ Series Circuit Breakers

NEMA Type 3R; 2 & 3-Pole; 500-800 Amperes

Molded Case Circuit Breakers



Ratings & Markings (UL 489 AIR Interrupting Ratings)

Breaker Type	RMS Symmetrical Amperes (kA)						Frame Only - Interchangeable trip		
	Volts AC (50/60Hz)			Volts DC		Breaker Type	Frame (2-Pole)	Frame (3-Pole)	
	240	480	600	250	500				
MD6, MXD6	65	50	25	30 (2-P)	25 (3-P)	MD6	MD62F800	MD63F800	
HMD6, HMXD6	100	65	50	30 (2-P)	50 (3-P)	HMD6	HMD62F800	HMD63F800	
CMD6	200	100	65	—	50 (3-P)	—	—	—	

Dimensions

Breaker Type	Length	Width	Depth	D-1 (to handle)
MD6, MXD6, HMD6, HMXD6, CMD6, MXD6-ETI, CMD6-ETI	16 in.	9 in.	6 in.	8.25 in.
With lug shields	24 in.	9 in.	6 in.	8.25 in.

Frames

Trip Amperage	Poles	Breaker-Type Non-interchangeable Trip			Breaker-Type Interchangeable Trip		Trip Unit only
		MXD6	HMXD6	CMD6	MD6	HMD6	
500	2	—	—	—	MD62B500	HMD62B500	MD62T500
600	2	MXD62B600	—	—	MD62B600	HMD62B600	MD62T600
700	2	MXD62B700	—	—	MD62B700	HMD62B700	MD62T700
800	2	MXD62B800	—	—	MD62B800	HMD62B800	MD62T800
500	3	—	—	—	MD63B500	HMD63B500	MD63T500
600	3	MXD63B600	HMXD63B600	CMD63B600	MD63B600	HMD63B600	MD63T600
700	3	MXD63B700	HMXD63B700	CMD63B700	MD63B700	HMD63B700	MD63T700
800	3	MXD63B800	HMXD63B800	CMD63B800	MD63B800	HMD63B800	MD63T800

Frames - Magnetic Trip Only - ETI Motor Circuit Protector

Ampere Rating	Poles	Minimum	Maximum	MXD6	CMD6
800	3	3000	6000	MXD63L800	CMD63L800
800	3	4000	8000	MXD63A800	CMD63A800
800	3	5000	10000	MXD63H800	CMD63H800

Frames - Molded Case Switch - Circuit Disconnect

Ampere Rating	Poles	MXD6	CMD6
800	3	MXD63S800A	CMD63S800A

Lugs For 75°C Wire

Catalog Number	Cables Per Lug	Lugs Per Kit	Wire Range
TA2K500	1-2	1	#1-500 kcmil Cu/Al
TA3K500	1-3	1	1/0-500 kcmil Cu/Al
TC2K500	1-2	1	#1-500 kcmil Cu
TC3K350	1-3	1	#1-350 kcmil Cu
Kits			
2TA2N8750 3TA2N8750	1-2	2 3	500-750 kcmil Cu/Al
2TA3N8750 3TA3N8750	1-3	2 3	500-750 kcmil Cu/Al
2TA4N8500 3TA4N8500	1-4	2 3	250-500 kcmil Cu/Al
2TA4P8500 3TA4P8500	1-4	2 3	250-500 kcmil Cu/Al

Shunt Trip Combinations

Control Voltage		1 Shunt Trip	1 Shunt Trip and 1 Auxiliary Switch
AC	DC	Catalog Number	Catalog Number
120	—	S01MN6	S01MN64A
208	—	S02MN6	—
240	—	S03MN6	S03MN64A
277	—	S15MN6	S15MN64A
480	—	S04MN6	S04MN64A
600	—	S06MN6	—
—	12	S16MN6	S16MN64A
—	24	S07MN6	S07MN64A
—	48	S09MN6	—
—	125	S11MN6	S11MN64A
—	250	S13MN6	S13MN64A

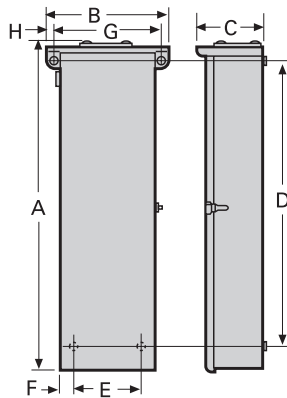


Figure 1

Auxiliary Switch Combinations

Maximum Voltage		1 Form C	2 Form C
AC	DC	Catalog Number	Catalog Number
480	250	A01MN64	A02MN64
—	12	A01MNDLV	A02MNDLV

Alarm Switch Combinations

Maximum Voltage		1 Alarm Switch	1 Alarm Switch and 1 Auxiliary Switch	1 Alarm Switch and 2 Auxiliary Switches
AC	DC	Catalog Number	Catalog Number	Catalog Number
480	250	B00MN64	A01MN64B	A02MN64B

Undervoltage Trip Combinations

Control Voltage		1 Undervoltage Trip	1 Undervoltage Trip and 1 Auxiliary Switch	1 Undervoltage Trip and 2 Auxiliary Switches
AC	DC	Catalog Number	Catalog Number	Catalog Number
120	—	U01MN6	U01MN64A	U01MN64AA
208	—	U02MN6	U02MN64A	U02MN64AA
240	—	U03MN6	U03MN64A	U03MN64AA
277	—	U15MN6	U15MN64A	U15MN64AA
480	—	U04MN6	U04MN64A	U04MN64AA
600	—	U06MN6	—	—
—	24	U07MN6	U07MN64A	U07MN64AA
—	48	U09MN6	U09MN64A	U09MN64AA
—	125	U11MN6	U11MN64A	U11MN64AA
—	250	U13MN6	U13MN64A	U13MN64AA

Enclosure

Fig. No.	Breaker Frame	Number of Poles	Maximum Current Rating	Catalog Number	Weight Lb./Ship. Package
1	MD6, MXD6, HMD6, HMXD6, CMD6	2-3	1200	MND63	210

Breaker Frame	Dimensions (inches)							
	A	B	C	D	E	F	G	H
MD6, MXD6, HMD6, HMXD6, CMD6	61 ⁹ / ₆₄	26 ³ / ₄	11 ²³ / ₃₂	57 ¹⁷ / ₃₂	18 ¹ / ₄	2 ¹ / ₈	24 ⁵ / ₈	1 ¹ / ₁₆

Siemens Industry, Inc.
5400 Triangle Parkway
Norcross, GA 30092

1-800-241-4453
info.us@siemens.com

Order No. CBDS-MDN3R-1116 | Printed in USA |
© 2016, Siemens Industry, Inc.

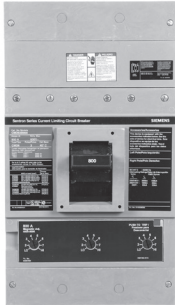
usa.siemens.com/circuitbreakers

Subject to changes and errors. The information given in this document only contains general descriptions and/or performance features which may not always specifically reflect those described, or which may undergo modification in the course of further development of the products. The requested performance features are binding only when they are expressly agreed upon in the concluded contract.

MD-Frame Sentron™ Series Circuit Breakers

NEMA Type 12; 2 & 3-Pole; 500-800 Amperes

Molded Case Circuit Breakers



Ratings & Markings (UL 489 AIR Interrupting Ratings)

Breaker Type	RMS Symmetrical Amperes (kA)							
	Volts AC (50/60Hz)			Volts DC		Frame Only - Interchangeable trip		
	240	480	600	250	500	Breaker Type	Frame (2-Pole)	Frame (3-Pole)
MD6, MXD6	65	50	25	30 (2-P)	25 (3-P)	MD6	MD62F800	MD63F800
HMD6, HMXD6	100	65	50	30 (2-P)	50 (3-P)	HMD6	HMD62F800	HMD63F800
CMD6	200	100	65	—	50 (3-P)	—	—	—

Dimensions

Breaker Type	Length	Width	Depth	D-1 (to handle)
MD6, MXD6, HMD6, HMXD6, CMD6, MXD6-ETI, CMD6-ETI	16 in.	9 in.	6 in.	8.25 in.
With lug shields	24 in.	9 in.	6 in.	8.25 in.

Frames

Trip Amperage	Poles	Breaker-Type Non-interchangeable Trip			Breaker-Type Interchangeable Trip		Trip Unit only
		MXD6	HMXD6	CMD6	MD6	HMD6	
500	2	—	—	—	MD62B500	HMD62B500	MD62T500
600	2	MXD62B600	—	—	MD62B600	HMD62B600	MD62T600
700	2	MXD62B700	—	—	MD62B700	HMD62B700	MD62T700
800	2	MXD62B800	—	—	MD62B800	HMD62B800	MD62T800
500	3	—	—	—	MD63B500	HMD63B500	MD63T500
600	3	MXD63B600	HMXD63B600	CMD63B600	MD63B600	HMD63B600	MD63T600
700	3	MXD63B700	HMXD63B700	CMD63B700	MD63B700	HMD63B700	MD63T700
800	3	MXD63B800	HMXD63B800	CMD63B800	MD63B800	HMD63B800	MD63T800

Frames - Magnetic Trip Only - ETI Motor Circuit Protector

Ampere Rating	Poles	Minimum	Maximum	MXD6	CMD6
800	3	3000	6000	MXD63L800	CMD63L800
800	3	4000	8000	MXD63A800	CMD63A800
800	3	5000	10000	MXD63H800	CMD63H800

Frames - Molded Case Switch - Circuit Disconnect

Ampere Rating	Poles	MXD6	CMD6
800	3	MXD63S800A	CMD63S800A

Lugs For 75°C Wire

Catalog Number	Cables Per Lug	Lugs Per Kit	Wire Range
TA2K500	1-2	1	#1-500 kcmil Cu/Al
TA3K500	1-3	1	1/0-500 kcmil Cu/Al
TC2K500	1-2	1	#1-500 kcmil Cu
TC3K350	1-3	1	#1-350 kcmil Cu
Kits			
2TA2N8750 3TA2N8750	1-2	2 3	500-750 kcmil Cu/Al
2TA3N8750 3TA3N8750	1-3	2 3	500-750 kcmil Cu/Al
2TA4N8500 3TA4N8500	1-4	2 3	250-500 kcmil Cu/Al
2TA4P8500 3TA4P8500	1-4	2 3	250-500 kcmil Cu/Al

Shunt Trip Combinations

Control Voltage		1 Shunt Trip	1 Shunt Trip and 1 Auxiliary Switch
AC	DC	Catalog Number	Catalog Number
120	—	S01MN6	S01MN64A
208	—	S02MN6	—
240	—	S03MN6	S03MN64A
277	—	S15MN6	S15MN64A
480	—	S04MN6	S04MN64A
600	—	S06MN6	—
—	12	S16MN6	S16MN64A
—	24	S07MN6	S07MN64A
—	48	S09MN6	—
—	125	S11MN6	S11MN64A
—	250	S13MN6	S13MN64A

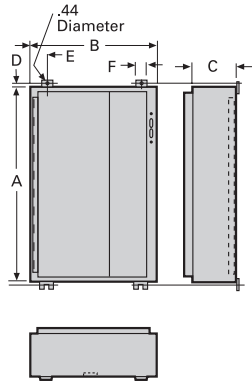


Figure 4

Auxiliary Switch Combinations

Maximum Voltage		1 Form C	2 Form C
AC	DC	Catalog Number	Catalog Number
480	250	A01MN64	A02MN64
—	12	A01MNDLV	A02MNDLV

Alarm Switch Combinations

Maximum Voltage		1 Alarm Switch	1 Alarm Switch and 1 Auxiliary Switch	1 Alarm Switch and 2 Auxiliary Switches
AC	DC	Catalog Number	Catalog Number	Catalog Number
480	250	B00MN64	A01MN64B	A02MN64B

Undervoltage Trip Combinations

Control Voltage		1 Undervoltage Trip	1 Undervoltage Trip and 1 Auxiliary Switch	1 Undervoltage Trip and 2 Auxiliary Switches
AC	DC	Catalog Number	Catalog Number	Catalog Number
120	—	U01MN6	U01MN64A	U01MN64AA
208	—	U02MN6	U02MN64A	U02MN64AA
240	—	U03MN6	U03MN64A	U03MN64AA
277	—	U15MN6	U15MN64A	U15MN64AA
480	—	U04MN6	U04MN64A	U04MN64AA
600	—	U06MN6	—	—
—	24	U07MN6	U07MN64A	U07MN64AA
—	48	U09MN6	U09MN64A	U09MN64AA
—	125	U11MN6	U11MN64A	U11MN64AA
—	250	U13MN6	U13MN64A	U13MN64AA

Enclosure

Fig. No.	Breaker Frame	Number of Poles	Maximum Current Rating	Catalog Number	Weight Lb./Ship. Package
4	MD6, MXD6, HMD6, HMXD6, CMD6	2-3	1200	MND612	220

Breaker Frame	Dimensions (inches)					
	A	B	C	D	E	F
MD6, MXD6, HMD6, HMXD6, CMD6	60	37 3/8	10	5/8	3	2

Siemens Industry, Inc.
5400 Triangle Parkway
Norcross, GA 30092

1-800-241-4453
info.us@siemens.com

Order No. CBDS-MDN12-1116 | Printed in USA |
© 2016, Siemens Industry, Inc.

usa.siemens.com/circuitbreakers

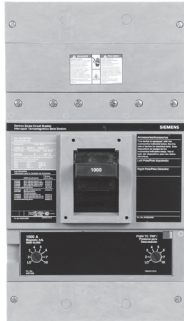
Subject to changes and errors. The information given in this document only contains general descriptions and/or performance features which may not always specifically reflect those described, or which may undergo modification in the course of further development of the products. The requested performance features are binding only when they are expressly agreed upon in the concluded contract.

Sentron Circuit Breaker Cut Sheets with Enclosure for ND

ND-Frame Sentron™ Series Circuit Breakers

NEMA Type 1; 2 & 3-Pole; 800-1200 Amperes

Molded Case Circuit Breakers



Ratings & Markings (UL 489 AIR Interrupting Ratings)

Breaker Type	RMS Symmetrical Amperes (kA)						Frame Only		
	Volts AC (50/60Hz)			Volts DC		Breaker Type	Frame (2-Pole)	Frame (3-Pole)	
	240	480	600	250	500				
ND6, NXD6	65	50	25	30 (2-P)	25 (3-P)	ND6	ND62F120	ND63F120	
HND6, HNXD6	100	65	50	30 (2-P)	50 (3-P)	HND6	HND63F120	—	
CND6	200	100	65	—	50 (3-P)	—	—	—	

Dimensions

Breaker Type	Length	Width	Depth	D-1 (to handle)
ND6, NXD6, HND6, HNXD6, CND6	16 in.	9 in.	6 in.	8.25 in.
With NDTs lug shield	24 in.	9 in.	6 in.	8.25 in.

Frames

Trip Amperage	Poles	Breaker-Type Non-interchangeable Trip		Breaker-Type Interchangeable Trip		Trip Unit only
		NXD6	HNXD6	HND6	ND6	ND6
800	2	—	—	—	ND62B800	MD62T800
900	2	NXD62B900	—	—	ND62B900	ND62T900
1000	2	NXD62B100	—	—	ND62B100	ND62T100
1200	2	NXD62B120	—	—	ND62B120	ND62T120
800	3	—	—	HND63B800	ND63B800	MD63T800
900	3	NXD63B900	HNXD63B900	HND63B900	ND63B900	ND63T900
1000	3	NXD63B100	HNXD63B100	HND63B100	ND63B100	ND63T100
1200	3	NXD63B120	HNXD63B120	HND63B120	ND63B120	ND63T120

Frames - Molded Case Switch - Circuit Disconnect

Ampere Rating	Poles	FXD6	HFXD6	CFD6
1200	3	NXD63S120A	HFXD62S250A	CFD63S250A
250	3	FXD63S250A	HFXD63S250A	—

Lugs For 75°C Wire

Catalog Number	Cables Per Lug	Wire Range
TA2K500	2	#1-500 kcmil Cu/Al
TA3K500	3	#1-500 kcmil Cu/Al
TC2K500	2	#1-500 kcmil Cu
TC3K350	3	#1-350 kcmil Cu
Kits (2 Kits required per breaker)		
2TA4P8500 3TA4P8500	4	250–500 kcmil Cu/Al
2TA4N8500 3TA4N8500	4	250–500 kcmil Cu/Al
2TA2N8750 3TA2N8750	2	500–750 kcmil Cu/Al
2TA3N8750 3TA3N8750	3	500–750 kcmil Cu/Al

Shunt Trip Combinations

Control Voltage		1 Shunt Trip	1 Shunt Trip and 1 Auxiliary Switch
AC	DC	Catalog Number	Catalog Number
120	—	S01MN6	S01MN64A
208	—	S02MN6	—
240	—	S03MN6	S03MN64A
277	—	S15MN6	S15MN64A
480	—	S04MN6	S04MN64A
600	—	S06MN6	—
—	12	S16MN6	S16MN64A
—	24	S07MN6	S07MN64A
—	48	S09MN6	—
—	125	S11MN6	S11MN64A
—	250	S13MN6	S13MN64A

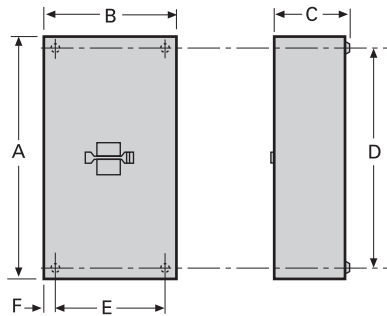


Figure 3

Auxiliary Switch Combinations

Maximum Voltage		1 Form C	2 Form C
AC	DC	Catalog Number	Catalog Number
480	250	A01MN64	A02MN64
—	12	A01MNDLV	A02MNDLV

Alarm Switch Combinations

Maximum Voltage		1 Alarm Switch	1 Alarm Switch and 1 Auxiliary Switch	1 Alarm Switch and 2 Auxiliary Switches
AC	DC	Catalog Number	Catalog Number	Catalog Number
480	250	B00MN64	A01MN64B	A02MN64B

Undervoltage Trip Combinations

Control Voltage		1 Undervoltage Trip	1 Undervoltage Trip and 1 Auxiliary Switch	1 Undervoltage Trip and 2 Auxiliary Switches
AC	DC	Catalog Number	Catalog Number	Catalog Number
120	—	U01MN6	U01MN64A	U01MN64AA
208	—	U02MN6	U02MN64A	U02MN64AA
240	—	U03MN6	U03MN64A	U03MN64AA
277	—	U15MN6	U15MN64A	U15MN64AA
480	—	U04MN6	U04MN64A	U04MN64AA
600	—	U06MN6	—	—
—	24	U07MN6	U07MN64A	U07MN64AA
—	48	U09MN6	U09MN64A	U09MN64AA
—	125	U11MN6	U11MN64A	U11MN64AA
—	250	U13MN6	U13MN64A	U13MN64AA

Enclosure

Fig. No.	Breaker Frame	Number of Poles	Maximum Current Rating	Catalog Number	Weight Lb./Ship. Package
3	ND6, NXD6, HND6, HNXD6, CND6	2-3	1200	MND61	202

Breaker Frame	Dimensions (inches)					
	A	B	C	D	E	F
ND6, NXD6, HND6, HNXD6, CND6	60	22 ²⁷ / ₆₄	10	55 ⁷ / ₈	18 ¹ / ₄	2 ⁵ / ₆₄

Siemens Industry, Inc.
5400 Triangle Parkway
Norcross, GA 30092

1-800-241-4453
info.us@siemens.com

Order No. CBDS-NDN01-1116 | Printed in USA |
© 2016, Siemens Industry, Inc.

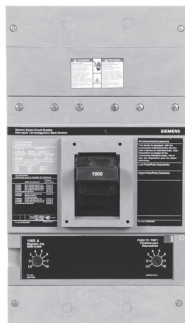
usa.siemens.com/circuitbreakers

Subject to changes and errors. The information given in this document only contains general descriptions and/or performance features which may not always specifically reflect those described, or which may undergo modification in the course of further development of the products. The requested performance features are binding only when they are expressly agreed upon in the concluded contract.

ND-Frame Sentron™ Series Circuit Breakers

NEMA Type 3R; 2 & 3-Pole; 800-1200 Amperes

Molded Case Circuit Breakers



Ratings & Markings (UL 489 AIR Interrupting Ratings)

Breaker Type	RMS Symmetrical Amperes (kA)						Frame Only		
	Volts AC (50/60Hz)			Volts DC		Breaker Type	Frame (2-Pole)	Frame (3-Pole)	
	240	480	600	250	500				
ND6, NXD6	65	50	25	30 (2-P)	25 (3-P)	ND6	ND62F120	ND63F120	
HND6, HNXD6	100	65	50	30 (2-P)	50 (3-P)	HND6	HND63F120	—	
CND6	200	100	65	—	50 (3-P)	—	—	—	

Dimensions

Breaker Type	Length	Width	Depth	D-1 (to handle)
ND6, NXD6, HND6, HNXD6, CND6	16 in.	9 in.	6 in.	8.25 in.
With NDTs lug shield	24 in.	9 in.	6 in.	8.25 in.

Frames

Trip Amperage	Poles	Breaker-Type Non-interchangeable Trip		Breaker-Type Interchangeable Trip		Trip Unit only
		NXD6	HNXD6	HND6	ND6	ND6
800	2	—	—	—	ND62B800	MD62T800
900	2	NXD62B900	—	—	ND62B900	ND62T900
1000	2	NXD62B100	—	—	ND62B100	ND62T100
1200	2	NXD62B120	—	—	ND62B120	ND62T120
800	3	—	—	HND63B800	ND63B800	MD63T800
900	3	NXD63B900	HNXD63B900	HND63B900	ND63B900	ND63T900
1000	3	NXD63B100	HNXD63B100	HND63B100	ND63B100	ND63T100
1200	3	NXD63B120	HNXD63B120	HND63B120	ND63B120	ND63T120

Frames - Molded Case Switch - Circuit Disconnect

Ampere Rating	Poles	FXD6	HFXD6	CFD6
1200	3	NXD63S120A	HFXD62S250A	CFD63S250A
250	3	FXD63S250A	HFXD63S250A	—

Lugs For 75°C Wire

Catalog Number	Cables Per Lug	Wire Range
TA2K500	2	#1-500 kcmil Cu/Al
TA3K500	3	#1-500 kcmil Cu/Al
TC2K500	2	#1-500 kcmil Cu
TC3K350	3	#1-350 kcmil Cu
Kits (2 Kits required per breaker)		
2TA4P8500 3TA4P8500	4	250–500 kcmil Cu/Al
2TA4N8500 3TA4N8500	4	250–500 kcmil Cu/Al
2TA2N8750 3TA2N8750	2	500–750 kcmil Cu/Al
2TA3N8750 3TA3N8750	3	500–750 kcmil Cu/Al

Shunt Trip Combinations

Control Voltage		1 Shunt Trip	1 Shunt Trip and 1 Auxiliary Switch
AC	DC	Catalog Number	Catalog Number
120	—	S01MN6	S01MN64A
208	—	S02MN6	—
240	—	S03MN6	S03MN64A
277	—	S15MN6	S15MN64A
480	—	S04MN6	S04MN64A
600	—	S06MN6	—
—	12	S16MN6	S16MN64A
—	24	S07MN6	S07MN64A
—	48	S09MN6	—
—	125	S11MN6	S11MN64A
—	250	S13MN6	S13MN64A

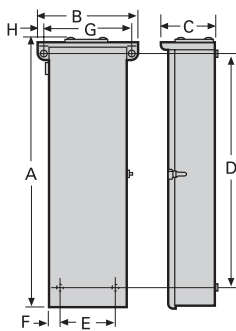


Figure 1

Auxiliary Switch Combinations

Maximum Voltage		1 Form C	2 Form C
AC	DC	Catalog Number	Catalog Number
480	250	A01MN64	A02MN64
—	12	A01MNDLV	A02MNDLV

Alarm Switch Combinations

Maximum Voltage		1 Alarm Switch	1 Alarm Switch and 1 Auxiliary Switch	1 Alarm Switch and 2 Auxiliary Switches
AC	DC	Catalog Number	Catalog Number	Catalog Number
480	250	B00MN64	A01MN64B	A02MN64B

Undervoltage Trip Combinations

Control Voltage		1 Undervoltage Trip	1 Undervoltage Trip and 1 Auxiliary Switch	1 Undervoltage Trip and 2 Auxiliary Switches
AC	DC	Catalog Number	Catalog Number	Catalog Number
120	—	U01MN6	U01MN64A	U01MN64AA
208	—	U02MN6	U02MN64A	U02MN64AA
240	—	U03MN6	U03MN64A	U03MN64AA
277	—	U15MN6	U15MN64A	U15MN64AA
480	—	U04MN6	U04MN64A	U04MN64AA
600	—	U06MN6	—	—
—	24	U07MN6	U07MN64A	U07MN64AA
—	48	U09MN6	U09MN64A	U09MN64AA
—	125	U11MN6	U11MN64A	U11MN64AA
—	250	U13MN6	U13MN64A	U13MN64AA

Enclosure

Fig. No.	Breaker Frame	Number of Poles	Maximum Current Rating	Catalog Number	Weight Lb./Ship. Package
1	ND6, NXD6, HND6, HNXD6, CND6	2-3	1200	MND63	210

Breaker Frame	Dimensions (inches)							
	A	B	C	D	E	F	G	H
ND6, NXD6, HND6, HNXD6, CND6	61 ⁹ / ₆₄	26 ³ / ₄	11 ²³ / ₃₂	57 ¹⁷ / ₃₂	18 ¹ / ₄	2 ¹ / ₈	24 ⁵ / ₈	1 ¹ / ₁₆

Siemens Industry, Inc.
5400 Triangle Parkway
Norcross, GA 30092

1-800-241-4453
info.us@siemens.com

Order No. CBDS-NDN3R-1116 | Printed in USA |
© 2016, Siemens Industry, Inc.

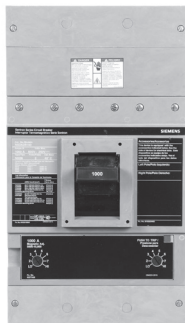
usa.siemens.com/circuitbreakers

Subject to changes and errors. The information given in this document only contains general descriptions and/or performance features which may not always specifically reflect those described, or which may undergo modification in the course of further development of the products. The requested performance features are binding only when they are expressly agreed upon in the concluded contract.

ND-Frame Sentron™ Series Circuit Breakers

NEMA Types 12; 2 & 3-Pole; 800-1200 Amperes

Molded Case Circuit Breakers



Ratings & Markings (UL 489 AIR Interrupting Ratings)

Breaker Type	RMS Symmetrical Amperes (kA)						Frame Only		
	Volts AC (50/60Hz)			Volts DC		Breaker Type	Frame (2-Pole)	Frame (3-Pole)	
	240	480	600	250	500				
ND6, NXD6	65	50	25	30 (2-P)	25 (3-P)	ND6	ND62F120	ND63F120	
HND6, HNXD6	100	65	50	30 (2-P)	50 (3-P)	HND6	HND63F120	—	
CND6	200	100	65	—	50 (3-P)	—	—	—	

Dimensions

Breaker Type	Length	Width	Depth	D-1 (to handle)
ND6, NXD6, HND6, HNXD6, CND6	16 in.	9 in.	6 in.	8.25 in.
With NDTs lug shield	24 in.	9 in.	6 in.	8.25 in.

Frames

Trip Amperage	Poles	Breaker-Type Non-interchangeable Trip		Breaker-Type Interchangeable Trip		Trip Unit only
		NXD6	HNXD6	HND6	ND6	ND6
800	2	—	—	—	ND62B800	MD62T800
900	2	NXD62B900	—	—	ND62B900	ND62T900
1000	2	NXD62B100	—	—	ND62B100	ND62T100
1200	2	NXD62B120	—	—	ND62B120	ND62T120
800	3	—	—	HND63B800	ND63B800	MD63T800
900	3	NXD63B900	HNXD63B900	HND63B900	ND63B900	ND63T900
1000	3	NXD63B100	HNXD63B100	HND63B100	ND63B100	ND63T100
1200	3	NXD63B120	HNXD63B120	HND63B120	ND63B120	ND63T120

Frames - Molded Case Switch - Circuit Disconnect

Ampere Rating	Poles	FXD6	HFXD6	CFD6
1200	3	NXD63S120A	HFXD62S250A	CFD63S250A
250	3	FXD63S250A	HFXD63S250A	—

Lugs For 75°C Wire

Catalog Number	Cables Per Lug	Wire Range
TA2K500	2	#1-500 kcmil Cu/Al
TA3K500	3	#1-500 kcmil Cu/Al
TC2K500	2	#1-500 kcmil Cu
TC3K350	3	#1-350 kcmil Cu
Kits (2 Kits required per breaker)		
2TA4P8500 3TA4P8500	4	250–500 kcmil Cu/Al
2TA4N8500 3TA4N8500	4	250–500 kcmil Cu/Al
2TA2N8750 3TA2N8750	2	500–750 kcmil Cu/Al
2TA3N8750 3TA3N8750	3	500–750 kcmil Cu/Al

Shunt Trip Combinations

Control Voltage		1 Shunt Trip	1 Shunt Trip and 1 Auxiliary Switch
AC	DC	Catalog Number	Catalog Number
120	—	S01MN6	S01MN64A
208	—	S02MN6	—
240	—	S03MN6	S03MN64A
277	—	S15MN6	S15MN64A
480	—	S04MN6	S04MN64A
600	—	S06MN6	—
—	12	S16MN6	S16MN64A
—	24	S07MN6	S07MN64A
—	48	S09MN6	—
—	125	S11MN6	S11MN64A
—	250	S13MN6	S13MN64A

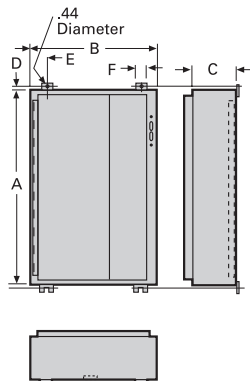


Figure 4

Auxiliary Switch Combinations

Maximum Voltage		1 Form C	2 Form C
AC	DC	Catalog Number	Catalog Number
480	250	A01MN64	A02MN64
—	12	A01MNDLV	A02MNDLV

Alarm Switch Combinations

Maximum Voltage		1 Alarm Switch	1 Alarm Switch and 1 Auxiliary Switch	1 Alarm Switch and 2 Auxiliary Switches
AC	DC	Catalog Number	Catalog Number	Catalog Number
480	250	B00MN64	A01MN64B	A02MN64B

Undervoltage Trip Combinations

Control Voltage		1 Undervoltage Trip	1 Undervoltage Trip and 1 Auxiliary Switch	1 Undervoltage Trip and 2 Auxiliary Switches
AC	DC	Catalog Number	Catalog Number	Catalog Number
120	—	U01MN6	U01MN64A	U01MN64AA
208	—	U02MN6	U02MN64A	U02MN64AA
240	—	U03MN6	U03MN64A	U03MN64AA
277	—	U15MN6	U15MN64A	U15MN64AA
480	—	U04MN6	U04MN64A	U04MN64AA
600	—	U06MN6	—	—
—	24	U07MN6	U07MN64A	U07MN64AA
—	48	U09MN6	U09MN64A	U09MN64AA
—	125	U11MN6	U11MN64A	U11MN64AA
—	250	U13MN6	U13MN64A	U13MN64AA

Enclosure

Fig. No.	Breaker Frame	Number of Poles	Maximum Current Rating	Weight Lb./ Ship. Package
4	ND6, NXD6, HND6, HNXD6, CND6	2-3	1200	220

Breaker Frame	Dimensions (inches)					
	A	B	C	D	E	F
ND6, NXD6, HND6, HNXD6, CND6	60	37 3/8	10	5/8	3	2

Siemens Industry, Inc.
5400 Triangle Parkway
Norcross, GA 30092

1-800-241-4453
info.us@siemens.com

Order No. CBDS-NDN12-1116 | Printed in USA |
© 2016, Siemens Industry, Inc.

usa.siemens.com/circuitbreakers

Subject to changes and errors. The information given in this document only contains general descriptions and/or performance features which may not always specifically reflect those described, or which may undergo modification in the course of further development of the products. The requested performance features are binding only when they are expressly agreed upon in the concluded contract.

Sentron Circuit Breaker Cut Sheets with Enclosure for SJD

Lugs For 75°C Wire

Catalog Number	Cables Per Lug	Wire Range
TA2J6500	2	#3/0-500 kcmil Cu
	2	#4/0-500 kcmil Al
TA1L6750	1	500-750 kcmil Al
	1	500-600 kcmil Cu
TC1J6600	1	#3/0-600 kcmil Cu
TC1J6500	2	#3/0-500 kcmil Cu
TA2J630	2	#4-#3/0-Cu/Al
Compression Lug		
CCL600	1	500 kcmil Cu/Al

Shunt Trip Combinations

Control Voltage		1 Shunt Trip	1 Shunt Trip and 1 Auxiliary Switch
AC	DC	Catalog Number	Catalog Number
24	—	S17JLD6	—
48	—	S18JLD6	—
120	—	S01JLD6	S01JLD62A
240	—	S03JLD6	S03JLD62A
277	—	S15JLD6	S15JLD64A
480	—	S04JLD6	—
—	12	S16JLD6	S16JLD62A
—	24	S07JLD6	S07JLD62A
—	48	S09JLD6	S09JLD62A
—	125	S11JLD6	S11JLD62A
—	250	S13JLD6	S13JLD62A

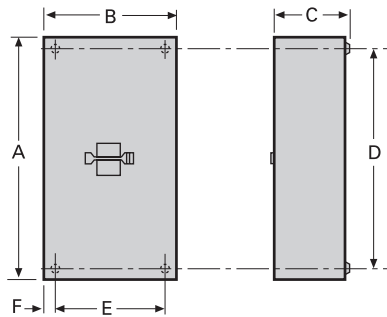


Figure 3

Auxiliary Switch Combinations

Maximum Voltage		1 Form C	2 Form C
AC	DC	Catalog Number	Catalog Number
480	250	A01JLD64	A02JLD64
—	12	A01JLDLV	A02JLDLV

Alarm Switch Combinations

Maximum Voltage		1 Alarm Switch	1 Alarm Switch and 1 Auxiliary Switch	1 Alarm Switch and 2 Auxiliary Switches
AC	DC	Catalog Number	Catalog Number	Catalog Number
480	250	B01JLD64	A01JLD64B	A02JLD64B

Undervoltage Trip Combinations

Control Voltage		1 Undervoltage Trip	1 Undervoltage Trip and 1 Auxiliary Switch	1 Undervoltage Trip and 2 Auxiliary Switches
AC	DC	Catalog Number	Catalog Number	Catalog Number
120	—	U01JLD6	U01JLD62A	U01JLD62AA
208	—	U02JLD6	U02JLD62A	U02JLD62AA
240	—	U03JLD6	U03JLD62A	U03JLD62AA
480	—	U06JLD6	U06JLD64A	U06JLD64AA
—	24	U13JLD6	U13JLD62A	U13JLD62AA
—	48	U14JLD6	U14JLD62A	U14JLD62AA
—	125	U10JLD6	U10JLD62A	U10JLD62AA
—	250	U12JLD6	U12JLD62A	U12JLD62AA

Enclosure

Fig. No.	Breaker Frame	Number of Poles	Maximum Current Rating	Catalog Number	Weight Lb./Ship. Package
3	SJD6, SHJD6	2-3	400	J6N1	120
3	SCJD6	2-3	600	LD6N1	101

Breaker Frame	Dimensions (inches)					
	A	B	C	D	E	F
SJD6, SHJD6	41 ³ / ₁₆	22 ²⁷ / ₆₄	10 ⁴⁵ / ₆₄	37	18 ¹ / ₄	2 ⁵ / ₆₄
SCJD6	46	22 ²⁷ / ₆₄	10 ⁴⁵ / ₆₄	42	18 ¹ / ₄	2 ⁵ / ₆₄

Siemens Industry, Inc.
5400 Triangle Parkway
Norcross, GA 30092

1-800-241-4453
info.us@siemens.com

Order No. CBDS-SJDN1-1116 | Printed in USA |
© 2016, Siemens Industry, Inc.

usa.siemens.com/circuitbreakers

Subject to changes and errors. The information given in this document only contains general descriptions and/or performance features which may not always specifically reflect those described, or which may undergo modification in the course of further development of the products. The requested performance features are binding only when they are expressly agreed upon in the concluded contract.

Lugs For 75°C Wire

Catalog Number	Cables Per Lug	Wire Range
TA2J6500	2	#3/0-500 kcmil Cu
	2	#4/0-500 kcmil Al
TA1L6750	1	500-750 kcmil Al
	1	500-600 kcmil Cu
TC1J6600	1	#3/0-600 kcmil Cu
TC1J6500	2	#3/0-500 kcmil Cu
TA2J630	2	#4-#3/0-Cu/Al
Compression Lug		
CCL600	1	500 kcmil Cu/Al

Shunt Trip Combinations

Control Voltage		1 Shunt Trip	1 Shunt Trip and 1 Auxiliary Switch
AC	DC	Catalog Number	Catalog Number
24	—	S17JLD6	—
48	—	S18JLD6	—
120	—	S01JLD6	S01JLD62A
240	—	S03JLD6	S03JLD62A
277	—	S15JLD6	S15JLD64A
480	—	S04JLD6	—
—	12	S16JLD6	S16JLD62A
—	24	S07JLD6	S07JLD62A
—	48	S09JLD6	S09JLD62A
—	125	S11JLD6	S11JLD62A
—	250	S13JLD6	S13JLD62A

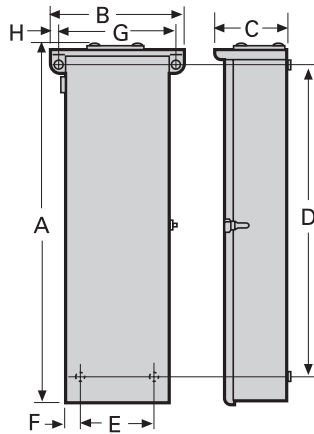


Figure 1

Auxiliary Switch Combinations

Maximum Voltage		1 Form C	2 Form C
AC	DC	Catalog Number	Catalog Number
480	250	A01JLD64	A02JLD64
—	12	A01JLDLV	A02JLDLV

Alarm Switch Combinations

Maximum Voltage		1 Alarm Switch	1 Alarm Switch and 1 Auxiliary Switch	1 Alarm Switch and 2 Auxiliary Switches
AC	DC	Catalog Number	Catalog Number	Catalog Number
480	250	B01JLD64	A01JLD64B	A02JLD64B

Undervoltage Trip Combinations

Control Voltage		1 Undervoltage Trip	1 Undervoltage Trip and 1 Auxiliary Switch	1 Undervoltage Trip and 2 Auxiliary Switches
AC	DC	Catalog Number	Catalog Number	Catalog Number
120	—	U01JLD6	U01JLD62A	U01JLD62AA
208	—	U02JLD6	U02JLD62A	U02JLD62AA
240	—	U03JLD6	U03JLD62A	U03JLD62AA
480	—	U06JLD6	U06JLD64A	U06JLD64AA
—	24	U13JLD6	U13JLD62A	U13JLD62AA
—	48	U14JLD6	U14JLD62A	U14JLD62AA
—	125	U10JLD6	U10JLD62A	U10JLD62AA
—	250	U12JLD6	U12JLD62A	U12JLD62AA

Enclosure

Fig. No.	Breaker Frame	Number of Poles	Maximum Current Rating	Catalog Number	Weight Lb./Ship. Package
1	SJD6, SHJD6	2-3	400	J6N3R	126
1	SCJD6	2-3	600	LD6N3R	137

Breaker Frame	Dimensions (inches)							
	A	B	C	D	E	F	G	H
SJD6, SHJD6	40 ⁶³ / ₆₄	26 ³ / ₄	11 ²³ / ₃₂	35 ³ / ₄	18 ¹ / ₄	2 ¹ / ₈	24 ¹ / ₂	¹³ / ₁₆
SCJD6,	45 ⁶³ / ₆₄	26 ³ / ₄	11 ²³ / ₃₂	40 ³ / ₄	18 ¹ / ₄	2 ¹ / ₈	24 ¹ / ₂	1 ¹ / ₈

Siemens Industry, Inc.
5400 Triangle Parkway
Norcross, GA 30092

1-800-241-4453
info.us@siemens.com

Order No. CBDS-SJD3R-1116 | Printed in USA |
© 2016, Siemens Industry, Inc.

usa.siemens.com/circuitbreakers

Subject to changes and errors. The information given in this document only contains general descriptions and/or performance features which may not always specifically reflect those described, or which may undergo modification in the course of further development of the products. The requested performance features are binding only when they are expressly agreed upon in the concluded contract.

Lugs For 75°C Wire

Catalog Number	Cables Per Lug	Wire Range
TA2J6500	2	#3/0-500 kcmil Cu
	2	#4/0-500 kcmil Al
TA1L6750	1	500-750 kcmil Al
	1	500-600 kcmil Cu
TC1J6600	1	#3/0-600 kcmil Cu
TC1J6500	2	#3/0-500 kcmil Cu
TA2J630	2	#4-#3/0-Cu/Al
Compression Lug		
CCL600	1	500 kcmil Cu/Al

Shunt Trip Combinations

Control Voltage		1 Shunt Trip	1 Shunt Trip and 1 Auxiliary Switch
AC	DC	Catalog Number	Catalog Number
24	—	S17JLD6	—
48	—	S18JLD6	—
120	—	S01JLD6	S01JLD62A
240	—	S03JLD6	S03JLD62A
277	—	S15JLD6	S15JLD64A
480	—	S04JLD6	—
—	12	S16JLD6	S16JLD62A
—	24	S07JLD6	S07JLD62A
—	48	S09JLD6	S09JLD62A
—	125	S11JLD6	S11JLD62A
—	250	S13JLD6	S13JLD62A

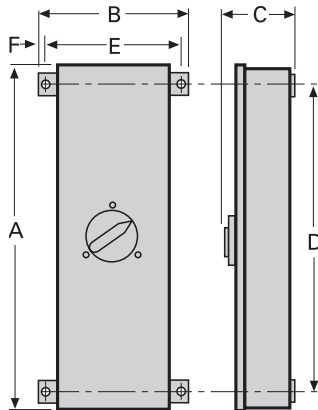


Figure 3

Auxiliary Switch Combinations

Maximum Voltage		1 Form C	2 Form C
AC	DC	Catalog Number	Catalog Number
480	250	A01JLD64	A02JLD64
—	12	A01JLDLV	A02JLDLV

Alarm Switch Combinations

Maximum Voltage		1 Alarm Switch	1 Alarm Switch and 1 Auxiliary Switch	1 Alarm Switch and 2 Auxiliary Switches
AC	DC	Catalog Number	Catalog Number	Catalog Number
480	250	B01JLD64	A01JLD64B	A02JLD64B

Undervoltage Trip Combinations

Control Voltage		1 Undervoltage Trip	1 Undervoltage Trip and 1 Auxiliary Switch	1 Undervoltage Trip and 2 Auxiliary Switches
AC	DC	Catalog Number	Catalog Number	Catalog Number
120	—	U01JLD6	U01JLD62A	U01JLD62AA
208	—	U02JLD6	U02JLD62A	U02JLD62AA
240	—	U03JLD6	U03JLD62A	U03JLD62AA
480	—	U06JLD6	U06JLD64A	U06JLD64AA
—	24	U13JLD6	U13JLD62A	U13JLD62AA
—	48	U14JLD6	U14JLD62A	U14JLD62AA
—	125	U10JLD6	U10JLD62A	U10JLD62AA
—	250	U12JLD6	U12JLD62A	U12JLD62AA

Enclosure

Fig. No.	Breaker Frame	Number of Poles	Maximum Current Rating	Catalog Number	Weight Lb./Ship. Package
3	SJD6, SHJD6	2-3	400	J6N12	104
3	SCJD6	2-3	600	LD6N12	104

Breaker Frame	Dimensions (inches)					
	A	B	C	D	E	F
SJD6, SHJD6	46 1/2	21 3/8	11 7/8	37 5/32	20 3/8	5/8
SCJD6	46 1/2	21 3/8	11 7/8	42 5/32	20 3/8	5/8

Siemens Industry, Inc.
5400 Triangle Parkway
Norcross, GA 30092

1-800-241-4453
info.us@siemens.com

Order No. CBDS-SJD12-1116 | Printed in USA |
© 2016, Siemens Industry, Inc.

usa.siemens.com/circuitbreakers

Subject to changes and errors. The information given in this document only contains general descriptions and/or performance features which may not always specifically reflect those described, or which may undergo modification in the course of further development of the products. The requested performance features are binding only when they are expressly agreed upon in the concluded contract.

Lugs For 75°C Wire

Catalog Number	Cables Per Lug	Wire Range
TA2J6500	2	#3/0-500 kcmil Cu
	2	#4/0-500 kcmil Al
TA1L6750	1	500-750 kcmil Al
	1	500-600 kcmil Cu
TC1J6600	1	#3/0-600 kcmil Cu
TC1J6500	2	#3/0-500 kcmil Cu
TA2J630	2	#4-#3/0-Cu/Al
Compression Lug		
CCL600	1	500 kcmil Cu/Al

Shunt Trip Combinations

Control Voltage		1 Shunt Trip	1 Shunt Trip and 1 Auxiliary Switch
AC	DC	Catalog Number	Catalog Number
24	—	S17JLD6	—
48	—	S18JLD6	—
120	—	S01JLD6	S01JLD62A
240	—	S03JLD6	S03JLD62A
277	—	S15JLD6	S15JLD64A
480	—	S04JLD6	—
—	12	S16JLD6	S16JLD62A
—	24	S07JLD6	S07JLD62A
—	48	S09JLD6	S09JLD62A
—	125	S11JLD6	S11JLD62A
—	250	S13JLD6	S13JLD62A

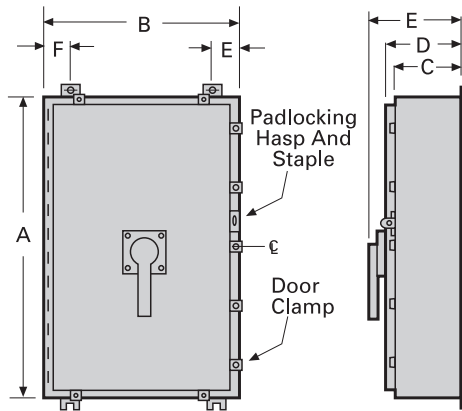


Figure 1A

Auxiliary Switch Combinations

Maximum Voltage		1 Form C	2 Form C
AC	DC	Catalog Number	Catalog Number
480	250	A01JLD64	A02JLD64
—	12	A01JLDLV	A02JLDLV

Alarm Switch Combinations

Maximum Voltage		1 Alarm Switch	1 Alarm Switch and 1 Auxiliary Switch	1 Alarm Switch and 2 Auxiliary Switches
AC	DC	Catalog Number	Catalog Number	Catalog Number
480	250	B01JLD64	A01JLD64B	A02JLD64B

Undervoltage Trip Combinations

Control Voltage		1 Undervoltage Trip	1 Undervoltage Trip and 1 Auxiliary Switch	1 Undervoltage Trip and 2 Auxiliary Switches
AC	DC	Catalog Number	Catalog Number	Catalog Number
120	—	U01JLD6	U01JLD62A	U01JLD62AA
208	—	U02JLD6	U02JLD62A	U02JLD62AA
240	—	U03JLD6	U03JLD62A	U03JLD62AA
480	—	U06JLD6	U06JLD64A	U06JLD64AA
—	24	U13JLD6	U13JLD62A	U13JLD62AA
—	48	U14JLD6	U14JLD62A	U14JLD62AA
—	125	U10JLD6	U10JLD62A	U10JLD62AA
—	250	U12JLD6	U12JLD62A	U12JLD62AA

Enclosure

Fig. No.	Breaker Frame	Number of Poles	Maximum Current Rating	Catalog Number	Weight Lb./Ship. Package
1A	SJD6, SHJD6	2-3	600	LD6SS4	145

Breaker Frame	Dimensions (inches)					
	A	B	C	D	E	F
SJD6, SHJD6	42	30	10	11 7/32	13 3/4	3

Siemens Industry, Inc.
5400 Triangle Parkway
Norcross, GA 30092

1-800-241-4453
info.us@siemens.com

Order No. CBDS-SJD4X-1116 | Printed in USA |
© 2016, Siemens Industry, Inc.

usa.siemens.com/circuitbreakers

Subject to changes and errors. The information given in this document only contains general descriptions and/or performance features which may not always specifically reflect those described, or which may undergo modification in the course of further development of the products. The requested performance features are binding only when they are expressly agreed upon in the concluded contract.

Lugs For 75°C Wire

Catalog Number	Cables Per Lug	Wire Range
TA2J6500	2	#3/0-500 kcmil Cu
	2	#4/0-500 kcmil Al
TA1L6750	1	500-750 kcmil Al
	1	500-600 kcmil Cu
TC1J6600	1	#3/0-600 kcmil Cu
TC1J6500	2	#3/0-500 kcmil Cu
TA2J630	2	#4-#3/0-Cu/Al
Compression Lug		
CCL600	1	500 kcmil Cu/Al

Shunt Trip Combinations

Control Voltage		1 Shunt Trip	1 Shunt Trip and 1 Auxiliary Switch
AC	DC	Catalog Number	Catalog Number
24	—	S17JLD6	—
48	—	S18JLD6	—
120	—	S01JLD6	S01JLD62A
240	—	S03JLD6	S03JLD62A
277	—	S15JLD6	S15JLD64A
480	—	S04JLD6	—
—	12	S16JLD6	S16JLD62A
—	24	S07JLD6	S07JLD62A
—	48	S09JLD6	S09JLD62A
—	125	S11JLD6	S11JLD62A
—	250	S13JLD6	S13JLD62A

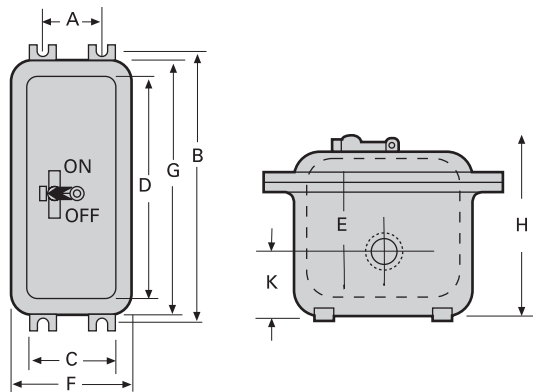


Figure 2

Auxiliary Switch Combinations

Maximum Voltage		1 Form C	2 Form C
AC	DC	Catalog Number	Catalog Number
480	250	A01JLD64	A02JLD64
-	12	A01JLDLV	A02JLDLV

Alarm Switch Combinations

Maximum Voltage		1 Alarm Switch	1 Alarm Switch and 1 Auxiliary Switch	1 Alarm Switch and 2 Auxiliary Switches
AC	DC	Catalog Number	Catalog Number	Catalog Number
480	250	B01JLD64	A01JLD64B	A02JLD64B

Undervoltage Trip Combinations

Control Voltage		1 Undervoltage Trip	1 Undervoltage Trip and 1 Auxiliary Switch	1 Undervoltage Trip and 2 Auxiliary Switches
AC	DC	Catalog Number	Catalog Number	Catalog Number
120	—	U01JLD6	U01JLD62A	U01JLD62AA
208	—	U02JLD6	U02JLD62A	U02JLD62AA
240	—	U03JLD6	U03JLD62A	U03JLD62AA
480	—	U06JLD6	U06JLD64A	U06JLD64AA
—	24	U13JLD6	U13JLD62A	U13JLD62AA
—	48	U14JLD6	U14JLD62A	U14JLD62AA
—	125	U10JLD6	U10JLD62A	U10JLD62AA
—	250	U12JLD6	U12JLD62A	U12JLD62AA

Enclosure

Fig. No.	Breaker Frame	Number of Poles	Maximum Current Rating	Catalog Number	Weight Lb./Ship. Package
2	SJD6, SHJD6	2-3	200-350 300-400	EC4 EE	85 93

Breaker Frame	Enclosure	Dimensions (inches)								Knockouts		
		Mounting		Inside			Outside			Conduit Size		
		A	B	C	D	E	F	G	H	K	Std.	Max.
SJD6, SHJD6	EC4	10 1/4	22 5/8	11 3/4	20	6 1/2	15 3/8	23 7/8	8 1/4	2 3/4	2 1/2	3
	EE	8 1/2	27 1/8	10 3/4	24 1/8	7 3/4	13 7/8	17 1/4	9 9/16	4	3	4

Siemens Industry, Inc.
5400 Triangle Parkway
Norcross, GA 30092

1-800-241-4453
info.us@siemens.com

Order No. CBDS-SJD79-1116 | Printed in USA |
© 2016, Siemens Industry, Inc.

usa.siemens.com/circuitbreakers

Subject to changes and errors. The information given in this document only contains general descriptions and/or performance features which may not always specifically reflect those described, or which may undergo modification in the course of further development of the products. The requested performance features are binding only when they are expressly agreed upon in the concluded contract.

Sentron Circuit Breaker Cut Sheets with Enclosure for SLD

Lugs For 75°C Wire

Catalog Number	Cables Per Lug	Wire Range
TA2J6500	1, 2	#3/0-500 kcmil Cu
	2	#4/0-500 kcmil Al
TC2J6500	2	#3/0-500 kcmil Cu
TA1L6750	1	500-750 kcmil Al
	1	500-600 kcmil Cu
TC1J6600	1	#3/0-600 kcmil Cu
Compression Lug		
CCL600	1	500 kcmil Cu/Al

Shunt Trip Combinations

Control Voltage		1 Shunt Trip	1 Shunt Trip and 1 Auxiliary Switch
AC	DC	Catalog Number	Catalog Number
24	—	S17JLD6	—
48	—	S18JLD6	—
120	—	S01JLD6	S01JLD62A
240	—	S03JLD6	S03JLD62A
277	—	S15JLD6	S15JLD64A
480	—	S04JLD6	—
—	12	S16JLD6	S16JLD62A
—	24	S07JLD6	S07JLD62A
—	48	S09JLD6	S09JLD62A
—	125	S11JLD6	S11JLD62A
—	250	S13JLD6	S13JLD62A

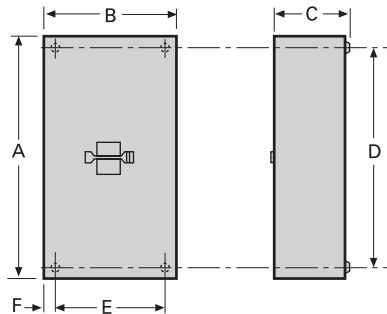


Figure 3

Auxiliary Switch Combinations

Maximum Voltage		1 Form C	2 Form C
AC	DC	Catalog Number	Catalog Number
480	250	A01JLD64	A02JLD64
—	12	A01JLDLV	A02JLDLV

Alarm Switch Combinations

Maximum Voltage		1 Alarm Switch	1 Alarm Switch and 1 Auxiliary Switch	1 Alarm Switch and 2 Auxiliary Switches
AC	DC	Catalog Number	Catalog Number	Catalog Number
480	250	B01JLD64	A01JLD64B	A02JLD64B

Undervoltage Trip Combinations

Control Voltage		1 Undervoltage Trip	1 Undervoltage Trip and 1 Auxiliary Switch	1 Undervoltage Trip and 2 Auxiliary Switches
AC	DC	Catalog Number	Catalog Number	Catalog Number
120	—	U01JLD6	U01JLD62A	U01JLD62AA
208	—	U02JLD6	U02JLD62A	U02JLD62AA
240	—	U03JLD6	U03JLD62A	U03JLD62AA
480	—	U06JLD6	U06JLD64A	U06JLD64AA
—	24	U13JLD6	U13JLD62A	U13JLD62AA
—	48	U14JLD6	U14JLD62A	U14JLD62AA
—	125	U10JLD6	U10JLD62A	U10JLD62AA
—	250	U12JLD6	U12JLD62A	U12JLD62AA

Enclosure

Fig. No.	Breaker Frame	Number of Poles	Maximum Current Rating	Catalog Number	Weight Lb./Ship. Package
3	SLD6, SHLD6, SCLD6	2-3	600	LD6N1	101

Breaker Frame	Dimensions (inches)					
	A	B	C	D	E	F
SLD6, SHLD6, SCLD6	46	22 ²⁷ / ₆₄	10 ⁴⁵ / ₆₄	42	18 ¹ / ₄	2 ⁵ / ₆₄

Siemens Industry, Inc.
5400 Triangle Parkway
Norcross, GA 30092

1-800-241-4453
info.us@siemens.com

Order No. CBDS-SLDN1-1116 | Printed in USA |
© 2016, Siemens Industry, Inc.

usa.siemens.com/circuitbreakers

Subject to changes and errors. The information given in this document only contains general descriptions and/or performance features which may not always specifically reflect those described, or which may undergo modification in the course of further development of the products. The requested performance features are binding only when they are expressly agreed upon in the concluded contract.

Lugs For 75°C Wire

Catalog Number	Cables Per Lug	Wire Range
TA2J6500	1, 2	#3/0-500 kcmil Cu
	2	#4/0-500 kcmil Al
TC2J6500	2	#3/0-500 kcmil Cu
TA1L6750	1	500-750 kcmil Al
	1	500-600 kcmil Cu
TC1J6600	1	#3/0-600 kcmil Cu
Compression Lug		
CCL600	1	500 kcmil Cu/Al

Shunt Trip Combinations

Control Voltage		1 Shunt Trip	1 Shunt Trip and 1 Auxiliary Switch
AC	DC	Catalog Number	Catalog Number
24	—	S17JLD6	—
48	—	S18JLD6	—
120	—	S01JLD6	S01JLD62A
240	—	S03JLD6	S03JLD62A
277	—	S15JLD6	S15JLD64A
480	—	S04JLD6	—
—	12	S16JLD6	S16JLD62A
—	24	S07JLD6	S07JLD62A
—	48	S09JLD6	S09JLD62A
—	125	S11JLD6	S11JLD62A
—	250	S13JLD6	S13JLD62A

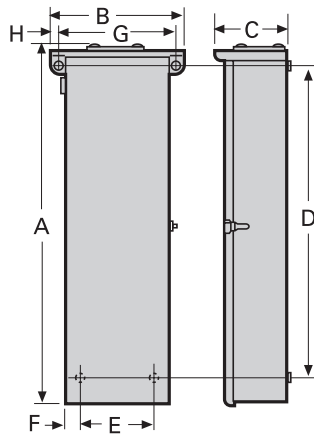


Figure 1

Auxiliary Switch Combinations

Maximum Voltage		1 Form C	2 Form C
AC	DC	Catalog Number	Catalog Number
480	250	A01JLD64	A02JLD64
—	12	A01JLDLV	A02JLDLV

Alarm Switch Combinations

Maximum Voltage		1 Alarm Switch	1 Alarm Switch and 1 Auxiliary Switch	1 Alarm Switch and 2 Auxiliary Switches
AC	DC	Catalog Number	Catalog Number	Catalog Number
480	250	B01JLD64	A01JLD64B	A02JLD64B

Undervoltage Trip Combinations

Control Voltage		1 Undervoltage Trip	1 Undervoltage Trip and 1 Auxiliary Switch	1 Undervoltage Trip and 2 Auxiliary Switches
AC	DC	Catalog Number	Catalog Number	Catalog Number
120	—	U01JLD6	U01JLD62A	U01JLD62AA
208	—	U02JLD6	U02JLD62A	U02JLD62AA
240	—	U03JLD6	U03JLD62A	U03JLD62AA
480	—	U06JLD6	U06JLD64A	U06JLD64AA
—	24	U13JLD6	U13JLD62A	U13JLD62AA
—	48	U14JLD6	U14JLD62A	U14JLD62AA
—	125	U10JLD6	U10JLD62A	U10JLD62AA
—	250	U12JLD6	U12JLD62A	U12JLD62AA

Enclosure

Fig. No.	Breaker Frame	Number of Poles	Maximum Current Rating	Catalog Number	Weight Lb./Ship. Package
1	SLD6, SHLD6	2-3	600	LD6N3R	137

Breaker Frame	Dimensions (inches)							
	A	B	C	D	E	F	G	H
SLD6, SHLD6	45 ⁶³ / ₆₄	26 ³ / ₄	11 ²³ / ₃₂	40 ³ / ₄	18 ¹ / ₄	2 ¹ / ₈	24 ¹ / ₂	1 ¹ / ₈

Siemens Industry, Inc.
5400 Triangle Parkway
Norcross, GA 30092

1-800-241-4453
info.us@siemens.com

Order No. CBDS-SLD3R-1116 | Printed in USA |
© 2016, Siemens Industry, Inc.

usa.siemens.com/circuitbreakers

Subject to changes and errors. The information given in this document only contains general descriptions and/or performance features which may not always specifically reflect those described, or which may undergo modification in the course of further development of the products. The requested performance features are binding only when they are expressly agreed upon in the concluded contract.

Lugs For 75°C Wire

Catalog Number	Cables Per Lug	Wire Range
TA2J6500	1, 2	#3/0-500 kcmil Cu
	2	#4/0-500 kcmil Al
TC2J6500	2	#3/0-500 kcmil Cu
TA1L6750	1	500-750 kcmil Al
	1	500-600 kcmil Cu
TC1J6600	1	#3/0-600 kcmil Cu
Compression Lug		
CCL600	1	500 kcmil Cu/Al

Shunt Trip Combinations

Control Voltage		1 Shunt Trip	1 Shunt Trip and 1 Auxiliary Switch
AC	DC	Catalog Number	Catalog Number
24	—	S17JLD6	—
48	—	S18JLD6	—
120	—	S01JLD6	S01JLD62A
240	—	S03JLD6	S03JLD62A
277	—	S15JLD6	S15JLD64A
480	—	S04JLD6	—
—	12	S16JLD6	S16JLD62A
—	24	S07JLD6	S07JLD62A
—	48	S09JLD6	S09JLD62A
—	125	S11JLD6	S11JLD62A
—	250	S13JLD6	S13JLD62A

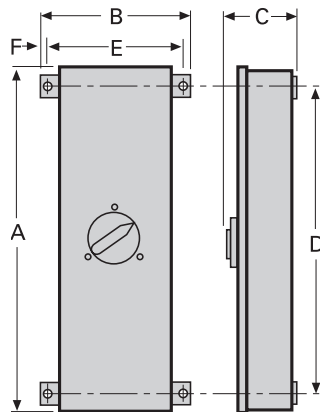


Figure 3

Auxiliary Switch Combinations

Maximum Voltage		1 Form C	2 Form C
AC	DC	Catalog Number	Catalog Number
480	250	A01JLD64	A02JLD64
—	12	A01JLDLV	A02JLDLV

Alarm Switch Combinations

Maximum Voltage		1 Alarm Switch	1 Alarm Switch and 1 Auxiliary Switch	1 Alarm Switch and 2 Auxiliary Switches
AC	DC	Catalog Number	Catalog Number	Catalog Number
480	250	B01JLD64	A01JLD64B	A02JLD64B

Undervoltage Trip Combinations

Control Voltage		1 Undervoltage Trip	1 Undervoltage Trip and 1 Auxiliary Switch	1 Undervoltage Trip and 2 Auxiliary Switches
AC	DC	Catalog Number	Catalog Number	Catalog Number
120	—	U01JLD6	U01JLD62A	U01JLD62AA
208	—	U02JLD6	U02JLD62A	U02JLD62AA
240	—	U03JLD6	U03JLD62A	U03JLD62AA
480	—	U06JLD6	U06JLD64A	U06JLD64AA
—	24	U13JLD6	U13JLD62A	U13JLD62AA
—	48	U14JLD6	U14JLD62A	U14JLD62AA
—	125	U10JLD6	U10JLD62A	U10JLD62AA
—	250	U12JLD6	U12JLD62A	U12JLD62AA

Enclosure

Fig. No.	Breaker Frame	Number of Poles	Maximum Current Rating	Catalog Number	Weight Lb./Ship. Package
3	SLD6, SHLD6, SCLD6	2-3	600	LD6N12	104

Breaker Frame	Dimensions (inches)					
	A	B	C	D	E	F
SLD6, SHLD6, SCLD6	46 1/2	21 5/8	11 7/8	42 5/32	20 3/8	5/8

Siemens Industry, Inc.
5400 Triangle Parkway
Norcross, GA 30092

1-800-241-4453
info.us@siemens.com

Order No. CBDS-SLD12-1116 | Printed in USA |
© 2016, Siemens Industry, Inc.

usa.siemens.com/circuitbreakers

Subject to changes and errors. The information given in this document only contains general descriptions and/or performance features which may not always specifically reflect those described, or which may undergo modification in the course of further development of the products. The requested performance features are binding only when they are expressly agreed upon in the concluded contract.

Lugs For 75°C Wire

Catalog Number	Cables Per Lug	Wire Range
TA2J6500	1, 2	#3/0-500 kcmil Cu
	2	#4/0-500 kcmil Al
TC2J6500	2	#3/0-500 kcmil Cu
TA1L6750	1	500-750 kcmil Al
	1	500-600 kcmil Cu
TC1J6600	1	#3/0-600 kcmil Cu
Compression Lug		
CCL600	1	500 kcmil Cu/Al

Shunt Trip Combinations

Control Voltage		1 Shunt Trip	1 Shunt Trip and 1 Auxiliary Switch
AC	DC	Catalog Number	Catalog Number
24	—	S17JLD6	—
48	—	S18JLD6	—
120	—	S01JLD6	S01JLD62A
240	—	S03JLD6	S03JLD62A
277	—	S15JLD6	S15JLD64A
480	—	S04JLD6	—
—	12	S16JLD6	S16JLD62A
—	24	S07JLD6	S07JLD62A
—	48	S09JLD6	S09JLD62A
—	125	S11JLD6	S11JLD62A
—	250	S13JLD6	S13JLD62A

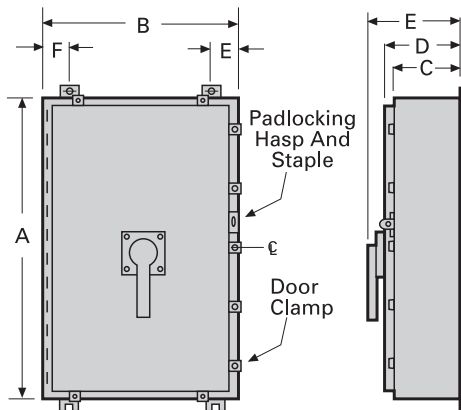


Figure 1A

Auxiliary Switch Combinations

Maximum Voltage		1 Form C	2 Form C
AC	DC	Catalog Number	Catalog Number
480	250	A01JLD64	A02JLD64
—	12	A01JLDLV	A02JLDLV

Alarm Switch Combinations

Maximum Voltage		1 Alarm Switch	1 Alarm Switch and 1 Auxiliary Switch	1 Alarm Switch and 2 Auxiliary Switches
AC	DC	Catalog Number	Catalog Number	Catalog Number
480	250	B01JLD64	A01JLD64B	A02JLD64B

Undervoltage Trip Combinations

Control Voltage		1 Undervoltage Trip	1 Undervoltage Trip and 1 Auxiliary Switch	1 Undervoltage Trip and 2 Auxiliary Switches
AC	DC	Catalog Number	Catalog Number	Catalog Number
120	—	U01JLD6	U01JLD62A	U01JLD62AA
208	—	U02JLD6	U02JLD62A	U02JLD62AA
240	—	U03JLD6	U03JLD62A	U03JLD62AA
480	—	U06JLD6	U06JLD64A	U06JLD64AA
—	24	U13JLD6	U13JLD62A	U13JLD62AA
—	48	U14JLD6	U14JLD62A	U14JLD62AA
—	125	U10JLD6	U10JLD62A	U10JLD62AA
—	250	U12JLD6	U12JLD62A	U12JLD62AA

Enclosure

Fig. No.	Breaker Frame	Number of Poles	Maximum Current Rating	Catalog Number	Weight Lb./Ship. Package
1A	SLD6, SHLD6	2-3	600	LD6SS4	145

Breaker Frame	Dimensions (inches)					
	A	B	C	D	E	F
SLD6, SHLD6	42	30	10	11 5/32	13 3/4	3

Siemens Industry, Inc.
5400 Triangle Parkway
Norcross, GA 30092

1-800-241-4453
info.us@siemens.com

Order No. CBDS-SLD4X-1116 | Printed in USA |
© 2016, Siemens Industry, Inc.

usa.siemens.com/circuitbreakers

Subject to changes and errors. The information given in this document only contains general descriptions and/or performance features which may not always specifically reflect those described, or which may undergo modification in the course of further development of the products. The requested performance features are binding only when they are expressly agreed upon in the concluded contract.

Lugs For 75°C Wire

Catalog Number	Cables Per Lug	Wire Range
TA2J6500	1, 2	#3/0-500 kcmil Cu
	2	#4/0-500 kcmil Al
TC2J6500	2	#3/0-500 kcmil Cu
TA1L6750	1	500-750 kcmil Al
	1	500-600 kcmil Cu
TC1J6600	1	#3/0-600 kcmil Cu
Compression Lug		
CCL600	1	500 kcmil Cu/Al

Shunt Trip Combinations

Control Voltage		1 Shunt Trip	1 Shunt Trip and 1 Auxiliary Switch
AC	DC	Catalog Number	Catalog Number
24	—	S17JLD6	—
48	—	S18JLD6	—
120	—	S01JLD6	S01JLD62A
240	—	S03JLD6	S03JLD62A
277	—	S15JLD6	S15JLD64A
480	—	S04JLD6	—
—	12	S16JLD6	S16JLD62A
—	24	S07JLD6	S07JLD62A
—	48	S09JLD6	S09JLD62A
—	125	S11JLD6	S11JLD62A
—	250	S13JLD6	S13JLD62A

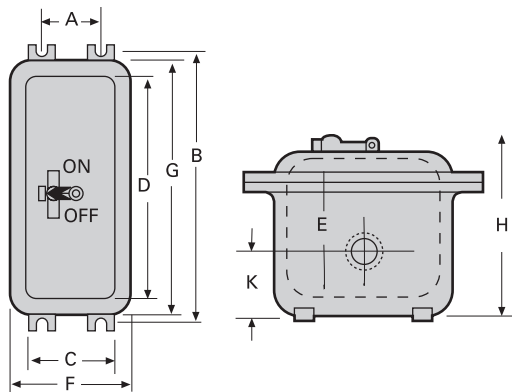


Figure 2

Auxiliary Switch Combinations

Maximum Voltage		1 Form C	2 Form C
AC	DC	Catalog Number	Catalog Number
480	250	A01JLD64	A02JLD64
—	12	A01JLDLV	A02JLDLV

Alarm Switch Combinations

Maximum Voltage		1 Alarm Switch	1 Alarm Switch and 1 Auxiliary Switch	1 Alarm Switch and 2 Auxiliary Switches
AC	DC	Catalog Number	Catalog Number	Catalog Number
480	250	B01JLD64	A01JLD64B	A02JLD64B

Undervoltage Trip Combinations

Control Voltage		1 Undervoltage Trip	1 Undervoltage Trip and 1 Auxiliary Switch	1 Undervoltage Trip and 2 Auxiliary Switches
AC	DC	Catalog Number	Catalog Number	Catalog Number
120	—	U01JLD6	U01JLD62A	U01JLD62AA
208	—	U02JLD6	U02JLD62A	U02JLD62AA
240	—	U03JLD6	U03JLD62A	U03JLD62AA
480	—	U06JLD6	U06JLD64A	U06JLD64AA
—	24	U13JLD6	U13JLD62A	U13JLD62AA
—	48	U14JLD6	U14JLD62A	U14JLD62AA
—	125	U10JLD6	U10JLD62A	U10JLD62AA
—	250	U12JLD6	U12JLD62A	U12JLD62AA

Enclosure

Fig. No.	Breaker Frame	Number of Poles	Maximum Current Rating	Catalog Number	Weight Lb./Ship. Package
2	SLD6, SHLD6	2-3	600	ED6	190

Breaker Frame	Dimensions (inches)									Knockouts	
	Mounting		Inside			Outside				Conduit Size	
	A	B	C	D	E	F	G	H	K	Std.	Max.
SLD6, SHLD6	11 7/8	40 3/4	13 3/8	37 7/8	7 7/8	18 1/8	42 5/8	9 7/8	3 5/8	4	4

Siemens Industry, Inc.
5400 Triangle Parkway
Norcross, GA 30092

1-800-241-4453
info.us@siemens.com

Order No. CBDS-SLD79-1116 | Printed in USA |
© 2016, Siemens Industry, Inc.

usa.siemens.com/circuitbreakers

Subject to changes and errors. The information given in this document only contains general descriptions and/or performance features which may not always specifically reflect those described, or which may undergo modification in the course of further development of the products. The requested performance features are binding only when they are expressly agreed upon in the concluded contract.

Sentron Circuit Breaker Cut Sheets with Enclosure for SMD

Lugs For 75°C Wire

Catalog Number	Cables Per Lug	Wire Range
TA2K500	2	#1-500 kcmil Cu/Al
TA3K500	3	#1-500 kcmil Cu/Al
TC2K500	2	#1-500 kcmil Cu
TC3K350	3	#1-350 kcmil Cu
Kits (3 lugs/kit)		
3TA4N8500	4	250-500 kcmil Cu/Al
3TA4P8500	4	250-500 kcmil Cu/Al
3TA2N8750	2	500-750 kcmil Cu/Al
3TA3N8750	3	500-750 kcmil Cu/Al

Shunt Trip Combinations

Control Voltage		1 Shunt Trip	1 Shunt Trip and 1 Auxiliary Switch
AC	DC	Catalog Number	Catalog Number
120	—	S01MN6	S01MN64A
208	—	S02MN6	—
240	—	S03MN6	S03MN64A
277	—	S15MN6	S15MN64A
480	—	S04MN6	S04MN64A
600	—	S06MN6	—
—	12	S16MN6	S16MN64A
—	24	S07MN6	S07MN64A
—	48	S09MN6	—
—	125	S11MN6	S11MN64A
—	250	S13MN6	S13MN64A

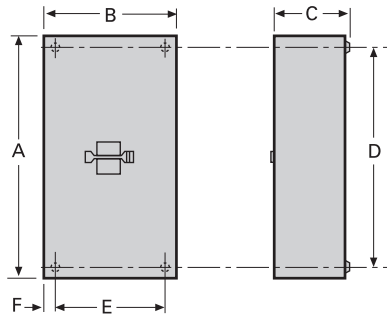


Figure 3

Auxiliary Switch Combinations

Maximum Voltage		1 Form C	2 Form C
AC	DC	Catalog Number	Catalog Number
480	250	A01MN64	A02MN64
—	12	A01MNDLV	A02MNDLV

Alarm Switch Combinations

Maximum Voltage		1 Alarm Switch	1 Alarm Switch and 1 Auxiliary Switch	1 Alarm Switch and 2 Auxiliary Switches
AC	DC	Catalog Number	Catalog Number	Catalog Number
480	250	B00MN64	A01MN64B	A02MN64B

Undervoltage Trip Combinations

Control Voltage		1 Undervoltage Trip	1 Undervoltage Trip and 1 Auxiliary Switch	1 Undervoltage Trip and 2 Auxiliary Switches
AC	DC	Catalog Number	Catalog Number	Catalog Number
120	—	U01MN6	U01MN64A	U01MN64AA
208	—	U02MN6	U02MN64A	U02MN64AA
240	—	U03MN6	U03MN64A	U03MN64AA
277	—	U15MN6	U15MN64A	U15MN64AA
480	—	U04MN6	U04MN64A	U04MN64AA
600	—	U06MN6	—	—
—	24	U07MN6	U07MN64A	U07MN64AA
—	48	U09MN6	U09MN64A	U09MN64AA
—	125	U11MN6	U11MN64A	U11MN64AA
—	250	U13MN6	U13MN64A	U13MN64AA

Enclosure

Fig. No.	Breaker Frame	Number of Poles	Maximum Current Rating	Catalog Number	Weight Lb./Ship. Package
3	SMD6, SHMD6, SCMD6	2-3	1200	MND61	202

Breaker Frame	Dimensions (inches)					
	A	B	C	D	E	F
SMD6, SHMD6, SCMD6	60	22 ²⁷ / ₆₄	10	55 ⁷ / ₈	18 ¹ / ₄	2 ⁵ / ₆₄

Siemens Industry, Inc.
5400 Triangle Parkway
Norcross, GA 30092

1-800-241-4453
info.us@siemens.com

Order No. CBDS-SMDN1-1116 | Printed in USA |
© 2016, Siemens Industry, Inc.

usa.siemens.com/circuitbreakers

Subject to changes and errors. The information given in this document only contains general descriptions and/or performance features which may not always specifically reflect those described, or which may undergo modification in the course of further development of the products. The requested performance features are binding only when they are expressly agreed upon in the concluded contract.

Lugs For 75°C Wire

Catalog Number	Cables Per Lug	Wire Range
TA2K500	2	#1-500 kcmil Cu/Al
TA3K500	3	#1-500 kcmil Cu/Al
TC2K500	2	#1-500 kcmil Cu
TC3K350	3	#1-350 kcmil Cu
Kits (3 lugs/kit)		
3TA4N8500	4	250-500 kcmil Cu/Al
3TA4P8500	4	250-500 kcmil Cu/Al
3TA2N8750	2	500-750 kcmil Cu/Al
3TA3N8750	3	500-750 kcmil Cu/Al

Shunt Trip Combinations

Control Voltage		1 Shunt Trip	1 Shunt Trip and 1 Auxiliary Switch
AC	DC	Catalog Number	Catalog Number
120	—	S01MN6	S01MN64A
208	—	S02MN6	—
240	—	S03MN6	S03MN64A
277	—	S15MN6	S15MN64A
480	—	S04MN6	S04MN64A
600	—	S06MN6	—
—	12	S16MN6	S16MN64A
—	24	S07MN6	S07MN64A
—	48	S09MN6	—
—	125	S11MN6	S11MN64A
—	250	S13MN6	S13MN64A

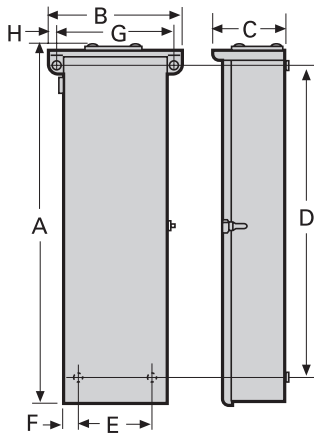


Figure 1

Auxiliary Switch Combinations

Maximum Voltage		1 Form C	2 Form C
AC	DC	Catalog Number	Catalog Number
480	250	A01MN64	A02MN64
—	12	A01MNDLV	A02MNDLV

Alarm Switch Combinations

Maximum Voltage		1 Alarm Switch	1 Alarm Switch and 1 Auxiliary Switch	1 Alarm Switch and 2 Auxiliary Switches
AC	DC	Catalog Number	Catalog Number	Catalog Number
480	250	B00MN64	A01MN64B	A02MN64B

Undervoltage Trip Combinations

Control Voltage		1 Undervoltage Trip	1 Undervoltage Trip and 1 Auxiliary Switch	1 Undervoltage Trip and 2 Auxiliary Switches
AC	DC	Catalog Number	Catalog Number	Catalog Number
120	—	U01MN6	U01MN64A	U01MN64AA
208	—	U02MN6	U02MN64A	U02MN64AA
240	—	U03MN6	U03MN64A	U03MN64AA
277	—	U15MN6	U15MN64A	U15MN64AA
480	—	U04MN6	U04MN64A	U04MN64AA
600	—	U06MN6	—	—
—	24	U07MN6	U07MN64A	U07MN64AA
—	48	U09MN6	U09MN64A	U09MN64AA
—	125	U11MN6	U11MN64A	U11MN64AA
—	250	U13MN6	U13MN64A	U13MN64AA

Enclosure

Fig. No.	Breaker Frame	Number of Poles	Maximum Current Rating	Catalog Number	Weight Lb./Ship. Package
1	SMD6, SHMD6, SCMD6	2-3	1200	MND63	210

Breaker Frame	Dimensions (inches)							
	A	B	C	D	E	F	G	H
SMD6, SHMD6, SCMD6	61 ⁹ / ₆₄	26 ³ / ₄	11 ²³ / ₃₂	57 ¹⁷ / ₃₂	18 ¹ / ₄	2 ¹ / ₈	24 ⁵ / ₈	1 ¹ / ₁₆

Siemens Industry, Inc.
5400 Triangle Parkway
Norcross, GA 30092

1-800-241-4453
info.us@siemens.com

Order No. CBDS-SMD3R-1116 | Printed in USA |
© 2016, Siemens Industry, Inc.

usa.siemens.com/circuitbreakers

Subject to changes and errors. The information given in this document only contains general descriptions and/or performance features which may not always specifically reflect those described, or which may undergo modification in the course of further development of the products. The requested performance features are binding only when they are expressly agreed upon in the concluded contract.

Lugs For 75°C Wire

Catalog Number	Cables Per Lug	Wire Range
TA2K500	2	#1-500 kcmil Cu/Al
TA3K500	3	#1-500 kcmil Cu/Al
TC2K500	2	#1-500 kcmil Cu
TC3K350	3	#1-350 kcmil Cu
Kits (3 lugs/kit)		
3TA4N8500	4	250-500 kcmil Cu/Al
3TA4P8500	4	250-500 kcmil Cu/Al
3TA2N8750	2	500-750 kcmil Cu/Al
3TA3N8750	3	500-750 kcmil Cu/Al

Shunt Trip Combinations

Control Voltage		1 Shunt Trip	1 Shunt Trip and 1 Auxiliary Switch
AC	DC	Catalog Number	Catalog Number
120	—	S01MN6	S01MN64A
208	—	S02MN6	—
240	—	S03MN6	S03MN64A
277	—	S15MN6	S15MN64A
480	—	S04MN6	S04MN64A
600	—	S06MN6	—
—	12	S16MN6	S16MN64A
—	24	S07MN6	S07MN64A
—	48	S09MN6	—
—	125	S11MN6	S11MN64A
—	250	S13MN6	S13MN64A

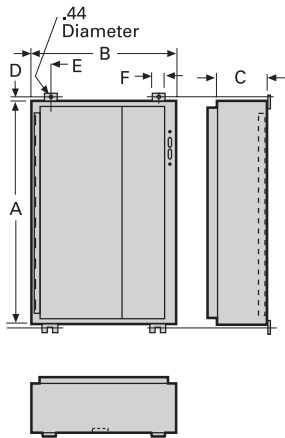


Figure 4

Auxiliary Switch Combinations

Maximum Voltage		1 Form C	2 Form C
AC	DC	Catalog Number	Catalog Number
480	250	A01MN64	A02MN64
—	12	A01MNDLV	A02MNDLV

Alarm Switch Combinations

Maximum Voltage		1 Alarm Switch	1 Alarm Switch and 1 Auxiliary Switch	1 Alarm Switch and 2 Auxiliary Switches
AC	DC	Catalog Number	Catalog Number	Catalog Number
480	250	B00MN64	A01MN64B	A02MN64B

Undervoltage Trip Combinations

Control Voltage		1 Undervoltage Trip	1 Undervoltage Trip and 1 Auxiliary Switch	1 Undervoltage Trip and 2 Auxiliary Switches
AC	DC	Catalog Number	Catalog Number	Catalog Number
120	—	U01MN6	U01MN64A	U01MN64AA
208	—	U02MN6	U02MN64A	U02MN64AA
240	—	U03MN6	U03MN64A	U03MN64AA
277	—	U15MN6	U15MN64A	U15MN64AA
480	—	U04MN6	U04MN64A	U04MN64AA
600	—	U06MN6	—	—
—	24	U07MN6	U07MN64A	U07MN64AA
—	48	U09MN6	U09MN64A	U09MN64AA
—	125	U11MN6	U11MN64A	U11MN64AA
—	250	U13MN6	U13MN64A	U13MN64AA

Enclosure

Fig. No.	Breaker Frame	Number of Poles	Maximum Current Rating	Catalog Number	Weight Lb./Ship. Package
4	SMD6, SHMD6, SCMD6	2-3	1200	MND612	220

Breaker Frame	Dimensions (inches)					
	A	B	C	D	E	F
SMD6, SHMD6, SCMD6	60	37 3/8	10	5/8	3	2

Siemens Industry, Inc.
5400 Triangle Parkway
Norcross, GA 30092

1-800-241-4453
info.us@siemens.com

Order No. CBDS-SMD12-1116 | Printed in USA |
© 2016, Siemens Industry, Inc.

usa.siemens.com/circuitbreakers

Subject to changes and errors. The information given in this document only contains general descriptions and/or performance features which may not always specifically reflect those described, or which may undergo modification in the course of further development of the products. The requested performance features are binding only when they are expressly agreed upon in the concluded contract.

Sentron Circuit Breaker Cut Sheets with Enclosure for SND

Lugs For 75°C Wire

Catalog Number	Cables Per Lug	Wire Range
TA2K500	2	#1-500 kcmil Cu/Al
TA3K500	3	#1-500 kcmil Cu/Al
TC2K500	2	#1-500 kcmil Cu
TC3K350	3	#1-350 kcmil Cu
Kits (2 Kits required per breaker)		
2TA4P8500 3TA4P8500	4	250-500 kcmil Cu/Al
2TA4N8500 3TA4N8500	4	250-500 kcmil Cu/Al
2TA2N8750 3TA2N8750	2	500-750 kcmil Cu/Al
2TA3N8750 3TA3N8750	3	500-750 kcmil Cu/Al

Shunt Trip Combinations

Control Voltage		1 Shunt Trip	1 Shunt Trip and 1 Auxiliary Switch
AC	DC	Catalog Number	Catalog Number
120	—	S01MN6	S01MN64A
208	—	S02MN6	—
240	—	S03MN6	S03MN64A
277	—	S15MN6	S15MN64A
480	—	S04MN6	S04MN64A
600	—	S06MN6	—
—	12	S16MN6	S16MN64A
—	24	S07MN6	S07MN64A
—	48	S09MN6	—
—	125	S11MN6	S11MN64A
—	250	S13MN6	S13MN64A

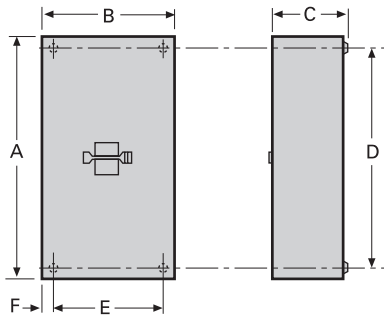


Figure 3

Auxiliary Switch Combinations

Maximum Voltage		1 Form C	2 Form C
AC	DC	Catalog Number	Catalog Number
480	250	A01MN64	A02MN64
—	12	A01MNDLV	A02MNDLV

Alarm Switch Combinations

Maximum Voltage		1 Alarm Switch	1 Alarm Switch and 1 Auxiliary Switch	1 Alarm Switch and 2 Auxiliary Switches
AC	DC	Catalog Number	Catalog Number	Catalog Number
480	250	B00MN64	A01MN64B	A02MN64B

Undervoltage Trip Combinations

Control Voltage		1 Undervoltage Trip	1 Undervoltage Trip and 1 Auxiliary Switch	1 Undervoltage Trip and 2 Auxiliary Switches
AC	DC	Catalog Number	Catalog Number	Catalog Number
120	—	U01MN6	U01MN64A	U01MN64AA
208	—	U02MN6	U02MN64A	U02MN64AA
240	—	U03MN6	U03MN64A	U03MN64AA
277	—	U15MN6	U15MN64A	U15MN64AA
480	—	U04MN6	U04MN64A	U04MN64AA
600	—	U06MN6	—	—
—	24	U07MN6	U07MN64A	U07MN64AA
—	48	U09MN6	U09MN64A	U09MN64AA
—	125	U11MN6	U11MN64A	U11MN64AA
—	250	U13MN6	U13MN64A	U13MN64AA

Enclosure

Fig. No.	Breaker Frame	Number of Poles	Maximum Current Rating	Catalog Number	Weight Lb./Ship. Package
3	SND6, SHND6, SCND6	2-3	1200	MND61	202

Breaker Frame	Dimensions (inches)					
	A	B	C	D	E	F
SND6, SHND6, SCND6	60	22 ²⁷ / ₆₄	10	55 ⁷ / ₈	18 ¹ / ₄	2 ⁵ / ₆₄

Siemens Industry, Inc.
5400 Triangle Parkway
Norcross, GA 30092

1-800-241-4453
info.us@siemens.com

Order No. CBDS-SNDN1-1116 | Printed in USA |
© 2016, Siemens Industry, Inc.

usa.siemens.com/circuitbreakers

Subject to changes and errors. The information given in this document only contains general descriptions and/or performance features which may not always specifically reflect those described, or which may undergo modification in the course of further development of the products. The requested performance features are binding only when they are expressly agreed upon in the concluded contract.

Lugs For 75°C Wire

Catalog Number	Cables Per Lug	Wire Range
TA2K500	2	#1-500 kcmil Cu/Al
TA3K500	3	#1-500 kcmil Cu/Al
TC2K500	2	#1-500 kcmil Cu
TC3K350	3	#1-350 kcmil Cu
Kits (2 Kits required per breaker)		
2TA4P8500 3TA4P8500	4	250-500 kcmil Cu/Al
2TA4N8500 3TA4N8500	4	250-500 kcmil Cu/Al
2TA2N8750 3TA2N8750	2	500-750 kcmil Cu/Al
2TA3N8750 3TA3N8750	3	500-750 kcmil Cu/Al

Shunt Trip Combinations

Control Voltage		1 Shunt Trip		1 Shunt Trip and 1 Auxiliary Switch	
AC	DC	Catalog Number	Catalog Number	Catalog Number	Catalog Number
120	—	S01MN6	S01MN64A	S01MN6	S01MN64A
208	—	S02MN6	—	S02MN6	—
240	—	S03MN6	S03MN64A	S03MN6	S03MN64A
277	—	S15MN6	S15MN64A	S15MN6	S15MN64A
480	—	S04MN6	S04MN64A	S04MN6	S04MN64A
600	—	S06MN6	—	S06MN6	—
—	12	S16MN6	S16MN64A	S16MN6	S16MN64A
—	24	S07MN6	S07MN64A	S07MN6	S07MN64A
—	48	S09MN6	—	S09MN6	—
—	125	S11MN6	S11MN64A	S11MN6	S11MN64A
—	250	S13MN6	S13MN64A	S13MN6	S13MN64A

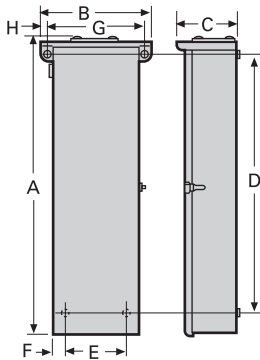


Figure 1

Auxiliary Switch Combinations

Maximum Voltage		1 Form C	2 Form C
AC	DC	Catalog Number	Catalog Number
480	250	A01MN64	A02MN64
—	12	A01MNDLV	A02MNDLV

Alarm Switch Combinations

Maximum Voltage		1 Alarm Switch	1 Alarm Switch and 1 Auxiliary Switch	1 Alarm Switch and 2 Auxiliary Switches
AC	DC	Catalog Number	Catalog Number	Catalog Number
480	250	B00MN64	A01MN64B	A02MN64B

Undervoltage Trip Combinations

Control Voltage		1 Undervoltage Trip	1 Undervoltage Trip and 1 Auxiliary Switch	1 Undervoltage Trip and 2 Auxiliary Switches
AC	DC	Catalog Number	Catalog Number	Catalog Number
120	—	U01MN6	U01MN64A	U01MN64AA
208	—	U02MN6	U02MN64A	U02MN64AA
240	—	U03MN6	U03MN64A	U03MN64AA
277	—	U15MN6	U15MN64A	U15MN64AA
480	—	U04MN6	U04MN64A	U04MN64AA
600	—	U06MN6	—	—
—	24	U07MN6	U07MN64A	U07MN64AA
—	48	U09MN6	U09MN64A	U09MN64AA
—	125	U11MN6	U11MN64A	U11MN64AA
—	250	U13MN6	U13MN64A	U13MN64AA

Enclosure

Fig. No.	Breaker Frame	Number of Poles	Maximum Current Rating	Catalog Number	Weight Lb./Ship. Package
1	SND6, SHND6, SCND6	2-3	1200	MND63	210

Breaker Frame	Dimensions (inches)							
	A	B	C	D	E	F	G	H
SND6, SHND6, SCND6	61 ⁹ / ₆₄	26 ³ / ₄	11 ²³ / ₃₂	57 ¹⁷ / ₃₂	18 ¹ / ₄	2 ¹ / ₈	24 ⁵ / ₈	1 ¹ / ₁₆

Siemens Industry, Inc.
5400 Triangle Parkway
Norcross, GA 30092

1-800-241-4453
info.us@siemens.com

Order No. CBDS-SND3R-1116 | Printed in USA |
© 2016, Siemens Industry, Inc.

usa.siemens.com/circuitbreakers

Subject to changes and errors. The information given in this document only contains general descriptions and/or performance features which may not always specifically reflect those described, or which may undergo modification in the course of further development of the products. The requested performance features are binding only when they are expressly agreed upon in the concluded contract.

Lugs For 75°C Wire

Catalog Number	Cables Per Lug	Wire Range
TA2K500	2	#1-500 kcmil Cu/Al
TA3K500	3	#1-500 kcmil Cu/Al
TC2K500	2	#1-500 kcmil Cu
TC3K350	3	#1-350 kcmil Cu
Kits (2 Kits required per breaker)		
2TA4P8500 3TA4P8500	4	250-500 kcmil Cu/Al
2TA4N8500 3TA4N8500	4	250-500 kcmil Cu/Al
2TA2N8750 3TA2N8750	2	500-750 kcmil Cu/Al
2TA3N8750 3TA3N8750	3	500-750 kcmil Cu/Al

Shunt Trip Combinations

Control Voltage		1 Shunt Trip	1 Shunt Trip and 1 Auxiliary Switch
AC	DC	Catalog Number	Catalog Number
120	—	S01MN6	S01MN64A
208	—	S02MN6	—
240	—	S03MN6	S03MN64A
277	—	S15MN6	S15MN64A
480	—	S04MN6	S04MN64A
600	—	S06MN6	—
—	12	S16MN6	S16MN64A
—	24	S07MN6	S07MN64A
—	48	S09MN6	—
—	125	S11MN6	S11MN64A
—	250	S13MN6	S13MN64A

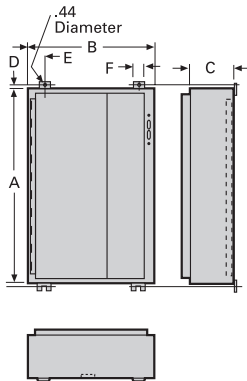


Figure 4

Auxiliary Switch Combinations

Maximum Voltage		1 Form C	2 Form C
AC	DC	Catalog Number	Catalog Number
480	250	A01MN64	A02MN64
—	12	A01MNDLV	A02MNDLV

Alarm Switch Combinations

Maximum Voltage		1 Alarm Switch	1 Alarm Switch and 1 Auxiliary Switch	1 Alarm Switch and 2 Auxiliary Switches
AC	DC	Catalog Number	Catalog Number	Catalog Number
480	250	B00MN64	A01MN64B	A02MN64B

Undervoltage Trip Combinations

Control Voltage		1 Undervoltage Trip	1 Undervoltage Trip and 1 Auxiliary Switch	1 Undervoltage Trip and 2 Auxiliary Switches
AC	DC	Catalog Number	Catalog Number	Catalog Number
120	—	U01MN6	U01MN64A	U01MN64AA
208	—	U02MN6	U02MN64A	U02MN64AA
240	—	U03MN6	U03MN64A	U03MN64AA
277	—	U15MN6	U15MN64A	U15MN64AA
480	—	U04MN6	U04MN64A	U04MN64AA
600	—	U06MN6	—	—
—	24	U07MN6	U07MN64A	U07MN64AA
—	48	U09MN6	U09MN64A	U09MN64AA
—	125	U11MN6	U11MN64A	U11MN64AA
—	250	U13MN6	U13MN64A	U13MN64AA

Enclosure

Fig. No.	Breaker Frame	Number of Poles	Maximum Current Rating	Catalog Number	Weight Lb./Ship. Package
4	SND6, SHND6, SCND6	2-3	1200	MND612	220

Breaker Frame	Dimensions (inches)					
	A	B	C	D	E	F
SND6, SHND6, SCND6	60	37 3/8	10	5/8	3	2

Siemens Industry, Inc.
5400 Triangle Parkway
Norcross, GA 30092

1-800-241-4453
info.us@siemens.com

Order No. CBDS-SND12-1116 | Printed in USA |
© 2016, Siemens Industry, Inc.

usa.siemens.com/circuitbreakers

Subject to changes and errors. The information given in this document only contains general descriptions and/or performance features which may not always specifically reflect those described, or which may undergo modification in the course of further development of the products. The requested performance features are binding only when they are expressly agreed upon in the concluded contract.