

# Product data sheet

Specifications



## Operator dialogue terminal, Harmony iPC, Box PC Universal, Hard Disk, DC, 2 slots, fanless

HMIBUHND2P01

⚠ Discontinued on: Jun 30, 2016

⚠ End-of-service on: Dec 31, 2020

⚠ Discontinued

### Main

Range of Product	Harmony iPC
Product or Component Type	Operator dialogue terminal
Device short name	BOX PC Universal
Range Compatibility	Harmony iDisplay
Compatibility code	BOX PC Universal
Processor name	Atom N270 1.66 GHz cache 512 KB
Chipset type	Intel 945GME
Video controller type	Mobile Intel Graphics Media Accelerator (GMA) 4500MHD, 224 Mb
Operating system	MS Windows XP Professional Edition SP3multi-language
Software package	Vijeo Designer run time demo

### Complementary

Data storage equipment	500 GB enterprise hard disk
Port Ethernet	10BASE-T/100BASE-T/1000BASE-T
Memory description	2 GB RAM DDR2 internal not expandable) SDRAM saved memory
Number of slots	1 slot(s) for PCI 1 slot(s) for PCI express 4x
Type of cooling	Fanless
Integrated connection type	Ethernet TCP/IP 2 RJ45 DVI-I video port DVI-I COM1 serial link male SUB-D 9 RS232C 115 kbauds COM2 serial link male SUB-D 9 RS232C 115 kbauds DVI-I video port (optional) DVI-I COM3 serial link (optional) male SUB-D 10 RS232/422/485 115 kbauds USB 2.0 port USB type A 480 Mbit/s front panel USB 2.0 port 4 USB type A 480 Mbit/s top panel
[Us] rated supply voltage	24 V DC power supply
Supply voltage limits	18...30 V
Line Rated Current	6 A
Inrush current	7 A
Control type	ON/OFF push-button equipment ON and OFF) Push-button reset)
Main type	Universal

Price is "List Price" and may be subject to a trade discount – check with your local distributor or retailer for actual price.

<b>Height</b>	10.6 in (270 mm)
<b>Width</b>	10.2 in (260 mm)
<b>Net Weight</b>	6.2 lb(US) (2.8 kg)

## Environment

<b>Standards</b>	CSA C22.2 No 142 ANSI/ISA 12-12-01 UL 1604 UL 508 Class I division 2 CSA C22.2 No 213
<b>Product certifications</b>	CE CULus ATEX zone 22 dust C-tick GOST
<b>Pollution degree</b>	2 EN 61131-2 Ed.3
<b>Electromagnetic compatibility</b>	Immunity to high frequency interference conforming to EN 61131-2 Ed.3
<b>Ambient air temperature for storage</b>	-4...140 °F (-20...60 °C) IEC 60068-2-2 test Ab -4...140 °F (-20...60 °C) IEC 60068-2-2 test Bb -4...140 °F (-20...60 °C) IEC 60068-2-14 test Na
<b>Relative Humidity</b>	10...85 % IEC 60068-2-30 test Db
<b>Ambient air temperature for operation</b>	32...122 °F (0...50 °C) vertical installation) EN 61131-2 Ed.3 32.0000000000...113.0000000000 °F (0...45 °C) vertical installation when using RAID option) EN 61131-2 Ed.3 32.0000000000...113.0000000000 °F (0...45 °C) vertical installation when using Gigabit Ethernet with HDD storage device) EN 61131-2 Ed.3
<b>Operating altitude</b>	6561.68 ft (2000 m) EN 61131-2 Ed.3
<b>Vibration resistance</b>	0.125 gn 5...100 Hz) continuous IEC 60068-2-6 0.250 gn 5...100 Hz) intermittently IEC 60068-2-6

## Ordering and shipping details

<b>Category</b>	22575-MAGELIS MC3
<b>Discount Schedule</b>	MC3
<b>GTIN</b>	3595864125565
<b>Returnability</b>	No
<b>Country of origin</b>	AT

## Packing Units

<b>Unit Type of Package 1</b>	PCE
<b>Number of Units in Package 1</b>	1
<b>Package 1 Height</b>	12.6 in (32.0 cm)
<b>Package 1 Width</b>	15.9 in (40.5 cm)
<b>Package 1 Length</b>	15.9 in (40.5 cm)
<b>Package 1 Weight</b>	16.078 lb(US) (7.293 kg)

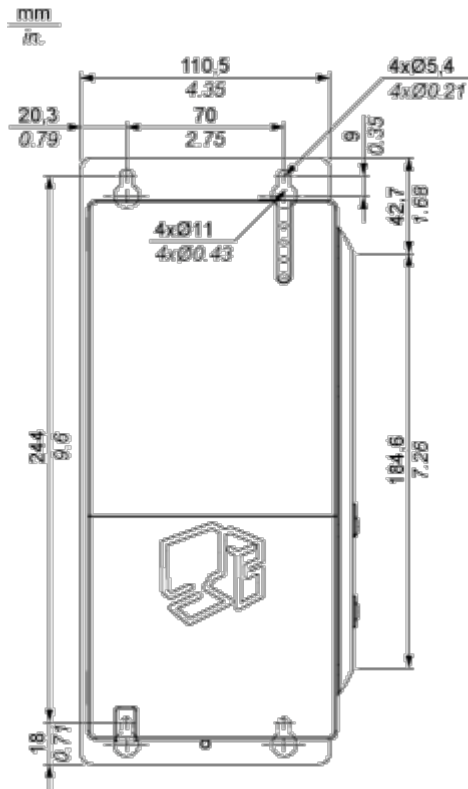
## Contractual warranty

<b>Warranty</b>	18 months
-----------------	-----------

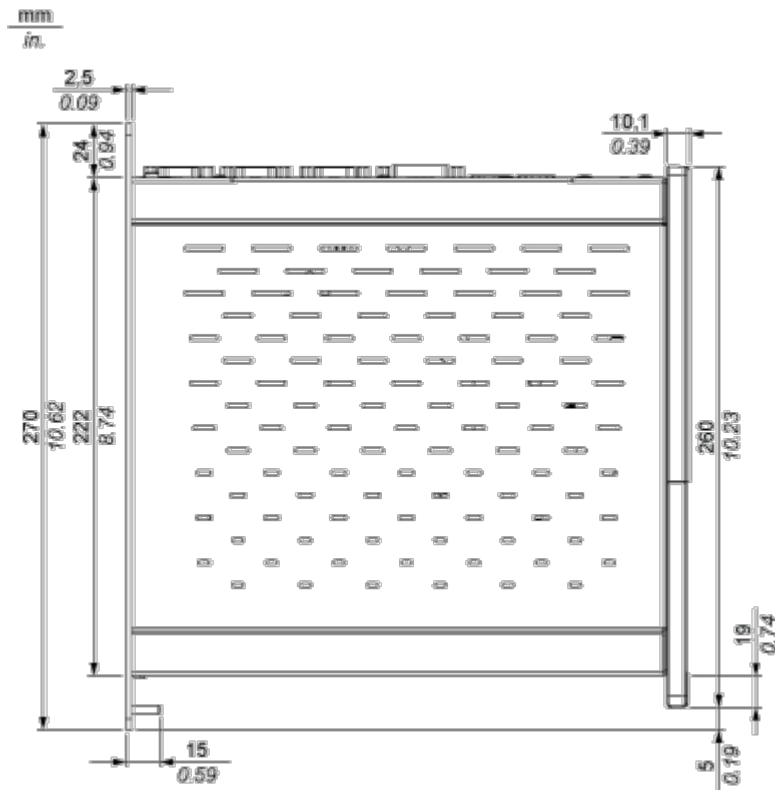
Dimensions Drawings

Dimensions

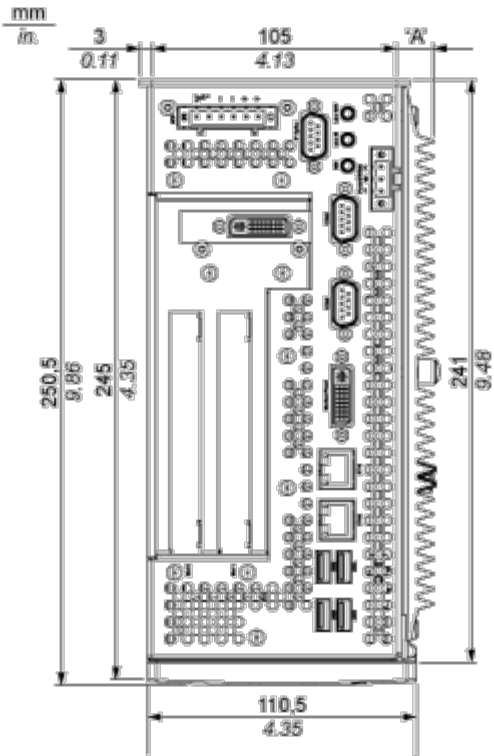
Front view



Side view



Top view

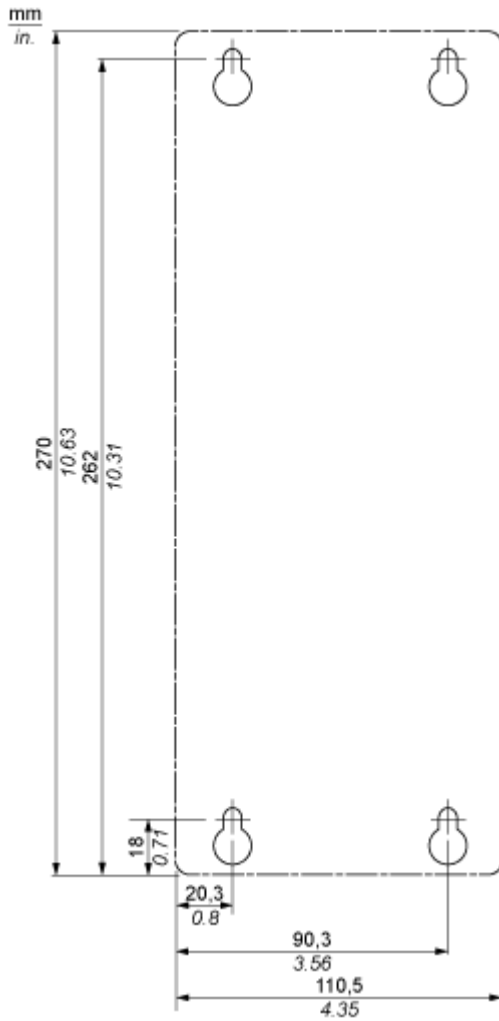


Mounting and Clearance

Mounting

---

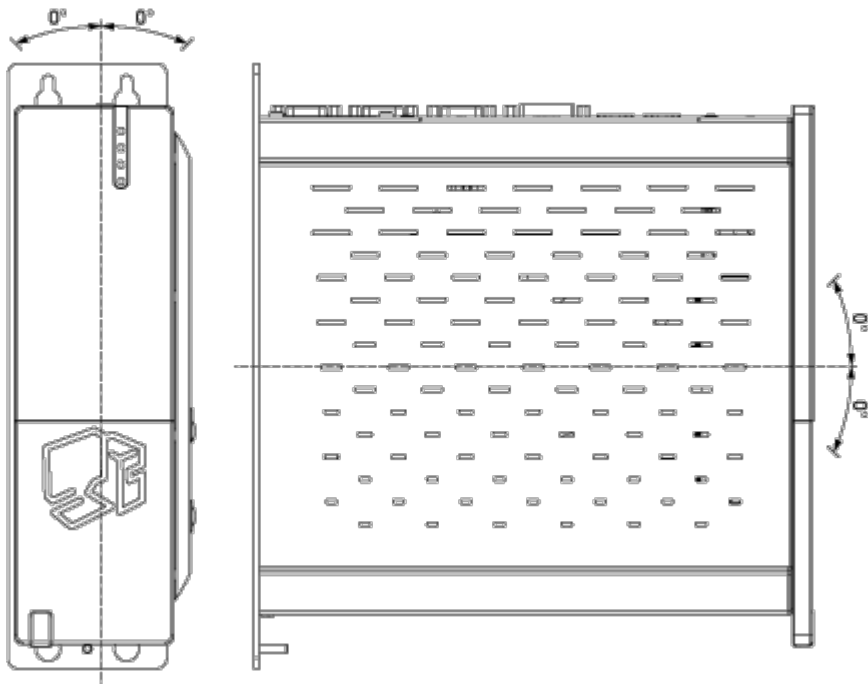
Plate Designed for M5 Screws



Mounting angle

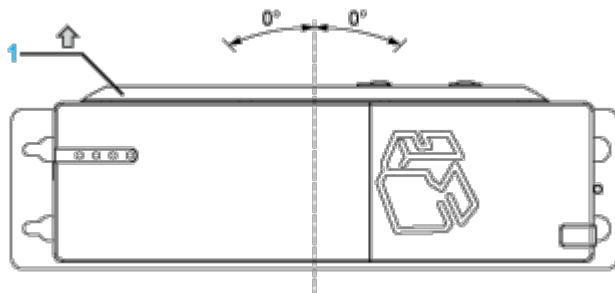
---

Standard mounting - vertical



Optional mounting - flat

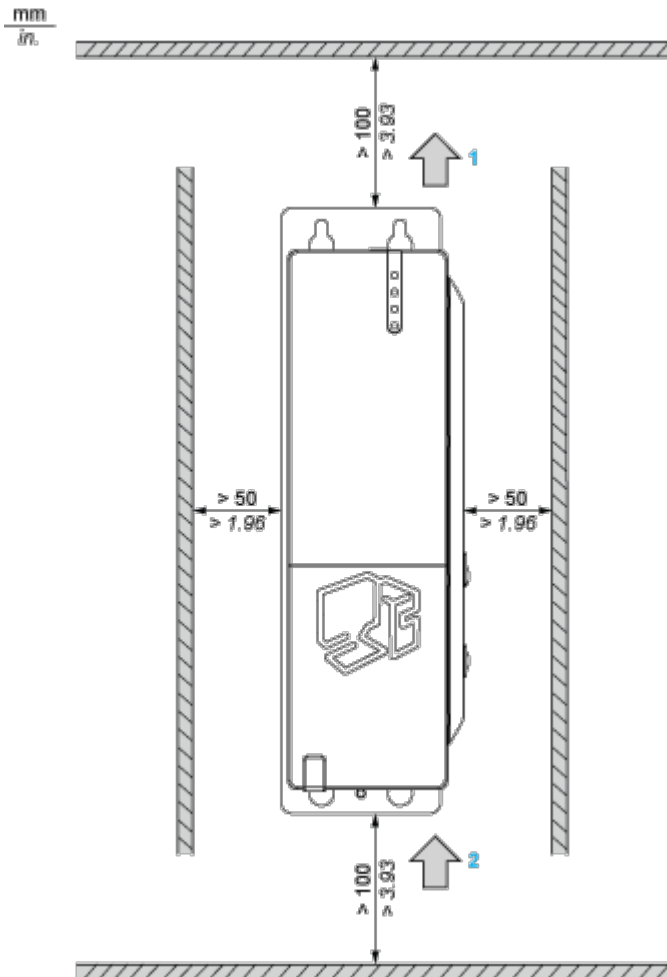
The maximum ambient temperature specification must be lowered by 5 °C (41 °F).  
For fanless models, a fan kit needs to be ordered separately.



- 1 Heat sink

Spacing Requirements for Air Circulation

---



- 1 Air out
- 2 Air in