

Key Selector Switches

Part No.	Wave Key				Disc Tumbler Key		
	Round / Black Bezel	Square / Black Bezel	Round / Metallic Bezel	Square / Metallic Bezel	Round / Metallic Bezel	Square / Metallic Bezel	
① Style	② Operator Position		⑤ Key Removable Position		⑥ Contact	Part No.	
Black bezel	90° 2-position	Maintained	A: Key removable in all positions		SPDT	LBW①K-2ST1A	LBW①K-2ST5A
					DPDT	LBW①K-2ST2A	LBW①K-2ST6A
	45° 3-position	Maintained	A: Key removable in all positions		DPDT	LBW①K-3ST2A	LBW①K-3ST6A
					3PDT	LBW①K-3ST3A	LBW①K-3ST7A
Metallic bezel	90° 2-position	Maintained	A: Key removable in all positions		SPDT	LBW①K-2ST1A	LBW①K-2ST5A
					DPDT	LBW①K-2ST2A	LBW①K-2ST6A
	45° 3-position	Maintained	A: Key removable in all positions		DPDT	LBW①K-3ST2A	LBW①K-3ST6A
					3PDT	LBW①K-3ST3A	LBW①K-3ST7A

- For operator position, see Part Number Interpretation below.
- For key removable position, see Part Number Interpretation below. The key cannot be removed in a spring returned position.
- Two keys are supplied.
- Besides the standard key (key number 0H), six other keys are available.
- Disc tumbler keys also available. Only the standard key is available. To specify, see Part Number Interpretation below.
- PC board terminals available for gold contacts. To specify, see Part Number Interpretation below.
- For contact operation, see **593**.

Part Number Interpretation

LBW①K-②③T④⑤-⑥



To be used for interpreting part numbers only, not for part number development.

① Style

Code	Shape
6	Round / Black Bezel
7	Square / Black Bezel
6M	Round / Metallic Bezel
7M	Square / Metallic Bezel

② Operator Position

Code	Operator Position
2	90° 2-position maintained
3	45° 3-position maintained
33	45°-3-position spring return two-way

③ Key Style

Code	Key Style
S	Wave key
Blank	Disc tumbler key

④ Contacts

Code	Contact
1	Gold/SPDT (90° 2-position only)
2	Gold/DPDT
3	Gold/3PDT
5	Silver/SPDT (90° 2-position only)
6	Silver/DPDT
7	Silver/3PDT

⑤ Key Removal Position

2-position

Key Removable Position

A: Key removable in all positions	B: Key removable at left position only

3-position

Key Removable Position

A: Key removable in all positions	D: Key removable at center only

⑥ Key Number (for wave keys only)

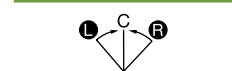
Code	
0H or Blank	Standard key
1H to 2H	Reversible key
3H to 6H	Non-reversible key

Others

Code	Specification	Part No. Example
Blank	Solder/Tab Terminal	—
V	PC Board Terminal (Gold Contact Only)	LBW6K-2T1VA

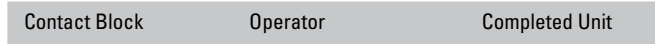
3-position

Spring return two-way



- Key removable at **L**, **C**, **R**.
- Key retained at **L**, **R**.

Key Selector Switches (Sub-assembled)



Contact Block

Terminal Style	Material	Contact	Part Number	
	Solder/Tab	Silver	SPDT	LB-T5
			DPDT	LB-T6
			3PDT	LB-T7
	PCB	Gold	SPDT	LB-T1V
			DPDT	LB-T2V
			3PDT	LB-T3V

Operator

Style	Shape	Position	Function	Key Style	Key Remove Position	Part number		
	Round	2	90° 2-position maintained	Disc tumbler key	All positions	LBW6K-2A		
					Left	LBW6K-2B		
				Wave key	All positions	LBW6K-2SA		
		Left			LBW6K-2SB			
		3		45° 3-position maintained	Disc tumbler key	All positions	LBW6K-3A	
						Center	LBW6K-3D	
			Wave key		All positions	LBW6K-3SA		
		Center			LBW6K-3SD			
		45°-3-position spring return two-way	Disc tumbler key		All positions	LBW6K-33D		
	Wave key				Center	LBW6K-33SD		
	Wave key		Center	LBW6K-33SD				
	Square	2	90° 2-position maintained	Disc tumbler key	All positions	LBW7K-2A		
					Left	LBW7K-2B		
				Wave key	All positions	LBW7K-2SA		
					Left	LBW7K-2SB		
				3	45° 3-position maintained	Disc tumbler key	All positions	LBW7K-3A
							Center	LBW7K-3D
		Wave key	All positions			LBW7K-3SA		
Center			LBW7K-3SD					
45°-3-position spring return two-way		Disc tumbler key	All positions	LBW7K-33D				
	Wave key		Center	LBW7K-33SD				
	Wave key	Center	LBW7K-33SD					

Style	Shape	Position	Function	Key Style	Key Remove Position	Part number	
	Round	2	90° 2-position maintained	Disc tumbler key	All positions	LBW6MK-2A	
					Left	LBW6MK-2B	
				Wave key	All positions	LBW6MK-2SA	
		Left			LBW6MK-2SB		
		3		45° 3-position maintained	Disc tumbler key	All positions	LBW6MK-3A
						Center	LBW6MK-3D
	Wave key		All positions		LBW6MK-3SA		
		Center	LBW6MK-3SD				
	45°-3-position spring return two-way	Disc tumbler key	Center		LBW6MK-33D		
			Wave key		LBW6MK-33SD		
		Wave key	LBW6MK-33SD				
	Square	2	90° 2-position maintained	Disc tumbler key	All positions	LBW7MK-2A	
Left					LBW7MK-2B		
Wave key				All positions	LBW7MK-2SA		
		Left		LBW7MK-2SB			
3		45° 3-position maintained		Disc tumbler key	All positions	LBW7MK-3A	
					Center	LBW7MK-3D	
	Wave key		All positions	LBW7MK-3SA			
Center			LBW7MK-3SD				
45°-3-position spring return two-way	Disc tumbler key		Center	LBW7MK-33D			
			Wave key	LBW7MK-33SD			
	Wave key	LBW7MK-33SD					

Switches & Pilot Devices

Signaling Lights

Relays & Sockets

Timers

Contactors

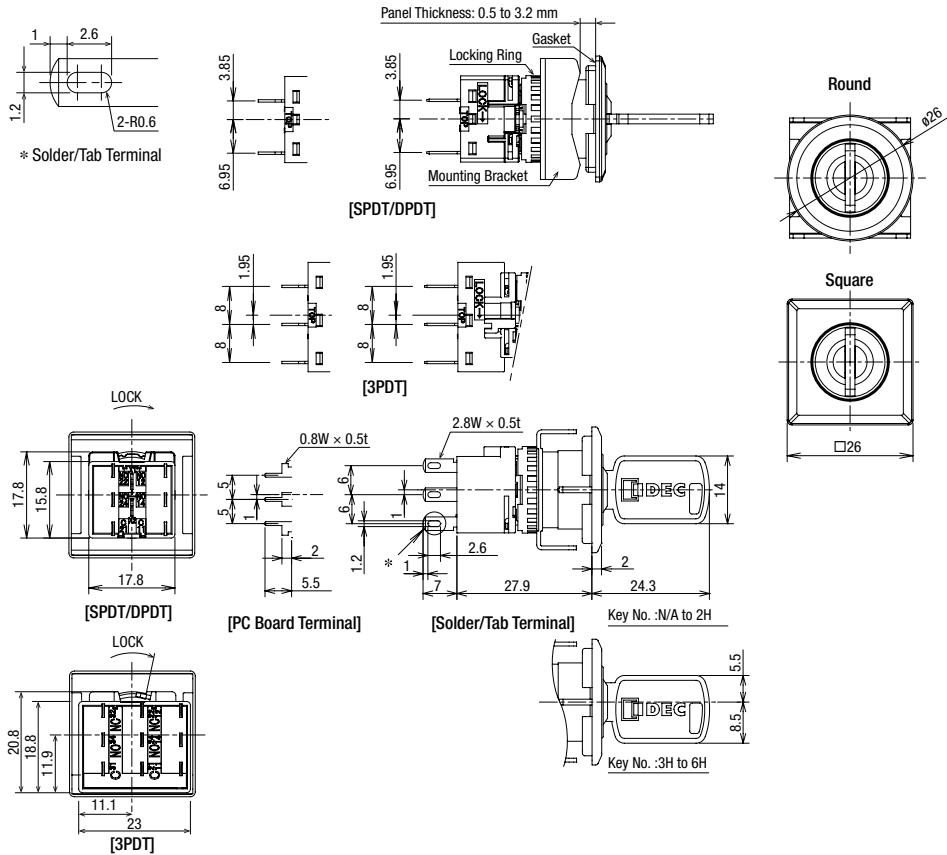
Terminal Blocks

Circuit Breakers

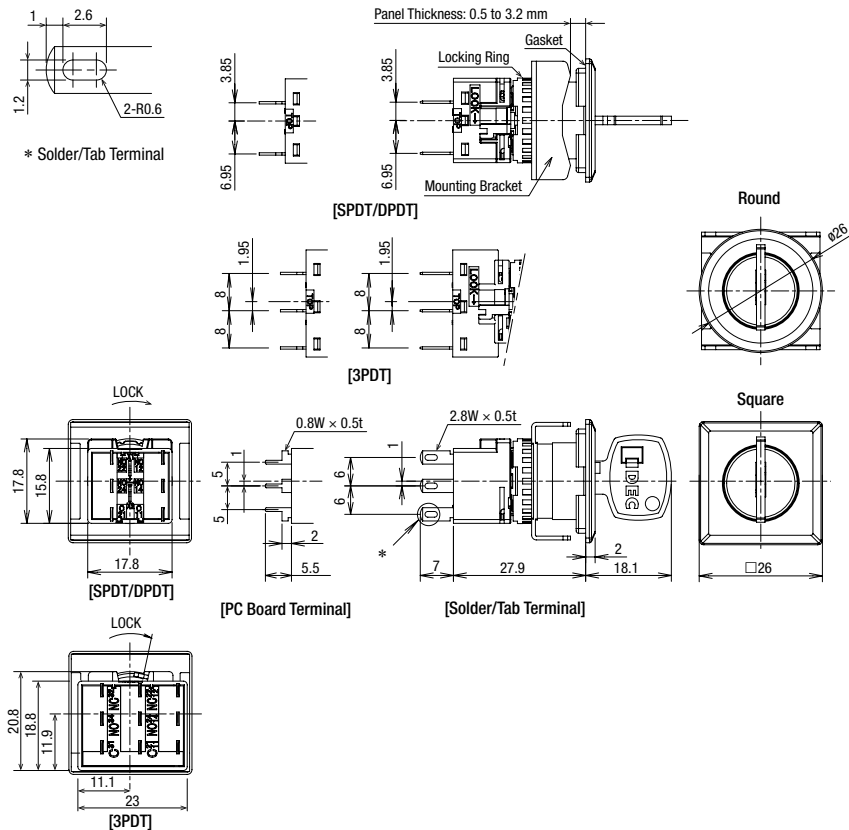
Dimensions

All dimensions in mm.

Key Selector Switches with Wave Key

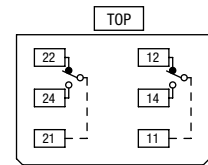


Key Selector Switches with Disc Tumbler Key



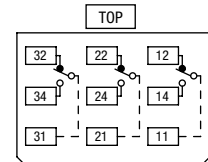
Terminal Arrangement (Bottom View)

SPDT/DPDT Contacts



(SPDT contacts on the right only)

3PDT Contacts



- For details on mounting hole layout, see **593**.
- For details on pc board and circuit design, see **594**.
- For details on single board mounting, see **593**.