

Illuminated Pushbuttons (Assembled)



| ① Style | ② Operation | ④ Contact | ⑤ LED Operating Voltage | Part No. | * Illumination Color Code |
|----------------|-------------|-----------|-------------------------|--------------|--|
| Black bezel | Momentary | Gold/SPDT | 24V AC/DC | LBW①L-M③T14* | Specify the color code in place of * in the Part No. A: amber G: green PW: pure white R: red S: blue Y: yellow |
| | | Gold/DPDT | | LBW①L-M③T24* | |
| | Maintained | Gold/SPDT | 24V AC/DC | LBW①L-A③T14* | |
| | | Gold/DPDT | | LBW①L-A③T24* | |
| Metallic bezel | Momentary | Gold/SPDT | 24V AC/DC | LBW①L-M③T14* | |
| | | Gold/DPDT | | LBW①L-M③T24* | |
| | Maintained | Gold/SPDT | 24V AC/DC | LBW①L-A③T14* | |
| | | Gold/DPDT | | LBW①L-A③T24* | |
| Guard Type | Momentary | Gold/SPDT | 24V AC/DC | LBW①L-M③T14* | |
| | | Gold/DPDT | | LBW①L-M③T24* | |
| | Maintained | Gold/SPDT | 24V AC/DC | LBW①L-A③T14* | |
| | | Gold/DPDT | | LBW①L-A③T24* | |

- Flush/Extended color code: A (amber), G (green), PW (pure white), R (red), S (blue), Y (yellow)
- Ring-illuminated color code: PW (pure white), WA (amber), WG (green), WR (red), WS (blue)
- Illuminated pushbuttons contain an LED unit. For details on LED units, see 580.
- The guard opens 180 degrees spring-return.
- Illuminated pushbuttons can be used with legend markings. Engraving can be done on a marking plate which is placed in the lens, or a clear film can be printed and placed in the lens. See 594 for details on the marking plate and film.
- White lens type (when light is off) are available. Clear lens is used instead of colored lens for amber, green, red, and blue illuminated pushbuttons. Amber, green, red, or blue LED units are used. To specify, see Part Number Interpretation below.
- PC board terminals available for gold contacts. Silver contacts also available. To specify, see Part Number Interpretation below.
- Extended style is available. See Part Number Interpretation below (③).
- Flush ring-illuminated style is available. See Part Number Interpretation below (③). Guard is not available with flush ring-illuminated style.
- 5V DC and 12V AC/DC LED operating voltages also available.
- Marking plates are available. See accessory section.

Part Number Interpretation

LBW①L-②③T④⑤⑥*



To be used for interpreting part numbers only, not for part number development.

① Style

| Code | Shape |
|------|-------------------------|
| 6 | Round / Black Bezel |
| 7 | Square / Black Bezel |
| 6M | Round / Metallic Bezel |
| 7M | Square / Metallic Bezel |
| 6G | Round with Guard |
| 7G | Square with Guard |

② Operation

| Code | Operation |
|------|------------|
| A | Maintained |
| M | Momentary |

③ Operator Style

| Code | Operator Style |
|------|------------------------|
| 1 | Flush |
| 2 | Extended |
| 1R | Flush Ring-illuminated |

* Extended style is available only for round (black/metallic bezel) and in momentary operation. Guard model is not available.

④ Contacts

| Code | Contact |
|------|-------------|
| 1 | Gold/SPDT |
| 2 | Gold/DPDT |
| 5 | Silver/SPDT |
| 6 | Silver/DPDT |

⑤ LED Operating Voltage

| Code | Rated Operating Voltage |
|------|-------------------------|
| 1 | 5V DC |
| 3 | 12V AC/DC |
| 4 | 24V AC/DC |

⑥ Others

| Code | Specification | Part No. Example |
|-------|---------------------------------------|------------------|
| Blank | Solder/Tab Terminal | — |
| V | PC Board Terminal (Gold Contact Only) | LBW6L-M1T14V* |

• Specify the color code in place of * in the table above.

Illuminated Pushbuttons (Sub-assembled)



Contact Block

| Terminal Style | Material | Contact | Part Number |
|----------------|----------|---------|-------------|
| | Silver | SPDT | LB-T50 |
| | | DPDT | LB-T60 |
| | Gold | SPDT | LB-T10V |
| | | DPDT | LB-T20V |

LED Module

| Style | Color | Voltage | Part Number |
|-------|------------|---------|-------------|
| | Amber | 5V | LB9Z-LED5A |
| | | 12V | LB9Z-LED1A |
| | | 24V | LB9Z-LED2A |
| | Green | 5V | LB9Z-LED5G |
| | | 12V | LB9Z-LED1G |
| | | 24V | LB9Z-LED2G |
| | Red | 5V | LB9Z-LED5R |
| | | 12V | LB9Z-LED1R |
| | | 24V | LB9Z-LED2R |
| | Blue | 5V | LB9Z-LED5S |
| | | 12V | LB9Z-LED1S |
| | | 24V | LB9Z-LED2S |
| | Pure White | 5V | LB9Z-LED5PW |
| | | 12V | LB9Z-LED1PW |
| | | 24V | LB9Z-LED2PW |

Operator

| Style | Mounting Style | Shape | Momentary | Maintained |
|-------|-------------------------------------|---------------------------|------------------------|------------|
| | Flush Mount (Plastic) | Round | LBW6L-M0 | LBW6L-A0 |
| | | Square | LBW7L-M0 | LBW7L-A0 |
| | Flush Mount (Metallic) | Round | LBW6ML-M0 | LBW6ML-A0 |
| | | Square | LBW7ML-M0 | LBW7ML-A0 |
| | Flush Mount (Built-in switch guard) | Round | LBW6GL-M0 | LBW6GL-A0 |
| | | Square | LBW7GL-M0 | LBW7GL-A0 |
| | Flush Mount (Plastic) | Round (for extended lens) | LBW6L-M20 | LBW6L-A20 |
| | | | Flush Mount (Metallic) | LBW6ML-M20 |

Lens

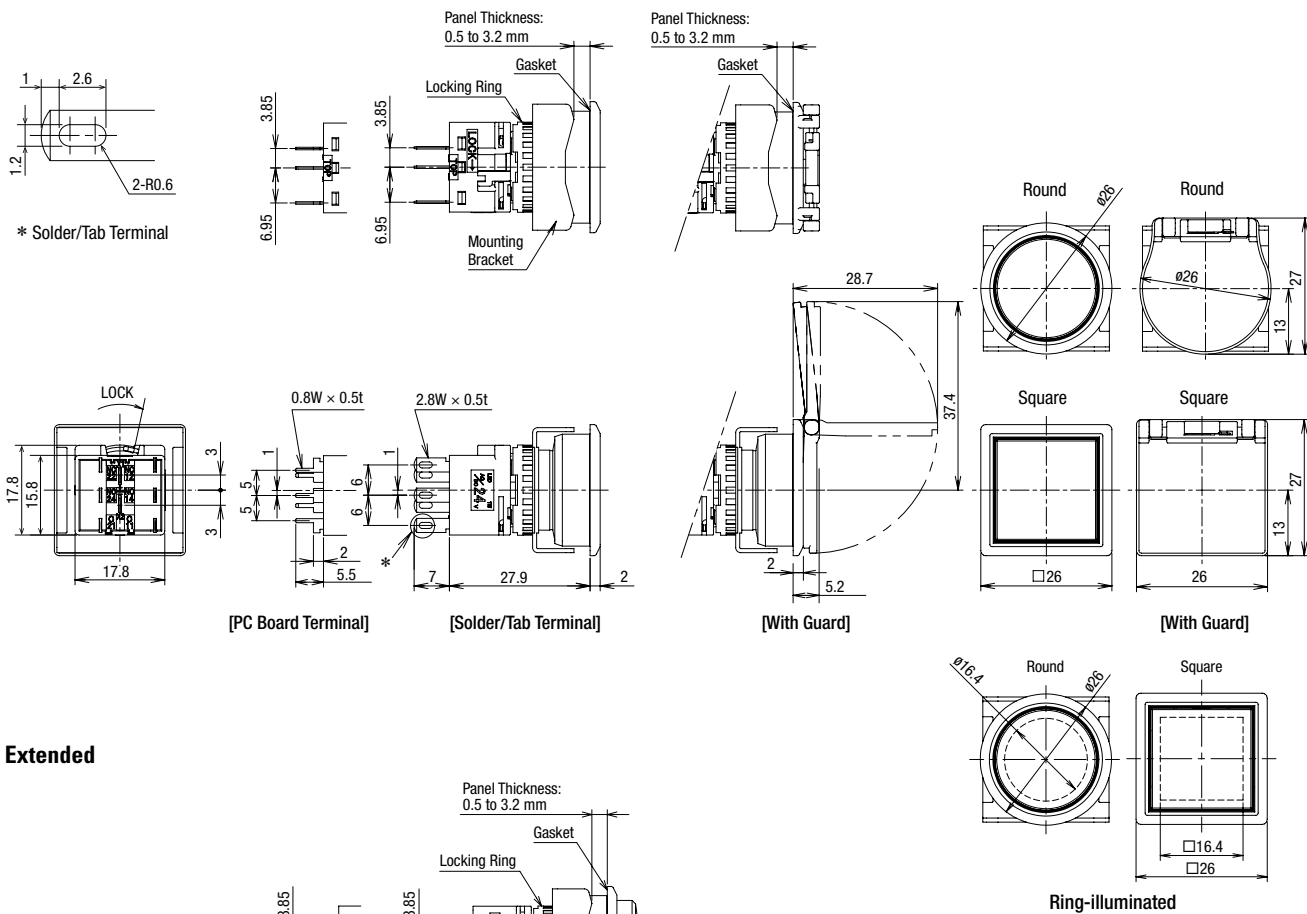
| Shape | Color | Part Number |
|-------------------|--------|-------------|
| | Amber | LBW6A-L1A |
| | Green | LBW6A-L1G |
| | Red | LBW6A-L1R |
| | Blue | LBW6A-L1S |
| | White | LBW6A-L1W |
| | Yellow | LBW6A-L1Y |
| | Amber | LBW6A-L2A |
| | Green | LBW6A-L2G |
| | Red | LBW6A-L2R |
| | Blue | LBW6A-L2S |
| | White | LBW6A-L2W |
| | Yellow | LBW6A-L2Y |
| | Amber | LBW7A-L1A |
| | Green | LBW7A-L1G |
| | Red | LBW7A-L1R |
| | Blue | LBW7A-L1S |
| | White | LBW7A-L1W |
| | Yellow | LBW7A-L1Y |
| Round Ring Flush | White | LBW6A-L1R-W |
| Square Ring Flush | White | LBW7A-L1R-W |

Note: No marking plate used in ring illuminated pushbuttons.

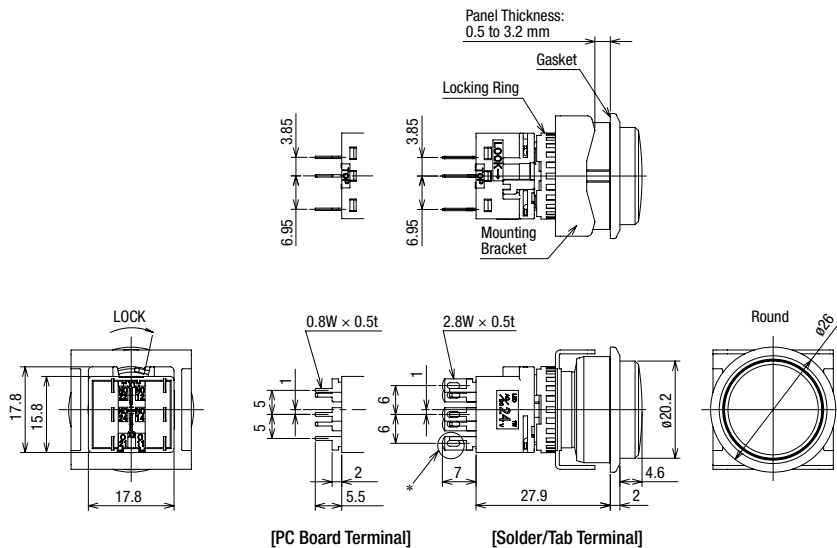
Dimensions

All dimensions in mm.

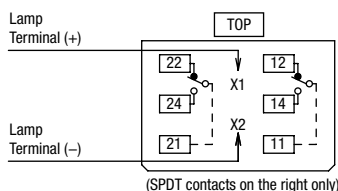
Flush/Ring-illuminated



Extended



Terminal Arrangement (Bottom View)



- For details on pc board and circuit design, see 594.
- For details on single board mounting, see 593.