

Plug-in relay 1 change-over contact, hard gold-plated 24 V DC, for LZS sockets

Figure similar

product brand name	SIRIUS
product designation	Plug-in relay
product type designation	LZX
General technical data	
consumed active power	400 mW
percental drop-out voltage related to the input voltage	10 %
shock resistance according to IEC 60068-2-27	5g / 11 ms
vibration resistance according to IEC 60068-2-6	30 ... 150 Hz: 5g
operating frequency without load	72 000 1/h
operating frequency with load	360 1/h
switching behavior	monostable
design of the switching function	changeover switch
design of the switching function positively driven	No
mechanical service life (switching cycles) typical	30 000 000
electrical endurance (switching cycles) at AC-15 at 230 V typical	100 000
thermal current	16 A
reference code according to IEC 81346-2	K
Substance Prohibitance (Date)	05/01/2012
Control circuit/ Control	
control supply voltage at DC	24 V
• rated value	
operating range factor control supply voltage rated value at DC	0.9
• initial value	
• full-scale value	1.4
design of the relay operating mechanism	poled
product component plug-in socket	No
Auxiliary circuit	
type of switching contact	Changeover contact
material of switching contacts	AgNi 90/10-HTV
number of NC contacts for auxiliary contacts	0
number of NO contacts for auxiliary contacts	0
number of CO contacts for auxiliary contacts	1
operational current of auxiliary contacts at AC-15	6 A
• at 250 V	
Main circuit	
type of voltage	DC
ampacity of the output relay at AC-15 at 250 V at 50/60 Hz	6 A
Connections/ Terminals	

product function removable terminal	No	
Installation/ mounting/ dimensions		
mounting position	any	
fastening method	base mounting	
height	29 mm	
width	12.7 mm	
depth	19.5 mm	
Ambient conditions		
ambient temperature		
• during operation	-40 ... +85 °C	
• during storage	-40 ... +85 °C	
• during transport	-40 ... +85 °C	
Certificates/ approvals		
General Product Approval	Declaration of Conformity	other

[Confirmation](#)



[Confirmation](#)

Further information

Information- and Downloadcenter (Catalogs, Brochures,...)

<https://www.siemens.com/ic10>

Industry Mall (Online ordering system)

<https://mall.industry.siemens.com/mall/en/en/Catalog/product?mfb=LZX:RT315024>

Cax online generator

<http://support.automation.siemens.com/WW/CAXorder/default.aspx?lang=en&mfb=LZX:RT315024>

Service&Support (Manuals, Certificates, Characteristics, FAQs,...)

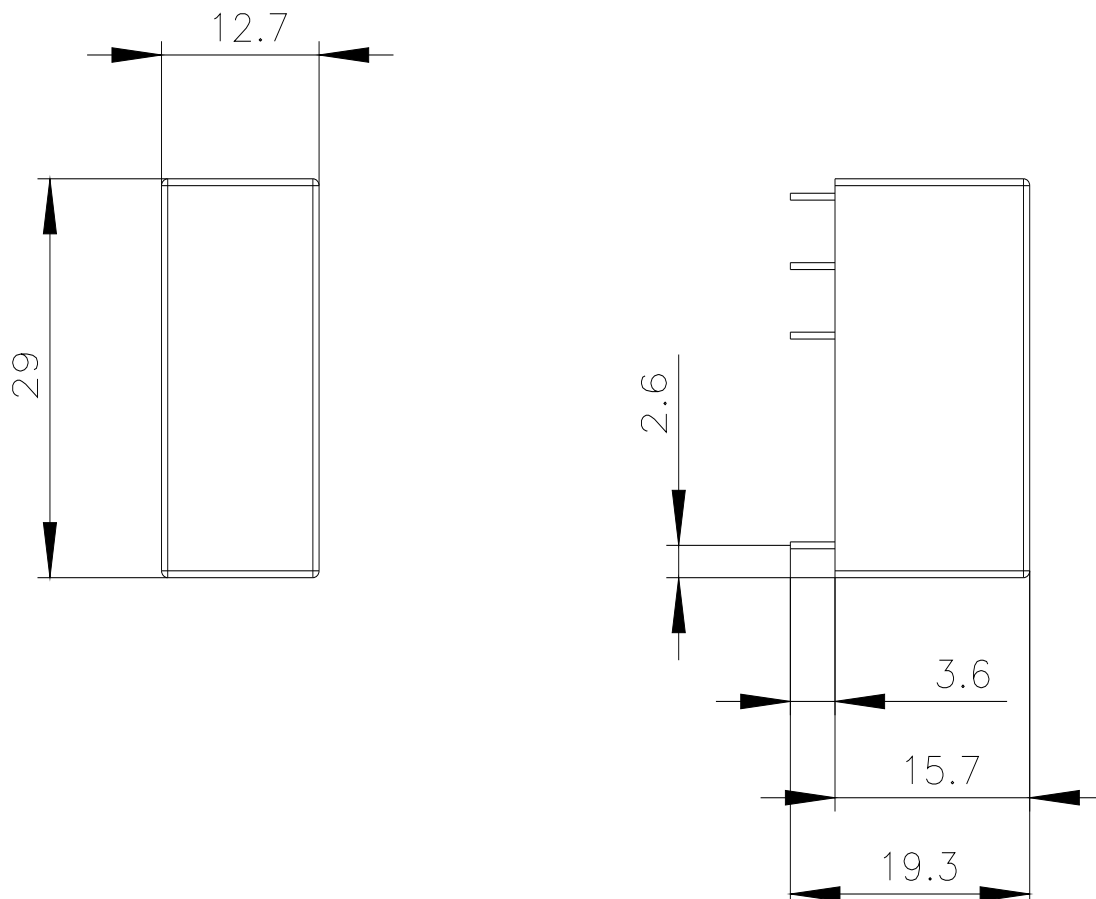
<https://support.industry.siemens.com/cs/ww/en/ps/LZX:RT315024>

Image database (product images, 2D dimension drawings, 3D models, device circuit diagrams, EPLAN macros, ...)

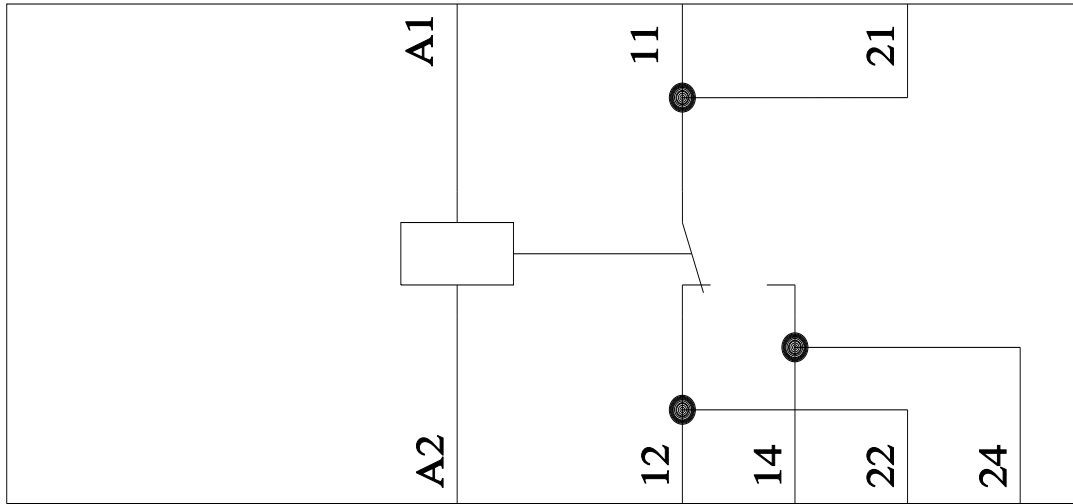
http://www.automation.siemens.com/bilddb/cax_de.aspx?mfb=LZX:RT315024&lang=en

Characteristic: Derating

<https://support.industry.siemens.com/cs/ww/en/ps/LZX:RT315024/manual>



-K



last modified:

1/8/2021 