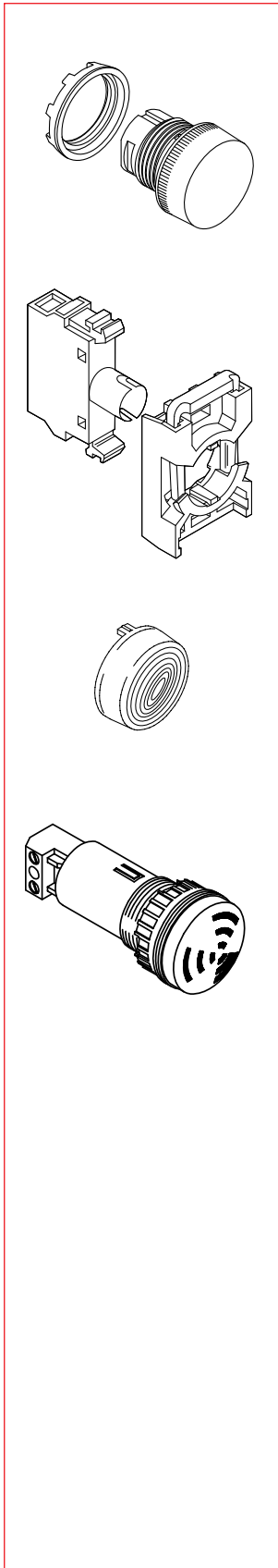


Pilot lights and Buzzers

Pilot Devices
Modular Range
22mm



Pilot light head ①②

Lens color	Catalog No.	Ref. Code	List Price
Red	ML1-100R	1SFA 611 400 R1001	\$ 4.50
Green	ML1-100G	1SFA 611 400 R1002	
Yellow	ML1-100Y	1SFA 611 400 R1003	
Blue	ML1-100L	1SFA 611 400 R1004	
White	ML1-100W	1SFA 611 400 R1005	
Clear	ML1-100C	1SFA 611 400 R1008	

Lamp blocks with holder ①

Supply voltage	Catalog No.	Ref. Code	List Price
For max. 2 W, 230 V AC and DC filament bulb or LED 230 V, 2 W X1 X2 115 V AC supply voltage.	MCBH-001	1SFA 611 605 R1200	\$ 19.50
For 60 V filament bulb max. 1.2 W 115 V X1 60 V X2 1.2 W	MCBH-002	1SFA 611 605 R1300	23.50
For 130 V filament bulb max. 2 W 230 V X1 130 V X2 2 W	MCBH-003	1SFA 611 605 R1400	23.50

Light diffusing lens

To improve illumination. *Note: Cannot be used with text cap.*

Description	Catalog No.	Ref. Code	List Price
The lens is used instead of text cap	KA1-8005	1SFA 616 920 R8005	\$ 3.00

Buzzers

Black. Frequency: Approx. 2400 Hz. Loudness: Min 80 dB (A)/10 cm
Rated current: ≤ 8 mA. Service life: >5000 h

Supply voltage	Tone	Catalog No.	Catalog No.	Ref. Code	List Price
24 V AC/DC	Continuous	KB1-4010		1SFA 616 401 R4010	\$ 75.00
115 V AC/DC	Continuous	KB1-4030		1SFA 616 401 R4030	75.00
230 V AC	Continuous	KB1-4040		1SFA 616 401 R4040	75.00
24 V AC/DC	Pulsating	KB1-4110		1SFA 616 401 R4110	85.00
115 V AC/DC	Pulsating	KB1-4130		1SFA 616 401 R4130	85.00
230 V AC	Pulsating	KB1-4140		1SFA 616 401 R4140	85.00

① Bulb not included. See page 8.23
② For compact style, see page 8.33.