



# Compact Cylinder: Standard/ Double Acting Single Rod NCQ2 / CQ2 Series

ø12, ø16, ø20, ø25, ø32, ø40, ø50, ø63, ø80, ø100

## How To Order

**NCQ2** **B** **H** **20** **F** **30** **D** **C**

**W/ Auto Switch** **NCQDQ2** **B** **H** **20** **F** **30** **D** **C** **A73** **S**

**Mounting**

<b>B</b>	Through hole	<b>F</b>	Rod side flange
<b>A</b>	Both ends tapped	<b>G</b>	Head side flange
<b>L</b>	Foot	<b>D</b>	Double Clevis

**Style**

-	Air pressure
<b>H</b>	See note 1) Air Hydro

Note 1) The available air-hydro bore sizes: ø20~ø100, CQ2 only.

**Bore Size**

<b>12</b>	12mm (1/2" Nom.)	<b>40</b>	40mm (1-1/2" Nom.)
<b>16</b>	16mm (5/8" Nom.)	<b>50</b>	50mm (2" Nom.)
<b>20</b>	20mm (3/4" Nom.)	<b>63</b>	63mm (2-1/2" Nom.)
<b>25</b>	25mm (1" Nom.)	<b>80</b>	80mm (3-1/4" Nom.)
<b>32</b>	32mm (1-1/4" Nom.)	<b>100</b>	100mm (4" Nom.)

**Piping**

-	Threaded ports
<b>F</b>	See note 2) Built-in one-touch fitting

Note 2) Available built-in one touch fitting bore size: ø32~ø63.  
Not applicable for Air-Hydro type CQ2

**Cylinder Stroke (mm)**

Please refer to p.3 for standard strokes

**Action**

<b>D</b>	Double
----------	--------

**Auto Switch**

-	2 pcs.
<b>S</b>	1 pcs.
<b>n</b>	n pcs.

**Auto Switch Capability**

-	Without Auto Switch
---	---------------------

**Auto Switch Specifications**

Type	Autoswitch		Indicator light	Wire (Output type)	Load Voltage		
	Perpendicular entry	In-line entry			DC	AC	
Reed switch	—	A76H	Yes	3 Wire	—	5V	
	A72	A72H			—	200V	
	A73	A73H			12V	100V	
	A80	A80H	No	2 Wire	24V	5V, 12V	
	A73C	—				12V	—
	A80C	—				5V, 12V	24V
	A79W	—				—	—
Solid State Switch	F7NV	F79	Yes	3 Wire NPN	24V	5V, 12V	
	F7PV	F7P		3 Wire PNP			
	F7BV	J79		2 Wire	12V		
	J79C	—					
	F7NVV	F79W		3 Wire NPN	24V	5V, 12V	
	—	F7PW		3 Wire PNP			
	F7BVV	J79W		2 Wire			12V
	—	F7BAL					
	—	F7NTL		3 Wire NPN	5V, 12V		
	—	F79F					
	—	F7LF					

### Mounting Kits

Bore Size (mm)	Note 4) Foot	Flange	Note 6) Double clevis
12	(N)CQ-L012	(N)CQ-F012	(N)CQ-D012
16	(N)CQ-L016	(N)CQ-F016	(N)CQ-D016
20	(N)CQ-L020	(N)CQ-F020	(N)CQ-D020
25	(N)CQ-L025	(N)CQ-F025	(N)CQ-D025
32	(N)CQ-L032	(N)CQ-F032	(N)CQ-D032
40	(N)CQ-L040	(N)CQ-F040	(N)CQ-D040
50	(N)CQ-L050	(N)CQ-F050	(N)CQ-D050
63	(N)CQ-L063	(N)CQ-F063	(N)CQ-D063
80	(N)CQ-L080	(N)CQ-F080	(N)CQ-D080
100	(N)CQ-L100	(N)CQ-F100	(N)CQ-D100

Note 4) If foot bracket is required for a cylinder, order a pair

Note 5) Each bracket comes with the following accessories;  
Foot / Flange; Body mounting bolt  
Double clevis; Clevis pin, Axis C style snap ring,  
Body mounting bolt

Note 6) The double-clevis is packaged with clevis pin and snap ring.

• Load length 0.5m.....Std. Connector A80C 5m.....Z Connector A80CZ  
3m.....L A80CL No lead.....N A80CN

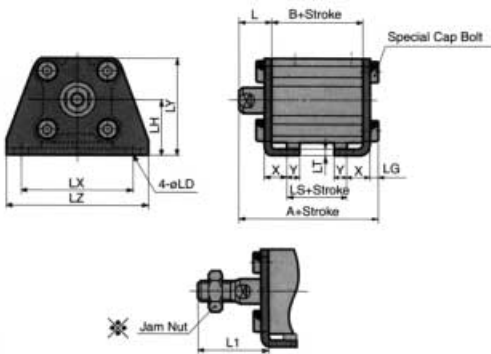
### Body Option

-	Std. (Female thread)
<b>C</b>	Note 3) W/ rubber cushion
<b>M</b>	Male thread
<b>F</b>	Head end boss

\* Body option combination is available such as CM, FC, FM, and FCM.

Note 3) W/ Rubber cushion is not available for the air-hydraulic type.

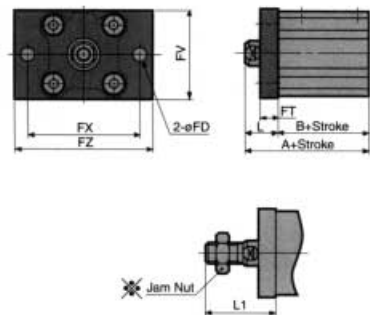
## Compact Cylinder: Standard / Double Acting Single Rod



Foot / (N)CQ2L

mm

Bore size (mm)	Stroke range (mm)	A	B	L	CQ2 L1	NCQ2 L1	LD	LG	LH	LS	LT	LX	LY	LZ	X	Y
12	5~30	35.3	17	13.5	24	21.5	4.5	2.8	17	5	2	34	29.5	44	8	4.5
16	5~30	36.8	18.5	13.5	25.5	21.5	4.5	2.8	19	6.5	2	38	33.5	48	8	5
20	5~50	41.2	19.5	14.5	28.5	22.5	6.6	4	24	7.5	3.2	48	42	62	9.2	5.8
25	5~50	44.7	22.5	15	32.5	24.5	6.6	4	26	7.5	3.2	52	46	66	10.7	5.8

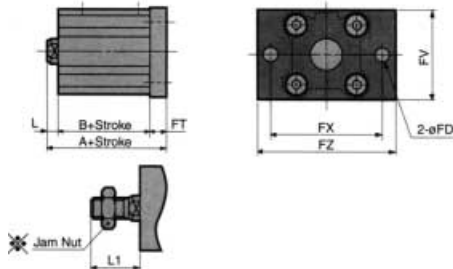


Rod Side Flange / (N)CQ2F

mm

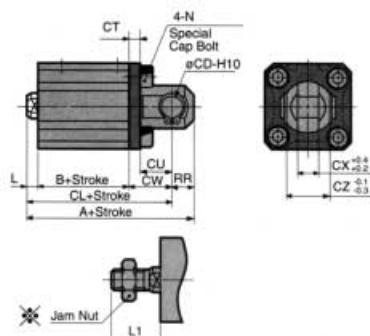
Bore size (mm)	Stroke range (mm)	A	B	FD	FT	FV	FX	FZ	L	CQ2 L1	NCQ2 L1
12	5~30	30.5	17	4.5	5.5	25	45	55	13.5	24	21.5
16	5~30	32	18.5	4.5	5.5	30	45	55	13.5	25.5	21.5
20	5~50	34	19.5	6.6	8	39	48	60	14.5	28.5	22.5
25	5~50	37.5	22.5	6.6	8	42	52	64	15	32.5	24.5

Head Side Flange / (N)CQ2G mm



Bore size (mm)	Stroke range (mm)	A	L	CQ2 L1	NCQ2 L1
12	5~30	26	3.5	14	11.5
16	5~30	27.5	3.5	15.5	11.5
20	5~50	32	4.5	18.5	12.5
25	5~50	35.5	5	22.5	14.5

\*Dimensions for the head flange cylinder are the same as rod flange except A, L, L1.



Double Clevis / (N)CQ2D

mm

Bore size (mm)	Stroke range (mm)	A	B	CQ2 CD	NCQ2 inch CD	CL	CT	CU	CW	CX	CZ	L	CQ2 L1	NCQ2 L1	CQ2 N	NCQ2 inch N	RR
12	5~30	40.5	17	5	3/16	34.5	4	7	14	5	10	3.5	14	11.5	M4x0.7	8-32	6
16	5~30	43	18.5	5	3/16	37	4	10	15	6.5	12	3.5	15.5	11.5	M4x0.7	8-32	6
20	5~50	51	19.5	8	5/16	42	5	12	18	8	16	4.5	18.5	12.5	M6x1.0	1/4-20	9
25	5~50	57.5	22.5	10	3/8	47.5	5	14	20	10	20	5	22.5	14.5	M6x1.0	1/4-20	10

\* Rod end nut and accessories detail: see p. 6.

\*\* Clevis pin and snap rings are included in the package.