

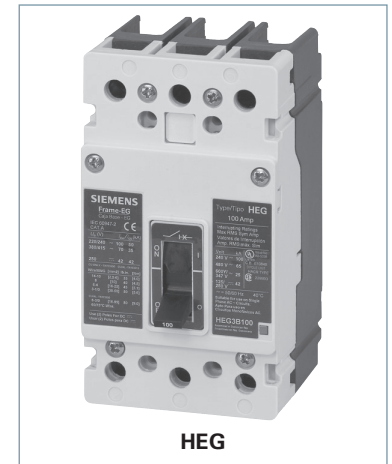
Molded Case Circuit Breakers

EG 125A Frame

Selection/Dimensions

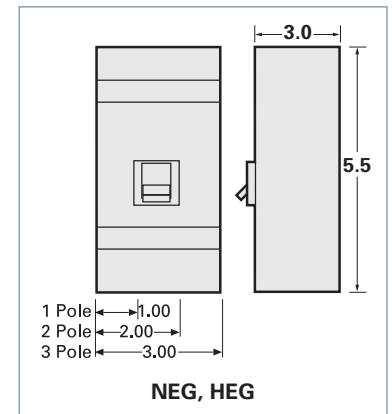
Type NEG (Cable In - Cable Out)

| Continuous Ampere Rating @ 40°C | 1-Pole | 2-Pole | 3-Pole | 4-Pole |
|---------------------------------|-------------------------|------------------------|----------------|----------------|
| | Catalog Number | Catalog Number | Catalog Number | Catalog Number |
| 15 | NEG1B015L ^{①②} | NEG2B015L ^② | NEG3B015L | NEG4B015L |
| 20 | NEG1B020L ^{①②} | NEG2B020L ^② | NEG3B020L | NEG4B020L |
| 25 | NEG1B025L ^② | NEG2B025L ^② | NEG3B025L | NEG4B025L |
| 30 | NEG1B030L ^② | NEG2B030L ^② | NEG3B030L | NEG4B030L |
| 35 | NEG1B035L ^② | NEG2B035L ^② | NEG3B035L | NEG4B035L |
| 40 | NEG1B040L ^② | NEG2B040L ^② | NEG3B040L | NEG4B040L |
| 45 | NEG1B045L ^② | NEG2B045L ^② | NEG3B045L | NEG4B045L |
| 50 | NEG1B050L ^② | NEG2B050L ^② | NEG3B050L | NEG4B050L |
| 60 | NEG1B060L | NEG2B060L | NEG3B060L | NEG4B060L |
| 70 | NEG1B070L | NEG2B070L | NEG3B070L | NEG4B070L |
| 80 | NEG1B080L | NEG2B080L | NEG3B080L | NEG4B080L |
| 90 | NEG1B090L | NEG2B090L | NEG3B090L | NEG4B090L |
| 100 | NEG1B100L | NEG2B100L | NEG3B100L | NEG4B100L |
| 110 | NEG1B110L | NEG2B110L | NEG3B110L | NEG4B110L |
| 125 | NEG1B125L | NEG2B125L | NEG3B125L | NEG4B125L |



Type HEG (Cable In - Cable Out)

| Continuous Ampere Rating @ 40°C | 1-Pole | 2-Pole | 3-Pole | 4-Pole |
|---------------------------------|-------------------------|------------------------|----------------|----------------|
| | Catalog Number | Catalog Number | Catalog Number | Catalog Number |
| 15 | HEG1B015L ^{①②} | HEG2B015L ^② | HEG3B015L | HEG4B015L |
| 20 | HEG1B020L ^{①②} | HEG2B020L ^② | HEG3B020L | HEG4B020L |
| 25 | HEG1B025L ^② | HEG2B025L ^② | HEG3B025L | HEG4B025L |
| 30 | HEG1B030L ^② | HEG2B030L ^② | HEG3B030L | HEG4B030L |
| 35 | HEG1B035L ^② | HEG2B035L ^② | HEG3B035L | HEG4B035L |
| 40 | HEG1B040L ^② | HEG2B040L ^② | HEG3B040L | HEG4B040L |
| 45 | HEG1B045L ^② | HEG2B045L ^② | HEG3B045L | HEG4B045L |
| 50 | HEG1B050L ^② | HEG2B050L ^② | HEG3B050L | HEG4B050L |
| 60 | HEG1B060L | HEG2B060L | HEG3B060L | HEG4B060L |
| 70 | HEG1B070L | HEG2B070L | HEG3B070L | HEG4B070L |
| 80 | HEG1B080L | HEG2B080L | HEG3B080L | HEG4B080L |
| 90 | HEG1B090L | HEG2B090L | HEG3B090L | HEG4B090L |
| 100 | HEG1B100L | HEG2B100L | HEG3B100L | HEG4B100L |
| 110 | HEG1B110L | HEG2B110L | HEG3B110L | HEG4B110L |
| 125 | HEG1B125L | HEG2B125L | HEG3B125L | HEG4B125L |



Line and load lugs are included as standard.
HACR rated.
Suitable for screw mounting.

Shipping Weights

| Number of Poles | Number per Carton | Shipping Weight lbs. (kg) |
|-----------------|-------------------|---------------------------|
| 1 | 1 | 1.1 (0.5) |
| 2 | 1 | 2.0 (0.9) |
| 3 | 1 | 3.1 (1.4) |
| 4 | 1 | 3.9 (1.8) |

Lugs For 60/75°C Wire

| NEG/HEG | | |
|----------------------|--|----------------------------------|
| Ampere Rating | Wire Size | Catalog Number |
| 15-125A | #14 - 3/0 AWG Cu (steel lugs) | 3TW1EG30 (qty. 3) |
| 15-125A ^② | #14 - 1/0 AWG Cu #14 - 1/0 AWG Al | 3TA1EG10 (qty. 3) |
| 15-125A ^② | #6 - 3/0 AWG Cu #6 - 3/0 AWG Al | 3TA1EG30 (qty. 3) |
| 15-125A | Nut Keeper plate w/ screw (for crimp terminals) | TNKE3 (3-Pole) TNKE4 (4-Pole) |

Interrupting Ratings

| Breaker Type | Number of Poles | UL 489 AIR | | | | | | IEC 60947-2 | | | | | | |
|--------------|-----------------|------------------------------|----|----|----------|-----------------|----|--------------------|-----|---------|----|----------|----|----|
| | | RMS Symmetrical Amperes (KA) | | | | | | Volts AC (50/60Hz) | | | | | | |
| | | Volts AC(50/60Hz) | | | Volts DC | | | 220/240 | | 380/415 | | Volts DC | | |
| NEG | 1 | 85 | 35 | 22 | — | — | 35 | — | 85 | 43 | — | — | 35 | — |
| | 2, 3, 4 | 85 | — | — | 35 | 22 ^③ | — | 35 | 85 | 43 | 40 | 20 | — | 35 |
| HEG | 1 | 100 | 65 | 25 | — | — | 42 | — | 100 | 50 | — | — | 42 | — |
| | 2, 3, 4 | 100 | — | — | 65 | 25 ^③ | — | 42 | 100 | 50 | 70 | 35 | — | 42 |

For inches / millimeters conversion, see Application Data section.

① SWD rated.
② HID rated 277 VAC.

③ Applies to 3 & 4-pole breakers only.
④ Optional lugs for NEG and HEG breakers.

Accessories pages 7-44 and 7-95 to 7-100