

# Product data sheet

Specifications



power relay, Harmony  
electromechanical relays, DIN rail  
or panel mount relay, 30A, 2CO,  
230V AC

RPF2BP7

Product availability: Stock - Normally stocked in distribution facility

Price\*: 13.30 USD

## Main

Range Of Product	Harmony Electromechanical Relays
Series Name	Power
Product Or Component Type	DIN rail/panel mount relay
Device Short Name	RPF
Contacts Type And Composition	2 C/O
[Uc] Control Circuit Voltage	230 V AC 50/60 Hz
Control Type	Without lockable test button
Shape Of Pin	Flat
Contacts Material	Silver tin oxide
[Ithe] Conventional Enclosed Thermal Current	25 A -40...131 °F (-40...55 °C) relays side by side without a gap 30 A -40...131 °F (-40...55 °C) 13 mm gap between two relays
Resistive Rated Load	25 A 28 V DC 30 A 250 V AC
Utilisation Coefficient	10 %

## Complementary

Mounting Support	Panel DIN rail
Control Circuit Voltage Limits	184...253 V
[Ie] Rated Operational Current	30 A 277 V AC) NO UL 20 A 28 V DC) NO UL 30 A 250 V AC) NO IEC 25 A 28 V DC) NO IEC 3 A 277 V AC) NC UL 3 A 28 V DC) NC UL 3 A 250 V AC) NC IEC 3 A 28 V DC) NC IEC
[Ui] Rated Insulation Voltage	250 V IEC 300 V UL
[Uimp] Rated Impulse Withstand Voltage	4 kV 1.2/50 µs
Maximum Switching Voltage	250 V IEC
Maximum Switching Capacity	7500 VA/700 W
Minimum Recommended Switching Capacity	6000 mW 500 mA / 12 V NO 170 mW 10 mA / 6 V NC

Price is "List Price" and may be subject to a trade discount – check with your local distributor or retailer for actual price.

<b>Operating Rate</b>	<= 1200 cycles/hour under load <= 18000 cycles/hour no-load
<b>Mechanical Durability</b>	5000000 cycles
<b>Electrical Durability</b>	100000 cycles resistive
<b>Average Coil Consumption</b>	4 VA 60 Hz
<b>Drop-Out Voltage Threshold</b>	>= 0.15 Uc
<b>Operate Time</b>	25 ms
<b>Release Time</b>	25 ms
<b>Average Resistance</b>	15600 Ohm at 68 °F (20 °C) +/- 15 %
<b>Safety Reliability Data</b>	B10d = 100000
<b>Protection Category</b>	RT II
<b>Test Levels</b>	Level A group mounting
<b>Operating Position</b>	Any position
<b>Cad Overall Width</b>	1.33 in (33.7 mm)
<b>Cad Overall Height</b>	2.70 in (68.5 mm)
<b>Cad Overall Depth</b>	1.54 in (39.2 mm)
<b>Net Weight</b>	0.18 lb(US) (0.082 kg)
<b>Device Presentation</b>	Complete product

## Environment

<b>Dielectric Strength</b>	2000 V AC between poles with basic 4000 V AC between coil and contact with reinforced 1500 V AC between contacts with micro disconnection
<b>Standards</b>	UL 508 CSA C22.2 No 14 IEC 61810-1
<b>Product Certifications</b>	UL CE CSA GOST
<b>Ambient Air Temperature For Storage</b>	-40...185 °F (-40...85 °C)
<b>Ambient Air Temperature For Operation</b>	-40...131 °F (-40...55 °C)
<b>Vibration Resistance</b>	3 gn +/- 1 mm 10...150 Hz)5 cycles in operation 10 gn +/- 1 mm 10...150 Hz)5 cycles not operating
<b>Ip Degree Of Protection</b>	IP40 conforming to IEC 60529
<b>Shock Resistance</b>	10 gn in operation 30 gn not operating
<b>Pollution Degree</b>	3

## Ordering and shipping details

<b>Category</b>	US10CP221127
<b>Discount Schedule</b>	0CP2
<b>Gtin</b>	3389119401630
<b>Returnability</b>	Yes
<b>Country Of Origin</b>	US

## Packing Units

Unit Type Of Package 1	PCE
Number Of Units In Package 1	1
Package 1 Height	1.57 in (4.000 cm)
Package 1 Width	1.38 in (3.500 cm)
Package 1 Length	2.72 in (6.900 cm)
Package 1 Weight	3.17 oz (90.000 g)
Unit Type Of Package 2	BB1
Number Of Units In Package 2	10
Package 2 Height	1.57 in (4.000 cm)
Package 2 Width	7.87 in (20.000 cm)
Package 2 Length	5.71 in (14.500 cm)
Package 2 Weight	31.96 oz (906.000 g)
Unit Type Of Package 3	S02
Number Of Units In Package 3	60
Package 3 Height	5.91 in (15.000 cm)
Package 3 Width	11.81 in (30.000 cm)
Package 3 Length	15.75 in (40.000 cm)
Package 3 Weight	13.34 lb(US) (6.050 kg)

## Contractual warranty

Warranty	18 months
----------	-----------

## Sustainability

**Green Premium™ label** is Schneider Electric's commitment to delivering products with best-in-class environmental performance. Green Premium promises compliance with the latest regulations, transparency on environmental impacts, as well as circular and low-CO<sub>2</sub> products.

**Guide to assessing product sustainability** is a white paper that clarifies global eco-label standards and how to interpret environmental declarations.

[Learn more about Green Premium >](#)

[Guide to assess a product's sustainability >](#)



Transparency RoHS/REACH

## Well-being performance

Reach Free Of Svhc

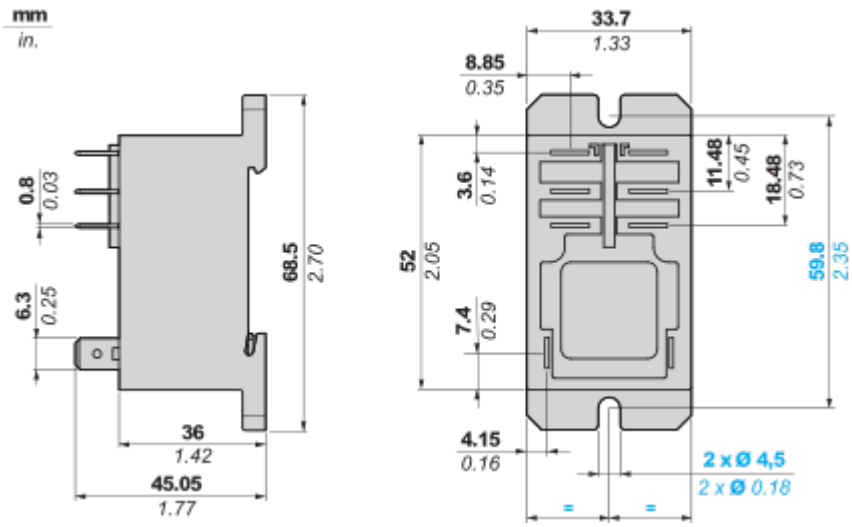
Rohs Exemption Information Yes

## Certifications & Standards

Reach Regulation	<a href="#">REACH Declaration</a>
Eu Rohs Directive	Pro-active compliance (Product out of EU RoHS legal scope)
China Rohs Regulation	<a href="#">China RoHS declaration</a>
Environmental Disclosure	<a href="#">Product Environmental Profile</a>
Weee	The product must be disposed on European Union markets following specific waste collection and never end up in rubbish bins.
Circularity Profile	No need of specific recycling operations
California Proposition 65	WARNING: This product can expose you to chemicals including: Nickel compounds, which is known to the State of California to cause cancer, and Di-isodecyl phthalate (DIDP), which is known to the State of California to cause birth defects or other reproductive harm. For more information go to <a href="http://www.P65Warnings.ca.gov">www.P65Warnings.ca.gov</a>

Dimensions Drawings

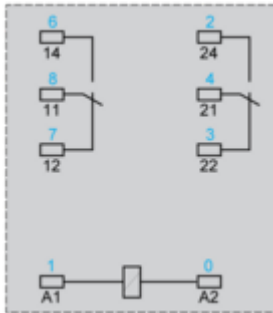
Dimensions



## Connections and Schema

### Wiring Diagram

---



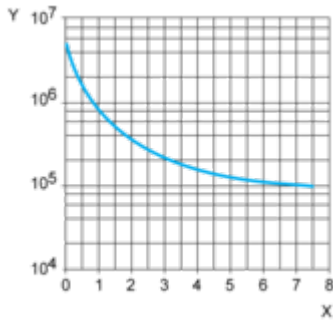
Symbols shown in blue correspond to Nema marking.

Performance Curves

Electrical Durability of Contacts

---

AC Resistive load

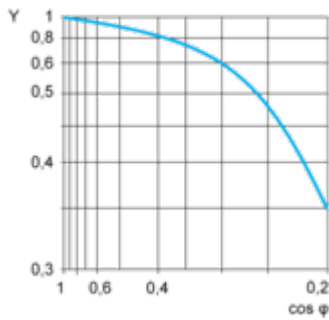


X Switching capacity (kVA)

Y Durability (number of operating cycles)

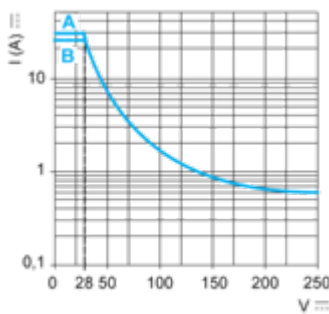
AC Reduction coefficient for inductive load (depending on power factor cos φ)

Durability (inductive load) = durability (resistive load) x reduction coefficient.



Y reduction coefficient

Maximum switching capacity on DC resistive load



A 30 A

B 25 A

Note : These are typical curves, actual durability depends on load, environment, duty cycle, etc.