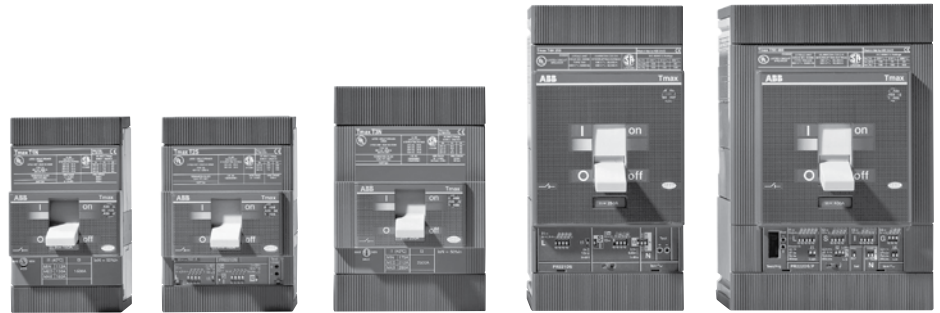


# Tmax Molded case circuit breakers



## Tmax Molded case circuit breakers



### Introduction

ABB is once again demonstrating its commitment to new product development and its superiority in product technology. Never before has the industry seen such high performance, versatility and standardization in a range of molded case circuit breakers.

The ABB Tmax line of circuit breakers, with a range up to 3000A, has several key features that go along with its very small size:

- Double insulation – this construction characteristic allows for the UL Listed field installation of internal accessories without exposure to energized parts.
- Complete range of electrical and mechanical accessories
- Positive operation – breakers from ABB ensure that the toggle indicates the precise position of the moving contacts. This guarantees safe and reliable signaling by the device.
- Installation – Tmax molded case circuit breakers can be installed in panels and switchboards in either the horizontal or vertical planes while being fed from either end without any derating of their performance characteristics.
- Interrupting ratings at 480VAC up to 150kAIC.
- Compact size
- All Tmax molded case circuit breakers are UL Listed and IEC rated for global application and acceptance.
- All versions of the Tmax family are suitable for reverse feed applications.

The ABB Tmax product line has the performance and accessories to satisfy all industry requirements in the 600VAC to 600VDC ranges.

### Frame sizes – Nine basic sizes

The ABB Tmax series includes nine basic frame sizes as well as the T1 single pole with the range rated from 15A to 3000A at 480VAC. The various versions carry the following interrupting capacities:

- **B** Basic breaking capacity
- **N** Normal breaking capacity
- **S** Standard breaking capacity
- **H** High breaking capacity
- **L** Extra high breaking capacity
- **V** Very high breaking capacity

### Derived versions

- Thermal magnetic
- Electronic
- Molded case switches
- Motor circuit protectors (MCPs)
- Direct current (DC) rated

### ABB Tmax versions

- Fixed: all models
- Drawout or plug-in: T2, T3, Ts3, T4, T5, T6, T7 & T7M
- UL File #E93565 (breakers and MCPs)  
#E116596 (Accessories)  
#E116595 (Molded case switches)

## Selection Guide

### Circuit breakers for power distribution

#### T1 – Ts3



T1 1P



T1



T2



T3



Ts3

Type		Tmax T1 1p	Tmax T1	Tmax T2		Tmax T3		Tmax Ts3			Tmax Ts3				
Frame size	[A]	100	100	100		225		150			225				
Number of poles	[Nr]	1	3-4	3-4		3-4		2-3-4			2-3-4				
Rated voltage	AC (50-60Hz)	[V]	347	600Y/347		480		600Y/347		600			480		
	DC	[V]		500				500		600			500		
Interrupting ratings			B	N		S H		N S		N H L			N H L		
	240V AC	[kA rms]		50 ②		65 150		50 65		65 100 150			65 100 150		
	277V AC	[kA rms]	18 ①												
	347V AC	[kA rms]	14 ①												
	480V AC	[kA rms]		22 ②		35 65		25 35		25 50 85 ⑤			25 50 65		
	600Y/347V AC	[kA rms]		10				10 10							
	600V AC	[kA rms]								14 14 25					
	250V DC (2 poles in series)	[kA rms]		25				25 35							
500V DC (3 poles in series)	[kA rms]		25				25 35								
500V DC (2 poles in series)	[kA rms]								35 50 65			20 35 50			
600V DC (3 poles in series)	[kA rms]								20 35 50						
Trip units	TMF		■	■		■		■		■			■		
	TMD/TMA														
	ELT					■									
	MA					■		■		■			■		
	Electronic					■									
Dimensions	H	[in/mm]	5.12/130	5.12/130		5.12/130		5.9/150		6.7/170			6.7/170		
	W 3p	[in/mm]	1/25.4	3/76		3.54/90		4.13/105		4.13/105			4.13/105		
	D	[in/mm]	2.76/70	2.76/70		2.76/70		2.76/70		4.07/103.5			4.07/103.5		
Mechanical life	[No. operations]	25000	25000		25000		25000		25000			25000			

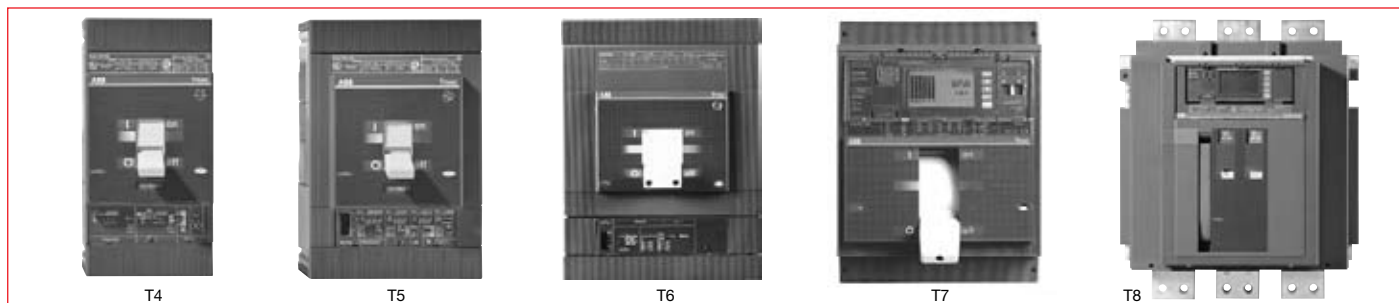
① In15A = 10kA@277VAC 10kA@347VAC  
 ② In15A = 35kA@240VAC 14kA@480Y/277 VAC  
 ③ T5 600 with electronic trip units only and in three pole version  
 ④ 2p breakers: available only in N interrupting rating  
 ⑤ In from 15A up to 30A=65kA@480V AC

# Selection Guide

## Circuit breakers for power distribution

### T4 – T8

Tmax  
MCCBs



Type		Tmax T4	Tmax T5	Tmax T6	Tmax T7/T7M	Tmax T8	
Frame size	[A]	250	400-600 ③	800	1000-1200	1600, 2000, 2500 & 3000	
Number of poles	[Nr]	2-3-4 ④	2-3-4 ④	3-4	3-4	3-4	
Rated voltage	AC (50-60Hz)	[V]	600	600	600	600	
	DC	[V]	600	600	600	600	
Interrupting ratings		N S H L V	N S H L V	N S H L	S H L	V	
	240V AC	[kA rms]	65 100 150 200 200	65 100 150 200 200	65 100 200 200	65 100 150	125
	277V AC	[kA rms]					
	347V AC	[kA rms]					
	480V AC	[kA rms]	25 35 65 100 150	25 35 65 100 150	35 50 65 100	50 65 100	125
	600Y/347V AC	[kA rms]					
	600V AC	[kA rms]	18 25 35 65 100	18 25 35 65 100	20 25 35 42	25 50 65	100
	250V DC (2 poles in series)	[kA rms]					
500V DC (3 poles in series)	[kA rms]						
500V DC (2 poles in series)	[kA rms]	25 35 50 65 100	25 35 50 65 100	35 35 50 65			
600V DC (3 poles in series)	[kA rms]	16 25 35 50 65	16 25 35 50 65	20 20 35 50			
Trip units	TMF	■					
	TMD/TMA	■	■	■			
	ELT						
	MA						
	Electronic	■	■	■	■		
Dimensions	H	[in/mm]	8.07/205	8.07/205	10.55/268	10.55/268	15 / 382
	W 3p	[in/mm]	4.13/105	5.51/140	8.26/210	8.26/210	16.8 / 427
	D	[in/mm]	4.07/103.5	4.07/103.5	4.07/103.5	6.06/154 (toggle) 7/178 (motor)	11.2 / 282
Mechanical life	[No. operations]	20,000	20,000	20,000	10,000	15,000	

① In15A = 10kA@277 VAC 10kA@347 VAC  
 ② In15A = 35kA@240 VAC 14kA@480Y/277 VAC  
 ③ T5 600 with electronic trip units only and in three pole version-  
 ④ 2p T4N250 and T5N400 available only in N interrupting capacity.  
 ⑤ In from 15A up to 30A=65kA@480 VAC  
 ⑥ Applies to MCS only.

## General information

### Catalog number explanation

**T3 S 080 T W - 4 xxx**

● **Accessories (added in alpha-numeric order) ①**

- A** = Auxiliary Switch
- S\_** = Shunt trip with voltage code
- U\_** = Undervoltage release with voltage code

● **Number of poles**

- 1 = 1 pole (T1 only)
- 2 = 2 pole
- 4 = 4 pole
- None** = 3 pole

● **Type connectors**

- W** = None
- L** = Lugs included

● **Trip unit function**

- B** = LS/I (AC only)
- D** = Molded Case Switch (MCS)
- T** = Thermal-magnetic
- M** = Magnetic only (MCP)
- E5** = Electronic MCP (AC only)
- C** = LSI (AC only)
- E** = LSIG (AC only)

● **Current rating**

- 015** = 15A
- 080** = 80A
- 100** = 100A
- 225** = 225A
- 250** = 250A
- 400** = 400A
- 600** = 600A
- 800** = 800A
- 1200** = 1200A

● **Interrupting rating class**

- B** = Basic
- N** = Normal
- S** = Standard
- H** = High
- L** = Extra High
- V** = Very high

● **Frame size**

- T1** = 100A
- T2** = 100A
- T3** = 225A
- Ts3** = 225A
- T4** = 250A
- T5** = 400A, 600A
- T6** = 600A, 800A
- T7** = 1000A, 1200A (toggle)



① Consult ABB for factory installed accessories.

# T1

## 100A, 600Y/347V, 480V Δ

### Thermal-magnetic

Tmax  
MCCBs



**Dimensions** 3P Fixed Version 5.12H x 3.00W x 2.76D  
**Weight** 2.34 (lbs)

#### General

The T1 breaker family ranges from 15 through 100 amperes. The T1 trip units are non-interchangeable and use the very latest technology in electromagnetic relays for overcurrent trip protection. Thermal overload protection is provided by heat sensitive bimetals. Short circuit protection for the breaker is accomplished using a precise magnetic coil. State of the art construction in contacts and arcing chambers aid in limiting damaging fault currents through the protected circuits.

#### Standards

The UL489/CSA 22.2 version of T1 also carries an IEC-60947-2 rating.

#### Versions

The T1 frame is available in two versions:

- T = Thermal-magnetic, fixed
- D = Molded case switch

#### Performance levels

The T1 breaker has two performance levels available:

- B = Basic single pole
- N = Normal three pole

#### Number of poles

The T1 molded case circuit breaker is available in single, three and four pole versions. Estimate 4 pole pricing by adding 35% to the 3 pole price and contact your ABB sales person for details.

#### Molded case switches

UL489 switches include no overcurrent protection except for a high instantaneous trip mechanism for self protection.

#### UL489 / CSA C22.2 Interrupting capacity (kA RMS)

Voltage	Continuous rating	B (1 pole)	N
240VAC	15 – 100A	—	50 ①
347VAC	15A 20 – 100A	10 14	— —
480VAC Δ	15A ② 20 – 100A	— —	14 22
600Y/347VAC	15 – 100A	—	10
250VDC 2 pole series	15 – 100A	—	25
500VDC 3 pole series	15 – 100A	—	25

#### IEC 60947-2 Interrupting capacity (kA RMS)

Voltage	Continuous rating	B (1 pole)	N
230VAC	15 – 100A	25 ③	50
415VAC	15 – 100A	—	36
690VAC	15 – 100A	—	6
500VDC 2 pole series	15 – 100A	—	36

① In 15A 35kA @ 240VAC.  
 ② 15A available in 480Y/277 VAC only.  
 ③ Interrupting capacity for 16-20A is 16kA

# T1

## 100A, 600Y/347V, 480V Δ

### Thermal-magnetic/Molded Case Switch

#### T1B TMF — Single pole thermal magnetic fixed ①

Breaker	IC at 277VAC	Rating	Magnetic trip	1 pole, 277VAC catalog number	List price
T1B	10kA	15A	1000A	T1B015TL-1	<b>\$ 230</b>
		20A	1000A	T1B020TL-1	
	25A	1000A	T1B025TL-1		
	30A	1000A	T1B030TL-1		
	40A	1000A	T1B040TL-1		
	50A	1500A	T1B050TL-1		
	18kA	60A	1500A	T1B060TL-1	<b>262</b>
		70A	1500A	T1B070TL-1	
		80A	1500A	T1B080TL-1	
		90A	1500A	T1B090TL-1	
		100A	1500A	T1B100TL-1	

#### T1N TMF — 3 pole thermal magnetic fixed

Breaker	IC at 480VAC	Rating	Magnetic trip	3 pole, 600Y/347VAC/500VDC catalog number	List price
T1N	14kA	15A	1000A	T1N015TL ②	<b>\$ 402</b>
		20A	1000A	T1N020TL	
	25A	1000A	T1N025TL		
	30A	1000A	T1N030TL		
	40A	1000A	T1N040TL		
	50A	1500A	T1N050TL		
	22kA	60A	1500A	T1N060TL	<b>479</b>
		70A	1500A	T1N070TL	
		80A	1500A	T1N080TL	
		90A	1500A	T1N090TL	
		100A	1500A	T1N100TL	

#### T1N TMF — 100% Rated thermal-magnetic

Breaker	IC at 480VAC	Rating	Magnetic trip	3 pole 600Y/347 500VDC catalog number	List price
T1N	14kA	15 ①	1000A	T1NQ015TL	<b>\$ 442</b>
		20	1000A	T1NQ020TL	
	25	1000A	T1NQ025TL		
	30	1000A	T1NQ030TL		
	40	1000A	T1NQ040TL		
	50	1500A	T1NQ050TL		
	22kA	60	1500A	T1NQ060TL	<b>527</b>
		70	1500A	T1NQ070TL	
		80	1500A	T1NQ080TL	
		90	1500A	T1NQ090TL	
		100	1500A	T1NQ100TL	

#### T1N-D — Molded case switch

Breaker	Interrupting capacity ③	Rating	Magnetic trip	480VAC/500VDC catalog number	List price
T1-D	240V, 50kA	100A	1000A	T1N100DL	<b>\$ 431</b>

① Electrical/mechanical accessories cannot be installed on single pole breakers.

② Rated 480Y/277 VAC for 15A.

③ When protected by a OCPD with appropriate ratings.

## T2

### 100A, 480V Δ

### Thermal-magnetic/electronic/current limiting



T2

**Dimensions** 3P Fixed Version 5.12H x 3.54W x 2.76D

**Weight** 2.84 (lbs)

#### General

The T2 breaker family ranges from 15 through 100 amperes. The T2 trip units are non-interchangeable and use the very latest technology in electromagnetic relays for overcurrent trip protection as well as a version with microprocessor-based electronic trip unit. Thermal overload protection is provided by heat sensitive bimetals. State of the art construction in contacts and arcing chambers aid in limiting damaging fault currents through the protected circuits.

#### Standards

The UL489/CSA 22.2 version of T2 also carries an IEC-60947-2 rating.

#### Versions

The T2 frame is available in four versions:

- T = Thermal-magnetic, fixed
- B = Adjustable LS/I electronic
- M = Magnetic only (MCP)
- E5 = Electronic instantaneous only (MCP)

#### Trip functions

These tripping functions are available:

- L = Long time
- S = Short time
- I - Instantaneous

#### Performance levels

The T2 breaker has two performance levels available:

- S = Standard
- H = High - UL Current Limiting

#### Number of poles

The T2 is available in three and four pole versions. Estimate 4 pole pricing by adding 35% to the 3 pole price and contact your ABB sales person for details.

#### UL489 / CSA C22.2 Interrupting capacity (kA RMS)

Voltage	Continuous rating	S	H
240VAC	15 – 100A	65	150
480VAC Δ	15 – 100A	35	65

#### IEC 60947-2 Interrupting capacity (kA RMS)

Voltage	Continuous rating	S	H
230VAC	15 – 100A	85	100
415VAC	15 – 100A	50	70
690VAC	15 – 100A	7	8
500VDC 2 pole series	15 – 100A	50	70

## T2

### 100A, 480V Δ

### Thermal-magnetic/current limiting

#### T2 – 100A TMF thermal magnetic fixed

Breaker	IC at 480VAC	Rating	Magnetic trip	3 pole, 480VAC catalog number	List price
T2S	35kA	15A	500A	T2S015TW	<b>\$ 690</b>
		20A	500A	T2S020TW	
		25A	500A	T2S025TW	
		30A	500A	T2S030TW	
		40A	500A	T2S040TW	
		50A	500A	T2S050TW	
		60A	600A	T2S060TW	
		70A	700A	T2S070TW	<b>793</b>
		80A	800A	T2S080TW	
		90A	900A	T2S090TW	
		100A	1000A	T2S100TW	

Breaker	IC at 480VAC	Rating	Magnetic trip	3 pole, 480VAC catalog number	List price
T2H UL Current Limiting	65kA	15A	500A	T2H015TW	<b>\$ 942</b>
		20A	500A	T2H020TW	
		25A	500A	T2H025TW	
		30A	500A	T2H030TW	
		40A	500A	T2H040TW	
		50A	500A	T2H050TW	
		60A	600A	T2H060TW	
		70A	700A	T2H070TW	<b>1,153</b>
		80A	800A	T2H080TW	
		90A	900A	T2H090TW	
		100A	1000A	T2H100TW	

#### T2 – 100A TMF, 100% rated thermal magnetic fixed

Breaker	IC at 480VAC	Rating	Magnetic trip	3 pole, 480VAC catalog number	List price
T2S	35kA	15A	500A	T2SQ015TW	<b>\$ 760</b>
		20A	500A	T2SQ020TW	
		25A	500A	T2SQ025TW	
		30A	500A	T2SQ030TW	
		40A	500A	T2SQ040TW	
		50A	500A	T2SQ050TW	
		60A	600A	T2SQ060TW	
		70A	700A	T2SQ070TW	<b>872</b>
		80A	800A	T2SQ080TW	
		90A	900A	T2SQ090TW	
		100A	1000A	T2SQ100TW	

16

Breaker	IC at 480VAC	Rating	Magnetic trip	3 pole, 480VAC catalog number	List price
T2H UL Current Limiting	65kA	15A	500A	T2HQ015TW	<b>\$ 1,025</b>
		20A	500A	T2HQ020TW	
		25A	500A	T2HQ025TW	
		30A	500A	T2HQ030TW	
		40A	500A	T2HQ040TW	
		50A	500A	T2HQ050TW	
		60A	600A	T2HQ060TW	
		70A	700A	T2HQ070TW	<b>1,268</b>
		80A	800A	T2HQ080TW	
		90A	900A	T2HQ090TW	
		100A	1000A	T2HQ100TW	

NOTE: See pages 16.57 - 16.70 for electrical/mechanical accessories.



## T2

### 100A, 480V Δ, 100% rated

### Electronic/Current limiting/MCP



#### T2 – 100A Frame, electronic trip unit (AC only)

Breaker	IC at 480VAC	Trip unit type	CT rating	3 pole, 480VAC catalog number	List price
T2S	35kA	PR221DS-LS/I	25A	T2S025BW	<b>\$ 1,240</b>
			60A	T2S060BW	<b>1,240</b>
			100A	T2S100BW	<b>1,343</b>
T2H UL Current Limiting	65kA	PR221DS-LS/I	25A	T2H025BW	<b>1,492</b>
			60A	T2H060BW	<b>1,492</b>
			100A	T2H100BW	<b>1,703</b>

#### T2 – 100A Frame 100% rated, electronic trip unit (AC only)

Breaker	IC at 480VAC	Trip unit type	CT rating	3 pole, 480VAC catalog number	List price
T2S	35kA	PR221DS-LS/I	25A	T2SQ025BW	<b>\$ 1,363</b>
			60A	T2SQ060BW	
			100A	T2SQ100BW	<b>1,477</b>
T2H UL Current Limiting	65kA	PR221DS-LS/I	25A	T2HQ025BW	<b>1,640</b>
			60A	T2HQ060BW	
			100A	T2HQ100BW	<b>1,873</b>

#### T2 – 100A Frame, instantaneous only (MCP)

Breaker	IC at 480VAC	Trip unit type	Rating	Adjustment range	3 pole, 480VAC catalog number	List price
T2S	35kA	Mag only	20A	120 - 240	T2S020MW	<b>\$ 598</b>
			50A	300 - 600	T2S050MW	<b>670</b>
			100A	600 - 1200	T2S100MW	<b>804</b>
T2H	65kA	Mag only	20A	120 - 240	T2H020MW	<b>673</b>
			50A	300 - 600	T2H050MW	<b>754</b>
			100A	600 - 1200	T2H100MW	<b>904</b>

#### T2 – 100A Frame, instantaneous only, electronic (MCP - AC only)

Breaker	IC at 480VAC	Trip unit type	Rating	Adjustment range	3 pole, 480VAC catalog number	List price
T2S	35kA	Instantaneous only	25A	25 - 250	T2S025E5W	<b>\$ 1,178</b>
			60A	60 - 600	T2S060E5W	<b>1,178</b>
			100A	100 - 1000	T2S100E5W	<b>1,276</b>
T2H	65kA	Instantaneous only	25A	25 - 250	T2H025E5W	<b>1,417</b>
			60A	60 - 600	T2H060E5W	<b>1,417</b>
			100A	100 - 1000	T2H100E5W	<b>1,618</b>

NOTE: See pages 16.57 - 16.70 for electrical/mechanical accessories.

## T3

### 225A, 600Y/347V, 480V Δ

### Thermal-magnetic



T3

**Dimensions** 3P Fixed Version 5.9H x 4.13W x 2.76D

**Weight** 5.45 (lbs)

#### General

The T3 breaker family ranges from 60 through 225 amperes. The T3 trip units are non-interchangeable and use the very latest technology in electromagnetic relays for overcurrent trip protection. Thermal overload protection is provided by heat sensitive bimetals. Short circuit protection begins at 10 times the thermal rating of the breaker using a precise magnetic coil. State of the art construction in contacts and arcing chambers aid in limiting damaging fault currents through the protected circuits.

#### Standards

The UL489/CSA 22.2 version of T3 also carries an IEC-60947-2 rating.

#### Versions

The T3 frame is available in three versions:

- T = Thermal-magnetic, fixed
- M = Magnetic only (MCP)
- D = Molded case switch

#### Performance levels

The T3 breaker has two performance levels available:

- N = Normal
- S = Standard

#### Number of poles

The T3 molded case circuit breaker is available in three and four pole versions. Estimate 4 pole pricing by adding 35% to the 3 pole price and contact your ABB sales person for details.

#### UL489 / CSA C22.2 Interrupting capacity (kA RMS)

Voltage	Continuous rating	N	S
240VAC	60 – 225A	50	65
480VAC Δ	60 – 225A	25	35
600Y/347VAC	60 – 225A	10	10
250VDC 2 pole series	60 – 225A	25	35
500VDC 3 pole series	60 – 225A	25	35

#### IEC 60947-2 Interrupting capacity (kA RMS)

Voltage	Continuous rating	N	S
230VAC	60 – 225A	50	85
415VAC	60 – 225A	36	50
690VAC	60 – 225A	5	8
750VDC 3 pole series	60 – 225A	36	50

#### Molded case switches

UL489 switches include no overcurrent protection except for a high instantaneous trip mechanism for self protection.

# T3

## 225A, 600Y/347V, 480V Δ

### Thermal-magnetic

Tmax  
MCCBs

#### T3 – 225A Frame TMF, thermal magnetic fixed

Breaker	IC at 480VAC	Rating	Magnetic trip	3 pole, 480VAC/500VDC catalog number	List price
T3N	25kA	60A	600A	T3N060TW	<b>\$ 615</b>
		70A	700A	T3N070TW	<b>740</b>
		80A	800A	T3N080TW	
		90A	900A	T3N090TW	
		100A	1000A	T3N100TW	
		125A	1250A	T3N125TW	<b>1,560</b>
		150A	1500A	T3N150TW	
		175A	1750A	T3N175TW	
		200A	2000A	T3N200TW	<b>1,560</b>
		225A	2250A	T3N225TW	

Breaker	IC at 480VAC	Rating	Magnetic trip	3 pole, 480VAC/500VDC catalog number	List price
T3S	35kA	60A	600A	T3S060TW	<b>\$ 790</b>
		70A	700A	T3S070TW	<b>970</b>
		80A	800A	T3S080TW	
		90A	900A	T3S090TW	
		100A	1000A	T3S100TW	
		125A	1250A	T3S125TW	<b>2,160</b>
		150A	1500A	T3S150TW	
		175A	1750A	T3S175TW	
		200A	2000A	T3S200TW	<b>2,160</b>
		225A	2250A	T3S225TW	

#### T3 – 225A Frame TMF, 100% rated thermal magnetic fixed

Breaker	IC at 480VAC	Rating	Magnetic trip	3 pole, 600/347V VAC/500VDC catalog number	List price
T3N	25kA	60A	600A	T3NQ060TW	<b>\$ 656</b>
		70A	700A	T3NQ070TW	<b>812</b>
		80A	800A	T3NQ080TW	
		90A	900A	T3NQ090TW	
		100A	1000A	T3NQ100TW	
		125A	1250A	T3NQ125TW	<b>1,717</b>
		150A	1500A	T3NQ150TW	
		175A	1750A	T3NQ175TW	
		200A	2000A	T3NQ200TW	<b>1,717</b>
		225A	2250A	T3NQ225TW	

Breaker	IC at 480VAC	Rating	Magnetic trip	3 pole, 600/347V VAC/500VDC catalog number	List price
T3S	35kA	60A	600A	T3SQ060TW	<b>\$ 778</b>
		70A	700A	T3SQ070TW	<b>1,065</b>
		80A	800A	T3SQ080TW	
		90A	900A	T3SQ090TW	
		100A	1000A	T3SQ100TW	
		125A	1250A	T3SQ125TW	<b>2,399</b>
		150A	1500A	T3SQ150TW	
		175A	1750A	T3SQ175TW	
		200A	2000A	T3SQ200TW	<b>2,399</b>
		225A	2250A	T3SQ225TW	

NOTE: See pages 16.57 - 16.70 for electrical/mechanical accessories.

## T3

225A, 600Y/347V, 480V Δ  
MCP/Molded case switch

### T3 – 225A Frame instantaneous only, (MCP)

Breaker	IC at 480VAC	Trip unit type	Rating	Adjustment range	3 pole, 480VAC catalog number	List price
T3S	35kA	Mag only	100A	600 – 1200	T3S100MW	<b>\$ 1,074</b>
			125A	750 - 1500	T3S125MW	<b>1,108</b>
			150A	900 - 1800	T3S150MW	<b>1,299</b>
			200A	1200 - 2400	T3S200MW	<b>1,382</b>

### T3S-D – Molded case switch

Breaker	Interrupting <sup>①</sup> capacity	Rating	Magnetic trip	3 pole, 480VAC/500VDC catalog number	List price
T3S-D	240V, 65kA 480V, 35kA	150A	1500A	T3S150DW	<b>\$ 1,078</b>
		225A	2250A	T3S225DW	<b>1,515</b>

NOTE: See pages 16.57 - 16.70 for electrical/mechanical accessories.

<sup>①</sup> When protected by a OCPD with appropriate ratings.

## Ts3

### 150A, 600V Δ, 225A, 480V Δ

### Thermal magnetic



Ts3

**Dimensions** 3P Fixed Version 6.7H x 4.13W x 4.07D  
**Weight** 6.75 (lbs)

#### General

The Ts3 breaker family ranges from 15 through 225 amperes. The Ts3 trip mechanisms are non-interchangeable and use sensitive electromagnetic relays for overcurrent trip protection. Heat sensitive bimetals are used for thermal overcurrent protection. Short circuit current protection begins at 10 times the thermal rating of the breaker and uses a magnetic coil principle.

#### Standards

The UL489/CSA 22.2 version of Ts3 also carries an IEC-60947-2 rating.

#### Versions

To meet all application needs, the Ts3 is available in various versions:

- T = Thermal-magnetic
- D = Molded case switch
- M = Magnetic only (MCP)

#### Performance level

Each version is also available in different maximum fault interrupting levels

- N = Normal
- H = High
- L = Extra high

#### Number of poles

The Ts3 is available in two, three and four pole versions. Estimate 4 pole pricing by adding 35% to the 3 pole price and contact your ABB sales person for details.

#### Molded case switches

UL489 switches include no overcurrent protection except for a high instantaneous trip mechanism for self protection.

#### UL/CSA Interrupting capacity (kA RMS) UL489 / CSA C22.2

Voltage	N	H	L
<b>150AF, 15A-150A</b>			
240 VAC	65	100	150
480 VAC	25	50	85 <sup>Ⓞ</sup>
600 VAC	14	14	25
500 VDC	35	50	65
600 VDC	20	35	50

Voltage	N	H	L
<b>225AF, 175A-225A</b>			
240 VAC	65	100	150
480 VAC	25	50	65
600 VAC	–	–	–
500 VDC	20	35	50
600 VDC	–	–	–

Voltage	N	H	L
<b>IEC-60947-2 Interrupting capacity (kA RMS)</b>			
230 VAC	65	100	170
415 VAC	35	65	85
690 VAC	14	18	20
750 VDC <sup>②</sup>	20	35	50

Ⓞ 15-30A are 65kA at 480VAC

## Ts3

### 150A, 600V Δ, 225A, 480V Δ

#### Thermal magnetic

### Ts3

#### 150A 600VAC/225A 480VAC

#### Thermal Magnetic Trip Units

Breaker	IC at 480VAC kA	Rating	Magnetic trip	2 pole, 600VAC/500VDC catalog number	List price	3 pole, 600VAC/DC catalog number	List price
Ts3N	25	15A	500A	Ts3N015TW-2	<b>\$ 814</b>	Ts3N015TW	<b>\$ 958</b>
		20A	500A	Ts3N020TW-2		Ts3N020TW	
		25A	500A	Ts3N025TW-2		Ts3N025TW	
		30A	500A	Ts3N030TW-2		Ts3N030TW	
		35A	500A	Ts3N035TW-2		Ts3N035TW	
		40A	500A	Ts3N040TW-2		Ts3N040TW	
		50A	500A	Ts3N050TW-2	Ts3N050TW		
		60A	600A	Ts3N060TW-2	Ts3N060TW		
		70A	700A	Ts3N070TW-2	<b>948</b>	Ts3N070TW	<b>1,115</b>
		80A	800A	Ts3N080TW-2		Ts3N080TW	
		90A	900A	Ts3N090TW-2		Ts3N090TW	
		100A	1000A	Ts3N100TW-2		Ts3N100TW	
		125A	1250A	Ts3N125TW-2	<b>1,471</b>	Ts3N125TW	<b>1,610</b>
		150A	1500A	Ts3N150TW-2		Ts3N150TW	

Breaker	IC at 480VAC kA	Rating	Magnetic trip	2 pole, 600VAC/500VDC catalog number	List price	3 pole, 600VAC/DC catalog number	List price
Ts3H	50	15A	500A	Ts3H015TW-2	<b>\$ 939</b>	Ts3H015TW	<b>\$ 1,105</b>
		20A	500A	Ts3H020TW-2		Ts3H020TW	
		25A	500A	Ts3H025TW-2		Ts3H025TW	
		30A	500A	Ts3H030TW-2		Ts3H030TW	
		35A	500A	Ts3H035TW-2		Ts3H035TW	
		40A	500A	Ts3H040TW-2		Ts3H040TW	
		50A	500A	Ts3H050TW-2	Ts3H050TW		
		60A	600A	Ts3H060TW-2	Ts3H060TW		
		70A	700A	Ts3H070TW-2	<b>1,071</b>	Ts3H070TW	<b>1,260</b>
		80A	800A	Ts3H080TW-2		Ts3H080TW	
		90A	900A	Ts3H090TW-2		Ts3H090TW	
		100A	1000A	Ts3H100TW-2		Ts3H100TW	
		125A	1250A	Ts3H125TW-2	<b>2,323</b>	Ts3H125TW	<b>2,733</b>
		150A	1500A	Ts3H150TW-2		Ts3H150TW	

16

Breaker	IC at 480VAC kA	Rating	Magnetic trip	2 pole, 600VAC/500VDC catalog number	List price	3 pole, 600VAC/DC catalog number	List price		
Ts3L	65	15A	500A	Ts3L015TW-2	<b>\$ 1,518</b>	Ts3L015TW	<b>\$ 1,786</b>		
		20A	500A	Ts3L020TW-2		Ts3L020TW			
		25A	500A	Ts3L025TW-2		Ts3L025TW			
		30A	500A	Ts3L030TW-2		Ts3L030TW			
		35A	500A	Ts3L035TW-2		Ts3L035TW			
	85	40A	500A	Ts3L040TW-2	<b>1,518</b>	Ts3L040TW	<b>1,786</b>		
		50A	500A	Ts3L050TW-2		Ts3L050TW			
		60A	600A	Ts3L060TW-2		Ts3L060TW			
		70A	700A	Ts3L070TW-2		Ts3L070TW			
		80A	800A	Ts3L080TW-2		<b>1,692</b>		Ts3L080TW	<b>1,990</b>
		90A	900A	Ts3L090TW-2				Ts3L090TW	
		100A	1000A	Ts3L100TW-2				Ts3L100TW	
		125A	1250A	Ts3L125TW-2				<b>3,636</b>	
		150A	1500A	Ts3L150TW-2		Ts3L150TW			

NOTE: See pages 16.57 - 16.70 for electrical/mechanical accessories.

## Ts3

### 150A, 600V Δ, 225A, 480V Δ, 100% rated

### Thermal magnetic

Tmax  
MCCBs

#### Ts3

#### 150A 600VAC/225A 480VAC

Thermal Magnetic Trip Units 100% Rated

Breaker	IC at 480VAC	Rating	Magnetic trip	3 pole 600VAC/DC catalog number	List price
Ts3NQ	25	15A	500A	Ts3NQ015TW	<b>\$ 1,054</b>
		20A	500A	Ts3NQ020TW	
		25A	500A	Ts3NQ025TW	
		30A	500A	Ts3NQ030TW	
		35A	500A	Ts3NQ035TW	
		40A	500A	Ts3NQ040TW	
		50A	500A	Ts3NQ050TW	<b>1,227</b>
		60A	600A	Ts3NQ060TW	
		70A	700A	Ts3NQ070TW	
		80A	800A	Ts3NQ080TW	<b>1,771</b>
		90A	900A	Ts3NQ090TW	
		100A	1000A	Ts3NQ100TW	
		125A	1250A	Ts3NQ125TW	
		150A	1500A	Ts3NQ150TW	

Breaker	IC at 480VAC	Rating	Magnetic trip	3 pole catalog number	List price
Ts3HQ	50kA	15A	500A	Ts3HQ015TW	<b>\$ 1,216</b>
		20A	500A	Ts3HQ020TW	
		25A	500A	Ts3HQ025TW	
		30A	500A	Ts3HQ030TW	
		35A	500A	Ts3HQ035TW	
		40A	500A	Ts3HQ040TW	
		50A	500A	Ts3HQ050TW	<b>1,386</b>
		60A	600A	Ts3HQ060TW	
		70A	700A	Ts3HQ070TW	
		80A	800A	Ts3HQ080TW	<b>3,006</b>
		90A	900A	Ts3HQ090TW	
		100A	1000A	Ts3HQ100TW	
		125A	1250A	Ts3HQ125TW	
		150A	1500A	Ts3HQ150TW	

Breaker	IC at 480VAC	Rating	Magnetic trip	3 pole catalog number	List price
Ts3LQ	65kA	15A	500A	Ts3LQ015TW	<b>\$ 1,965</b>
		20A	500A	Ts3LQ020TW	
		25A	500A	Ts3LQ025TW	
		30A	500A	Ts3LQ030TW	
	85kA	35A	500A	Ts3LQ035TW	<b>2,189</b>
		40A	500A	Ts3LQ040TW	
		50A	500A	Ts3LQ050TW	
		60A	600A	Ts3LQ060TW	<b>4,706</b>
		70A	700A	Ts3LQ070TW	
		80A	800A	Ts3LQ080TW	
		90A	900A	Ts3LQ090TW	
		100A	1000A	Ts3LQ100TW	
		125A	1250A	Ts3LQ125TW	
		150A	1500A	Ts3LQ150TW	

NOTE: See pages 16.57 - 16.70 for electrical/mechanical accessories.

## Ts3

### 150/225A 600VAC

### MCP/Molded case switch

#### Magnetic only (MCP)

Breaker	IC at 480VAC	Trip unit type	Rating	Adjustment range	3 pole 600VAC Catalog number	List Price
Ts3L	25	Magnetic only	3	12-36	Ts3L003MW	<b>\$ 726</b>
	25	Magnetic only	5	20-60	Ts3L005MW	<b>726</b>
	25	Magnetic only	10	40-120	Ts3L010MW	<b>726</b>
	25	Magnetic only	25	100-300	Ts3L025MW	<b>726</b>
	85	Magnetic only	50	200-600	Ts3L050MW	<b>920</b>
Ts3L	85	Magnetic only	100	400-1200	Ts3L100MW	<b>1,095</b>
	85	Magnetic only	125	500-1500	Ts3L125MW	<b>1,448</b>
	85	Magnetic only	150	600-1500	Ts3L150MW	<b>1,448</b>
	65	Magnetic only	175 ①	700-2100	Ts3L175MW	<b>1,448</b>
	65	Magnetic only	200 ①	800-2400	Ts3L200MW	<b>1,517</b>

#### Molded Case Switch ②

Type	IC at 480V (2)	Magnetic trip	Amps	3 pole 600V catalog number	List price
Ts3H	50	1500	150	Ts3H150DW	<b>\$ 1,060</b>
	50	2250	225 ①	Ts3H225DW	<b>1,188</b>

NOTE: See pages 16.57 - 16.70 for electrical/mechanical accessories.

① When protected by a OCPD with appropriate ratings.

② 480 VAC maximum



# T4

## 250A, 600V Δ

### Electronic and thermal magnetic

Tmax  
MCCBs



**Dimensions** 3P Fixed Version 8.07H x 4.13W x 4.07D  
**Weight** 6.18 (lbs)

#### General

The T4 breaker is a 250 amp frame with either a microprocessor based over current protective trip system or a thermal magnetic trip unit.

#### Standards

The UL489/CSA 22.2 version of T4 also carries an IEC-60947-2 rating.

#### Versions

To meet all application requirements, the T4 is available in the following versions:

- T = Thermal-magnetic
- B = Selectable & adjustable LI or LS
- C = Adjustable LSI
- E = Adjustable LSIG
- D = Molded Case Switch
- E5 = Electronic instantaneous only (MCP)

#### Trip functions

These trip functions are available:

- L = Long time
- S = Short time
- I = Instantaneous
- G = Ground fault

#### Performance levels

Each version is also available in different maximum fault interrupting levels:

- N = Normal
- S = Standard
- H = High - UL Current Limiting
- L = Extra high
- V = Very high - UL Current Limiting

#### Number of poles <sup>③</sup>

The T4 is available in two, three and four pole versions. Estimate 4 pole pricing by adding 35% to the 3 pole price and contact your ABB sales person for details.

#### UL489 / CSA C22.2 Interrupting capacity (kA RMS)

Voltage	N	S	H	L	V
240VAC	65	100	150	200	200
480VAC	25	35	65	100	150
600VAC	18	25	35	65	100
500VDC <sup>①</sup>	25	35	50	65	100
600VDC <sup>②</sup>	16	25	35	50	65

#### IEC 60947-2 Interrupting capacity (kA RMS)

Voltage	N	S	H	L	V
230VAC	70	85	100	200	200
415VAC	36	50	70	120	200
690VAC	20	25	40	70	80
750VDC <sup>②</sup>	16	25	36	50	70

<sup>①</sup> 2 poles in series.

<sup>②</sup> 3 poles in series.

<sup>③</sup> 2 pole breakers available in N version only. 4 pole breakers available in N and H version only.

# T4

## 250A, 600V Δ

### Adjustable thermal magnetic

#### 20A - 250A Frame

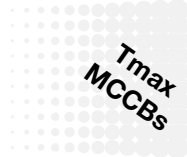
Breaker	IC at 480VAC	Rating	Magnetic trip	2 pole, 600VAC/600VDC catalog number	List price	3 pole, 600VAC/600VDC catalog number	List price
T4N	25	125A	625-1250	T4N125TW-2	<b>\$ 1,584</b>	T4N125TW	<b>\$ 1,667</b>
		150A	750-1500	T4N150TW-2		T4N150TW	
		200A	1000-2000	T4N200TW-2		T4N200TW	
		250A	1250-2500	T4N250TW-2	<b>1,631</b>	T4N250TW	<b>1,717</b>
T4S	35	125A	625-1250	-	-	T4S125TW	<b>2,067</b>
		150A	750-1500	-	-	T4S150TW	
		200A	1000-2000	-	-	T4S200TW	
		250A	1250-2500	-	-	T4S250TW	<b>2,092</b>
T4H UL Current Limiting	65	125A	625-1250	-	-	T4H125TW	<b>3,767</b>
		150A	750-1500	-	-	T4H150TW	
		200A	1000-2000	-	-	T4H200TW	
		250A	1250-2500	-	-	T4H250TW	<b>3,832</b>
T4L	100	125A	625-1250	-	-	T4L125TW	<b>5,995</b>
		150A	750-1500	-	-	T4L150TW	
		200A	1000-2000	-	-	T4L200TW	
		250A	1250-2500	-	-	T4L250TW	<b>6,110</b>
T4V UL Current Limiting	150	125A	625-1250	-	-	T4V125TW	<b>6,847</b>
		150A	750-1500	-	-	T4V150TW	
		200A	1000-2000	-	-	T4V200TW	
		250A	1250-2500	-	-	T4V250TW	<b>6,887</b>

NOTE: See pages 16.57 - 16.70 for electrical/mechanical accessories.

# T4

## 250A, 600V Δ 100% rated

### Adjustable thermal magnetic



#### 30A - 250A Frame 100% rated

Breaker	IC at 480 VAC kA	Rating	Magnetic trip	3 pole, 600VAC/600VDC Catalog number	List price
T4N	25	125A	625-1250	T4NQ125TW	<b>\$ 1,839</b>
		150A	750-1500	T4NQ150TW	
		200A	1000-2000	T4NQ200TW	
		250A	1250-2500	T4NQ250TW	
T4S	35	125A	625-1250	T4SQ125TW	<b>2,280</b>
		150A	750-1500	T4SQ150TW	
		200A	1000-2000	T4SQ200TW	
		250A	1250-2500	T4SQ250TW	
T4H UL Current Limiting	65	125A	625-1250	T4HQ125TW	<b>4,155</b>
		150A	750-1500	T4HQ150TW	
		200A	1000-2000	T4HQ200TW	
		250A	1250-2500	T4HQ250TW	
T4L	100	125A	625-1250	T4LQ125TW	<b>6,612</b>
		150A	750-1500	T4LQ150TW	
		200A	1000-2000	T4LQ200TW	
		250A	1250-2500	T4LQ250TW	
T4V UL Current Limiting	150	125A	625-1250	T4VQ125TW	<b>7,552</b>
		150A	750-1500	T4VQ150TW	
		200A	1000-2000	T4VQ200TW	
		250A	1250-2500	T4VQ250TW	

NOTE: See pages 16.57 - 16.70 for electrical/mechanical accessories.

## T4

### 250A, 600V Δ

### Electronic (AC only)

#### 100A Frame, electronic trip unit (AC only)

Breaker	IC at 480VAC kA	Trip Unit	2 pole, 600V catalog number	List price	3 pole, 600V catalog number	List price
T4N	25	PR221 LS/I	T4N100BW-2	<b>\$ 1,808</b>	T4N100BW	<b>\$ 1,903</b>
		PR222 LSI	T4N100CW-2	<b>2,413</b>	T4N100CW	<b>2,540</b>
		PR222 LSIG	T4N100EW-2	<b>3,164</b>	T4N100EW	<b>3,330</b>
T4S	35	PR221 LS/I	-	-	T4S100BW	<b>2,370</b>
		PR222 LSI	-	-	T4S100CW	<b>3,164</b>
		PR222 LSIG	-	-	T4S100EW	<b>4,148</b>
T4H UL Current Limiting	65	PR221 LS/I	-	-	T4H100BW	<b>4,498</b>
		PR222 LSI	-	-	T4H100CW	<b>4,845</b>
		PR222 LSIG	-	-	T4H100EW	<b>5,877</b>
T4L	100	PR221 LS/I	-	-	T4L100BW	<b>5,954</b>
		PR222 LSI	-	-	T4L100CW	<b>6,063</b>
		PR222 LSIG	-	-	T4L100EW	<b>7,091</b>
T4V UL Current Limiting	150	PR221 LS/I	-	-	T4V100BW	<b>8,555</b>
		PR222 LSI	-	-	T4V100CW	<b>9,213</b>
		PR222 LSIG	-	-	T4V100EW	<b>9,957</b>

#### 150A Frame, electronic trip unit (AC only)

Breaker	IC at 480VAC kA	Trip Unit	2 pole, 600V catalog number	List price	3 pole, 600V catalog number	List price
T4N	25	PR221 LS/I	T4N150BW-2	<b>\$ 1,948</b>	T4N150BW	<b>\$ 2,050</b>
		PR222 LSI	T4N150CW-2	<b>2,600</b>	T4N150CW	<b>2,737</b>
		PR222 LSIG	T4N150EW-2	<b>3,409</b>	T4N150EW	<b>3,588</b>
T4S	35	PR221 LS/I	-	-	T4S150BW	<b>2,542</b>
		PR222 LSI	-	-	T4S150CW	<b>3,394</b>
		PR222 LSIG	-	-	T4S150EW	<b>4,449</b>
T4H UL Current Limiting	65	PR221 LS/I	-	-	T4H150BW	<b>4,633</b>
		PR222 LSI	-	-	T4H150CW	<b>5,024</b>
		PR222 LSIG	-	-	T4H150EW	<b>6,094</b>
T4L	100	PR221 LS/I	-	-	T4L150BW	<b>6,174</b>
		PR222 LSI	-	-	T4L150CW	<b>6,288</b>
		PR222 LSIG	-	-	T4L150EW	<b>7,354</b>
T4V UL Current Limiting	150	PR221 LS/I	-	-	T4V150BW	<b>8,872</b>
		PR222 LSI	-	-	T4V150CW	<b>9,555</b>
		PR222 LSIG	-	-	T4V150EW	<b>10,326</b>

#### 250A Frame, electronic trip unit (AC only)

Breaker	IC at 480VAC kA	Trip Unit	2 pole, 600V catalog number	List price	3 pole, 600V catalog number	List price
T4N	25	PR221 LS/I	T4N250BW-2	<b>\$ 2,006</b>	T4N250BW	<b>\$ 2,112</b>
		PR222 LSI	T4N250CW-2	<b>2,678</b>	T4N250CW	<b>2,819</b>
		PR222 LSIG	T4N250EW-2	<b>3,511</b>	T4N250EW	<b>3,696</b>
T4S	35	PR221 LS/I	-	-	T4S250BW	<b>2,573</b>
		PR222 LSI	-	-	T4S250CW	<b>3,435</b>
		PR222 LSIG	-	-	T4S250EW	<b>4,503</b>
T4H UL Current Limiting	65	PR221 LS/I	-	-	T4H250BW	<b>4,713</b>
		PR222 LSI	-	-	T4H250CW	<b>5,127</b>
		PR222 LSIG	-	-	T4H250EW	<b>6,219</b>
T4L	100	PR221 LS/I	-	-	T4L250BW	<b>6,300</b>
		PR222 LSI	-	-	T4L250CW	<b>6,416</b>
		PR222 LSIG	-	-	T4L250EW	<b>7,504</b>
T4V UL Current Limiting	150	PR221 LS/I	-	-	T4V250BW	<b>9,053</b>
		PR222 LSI	-	-	T4V250CW	<b>9,750</b>
		PR222 LSIG	-	-	T4V250EW	<b>10,537</b>

NOTE: See pages 16.57 - 16.70 for electrical/mechanical accessories.

# T4

## 250A, 600V Δ, 100% Rated Electronic (AC only)

Tmax  
MCCBs

### 100A Frame - 100% rated, electronic trip unit (AC only)

Breaker	IC at 480VAC kA	Trip Unit	3 pole, 600V catalog number	List price
T4N	25	PR221 LS/I	T4NQ100BW	<b>\$ 2,124</b>
		PR222 LSI	T4NQ100CW	<b>2,835</b>
		PR222 LSIg	T4NQ100EW	<b>3,716</b>
T4S	35	PR221 LS/I	T4SQ100BW	<b>2,645</b>
		PR222 LSI	T4SQ100CW	<b>3,531</b>
		PR222 LSIg	T4SQ100EW	<b>4,629</b>
T4H UL Current Limiting	65	PR221 LS/I	T4HQ100BW	<b>5,020</b>
		PR222 LSI	T4HQ100CW	<b>5,383</b>
		PR222 LSIg	T4HQ100EW	<b>6,530</b>
T4L	100	PR221 LS/I	T4LQ100BW	<b>6,616</b>
		PR222 LSI	T4LQ100CW	<b>6,737</b>
		PR222 LSIg	T4LQ100EW	<b>7,879</b>
T4V UL Current Limiting	150	PR221 LS/I	T4VQ100BW	<b>9,506</b>
		PR222 LSI	T4VQ100CW	<b>10,237</b>
		PR222 LSIg	T4VQ100EW	<b>11,063</b>

### 150A Frame - 100% rated, electronic trip unit (AC only)

Breaker	IC at 480VAC kA	Trip Unit	3 pole, 600V catalog number	List price
T4N	25	PR221 LS/I	T4NQ150BW	<b>\$ 2,288</b>
		PR222 LSI	T4NQ150CW	<b>3,055</b>
		PR222 LSIg	T4NQ150EW	<b>4,004</b>
T4S	35	PR221 LS/I	T4SQ150BW	<b>2,837</b>
		PR222 LSI	T4SQ150CW	<b>3,788</b>
		PR222 LSIg	T4SQ150EW	<b>4,965</b>
T4H UL Current Limiting	65	PR221 LS/I	T4HQ150BW	<b>5,171</b>
		PR222 LSI	T4HQ150CW	<b>5,582</b>
		PR222 LSIg	T4HQ150EW	<b>6,771</b>
T4L	100	PR221 LS/I	T4LQ150BW	<b>6,860</b>
		PR222 LSI	T4LQ150CW	<b>6,987</b>
		PR222 LSIg	T4LQ150EW	<b>8,171</b>
T4V UL Current Limiting	150	PR221 LS/I	T4VQ150BW	<b>9,858</b>
		PR222 LSI	T4VQ150CW	<b>10,616</b>
		PR222 LSIg	T4VQ150EW	<b>11,473</b>

### 250A Frame - 100% rated, electronic trip unit (AC only)

Breaker	IC at 480VAC kA	Trip Unit	3 pole, 600V catalog number	List price
T4N	25	PR221 LS/I	T4NQ250BW	<b>\$ 2,357</b>
		PR222 LSI	T4NQ250CW	<b>3,146</b>
		PR222 LSIg	T4NQ250EW	<b>4,125</b>
T4S	35	PR221 LS/I	T4SQ250BW	<b>2,872</b>
		PR222 LSI	T4SQ250CW	<b>3,834</b>
		PR222 LSIg	T4SQ250EW	<b>5,025</b>
T4H UL Current Limiting	65	PR221 LS/I	T4HQ250BW	<b>5,260</b>
		PR222 LSI	T4HQ250CW	<b>5,697</b>
		PR222 LSIg	T4HQ250EW	<b>6,910</b>
T4L	100	PR221 LS/I	T4LQ250BW	<b>7,000</b>
		PR222 LSI	T4LQ250CW	<b>7,129</b>
		PR222 LSIg	T4LQ250EW	<b>8,338</b>
T4V UL Current Limiting	150	PR221 LS/I	T4VQ250BW	<b>10,058</b>
		PR222 LSI	T4VQ250CW	<b>10,833</b>
		PR222 LSIg	T4VQ250EW	<b>11,708</b>

NOTE: See pages 16.57 - 16.70 for electrical/mechanical accessories.

# T4

## 250A, 600V Δ

### Instantaneous only, MCP/Molded case switch

#### Instantaneous only MCPs

##### T4 - 250A Frame magnetic only (MCP - AC only)

Breaker	IC at 480VAC	Trip unit type	Rating	Adjustment range	3 pole, 600VAC Catalog number	List price
T4N	25kA	Instantaneous only	100A	100-1000	T4N100E5W	<b>\$ 1,808</b>
			150A	150-1500	T4N150E5W	<b>1,948</b>
			250A	250-2500	T4N250E5W	<b>2,006</b>
T4S	35kA	Instantaneous only	100A	100-1000	T4S100E5W	<b>2,252</b>
			150A	150-1500	T4S150E5W	<b>2,415</b>
			250A	250-2500	T4S250E5W	<b>2,444</b>
T4H	65kA	Instantaneous only	100A	100-1000	T4H100E5W	<b>4,273</b>
			150A	150-1500	T4H150E5W	<b>4,401</b>
			250A	250-2500	T4H250E5W	<b>4,477</b>
T4L	100kA	Instantaneous only	100A	100-1000	T4L100E5W	<b>5,656</b>
			150A	150-1500	T4L150E5W	<b>5,865</b>
			250A	250-2500	T4L250E5W	<b>5,985</b>

#### Molded case switch ①

Type	IC at 480VAC	Amps	Magnetic trip	3 pole 600V catalog number	List price
T4N-D	25kA	250	3000	T4N250DW	<b>\$ 1,354</b>
T4S-D	35kA	250	3000	T4S250DW	<b>1,510</b>
T4H-D	65kA	250	3000	T4H250DW	<b>2,154</b>
T4L-D	100kA	250	3000	T4L250DW	<b>3,419</b>
T4V-D	150kA	250	3000	T4V250DW	<b>3,842</b>

NOTE: See pages 16.57 - 16.70 for electrical/mechanical accessories.

# T5

## 400/600A, 600V Δ

### Electronic and thermal magnetic



**Dimensions** 3P Fixed Version 8.07H x 5.51W x 4.07D  
**Weight** 8.55 (lbs)

#### General

The T5 breaker is a 400/600 amp frame with either a microprocessor based over current protective trip system or a thermal magnetic trip unit. ③

#### Standards

The UL489/CSA 22.2 version of T5 also carries an IEC-60947-2 rating.

#### Versions

To meet all application requirements, the T5 is available in the following versions:

- T = Thermal-magnetic
- B = Selectable & adjustable LI or LS
- C = Adjustable LSI
- E = Adjustable LSI<sup>G</sup>
- D = Molded Case Switch
- E5 = Electronic instantaneous only (MCP)

#### Trip functions

These trip functions are available:

- L = Long time
- S = Short time
- I = Instantaneous
- G = Ground fault

#### Performance levels

Each version is also available in different maximum fault interrupting levels:

- N = Normal
- S = Standard
- H = High - UL Current Limiting
- L = Extra high
- V = Very high - UL Current Limiting

#### Number of poles ④

The T5 is available in two, three and four pole versions. Estimate 4 pole pricing by adding 35% to the 3 pole price and contact your ABB sales person for details.

#### UL489 / CSA C22.2 Interrupting capacity (kA RMS)

Voltage	N	S	H	L	V
240VAC	65	100	150	200	200
480VAC	25	35	65	100	150
600VAC	18	25	35	65	100
500VDC ①	25	35	50	65	100
600VDC ②	16	25	35	50	65

#### IEC 60947-2 Interrupting capacity (kA RMS)

Voltage	N	S	H	L	V
230VAC	70	85	100	200	200
415VAC	36	50	70	120	200
690VAC	20	25	40	70	80
750VDC	16	25	36	50	70

① 2 poles in series.

② 3 poles in series.

③ T5 600A not available with thermal magnetic trip unit.

④ 2 pole available in N version only. 4 pole available in N and H version only.

## T5

### 400/600A, 600V Δ

### Thermal magnetic ①

#### 300A - 400A Frames - thermal-magnetic trip units

Breaker	IC at 480VAC kA	Rating	Magnetic trip	2 pole, 600VAC/600VDC catalog number	List price	3 pole, 600VAC/600VDC catalog number	List price
T5N	25	300A 400A	1500-3000 2000-4000	T5N300TW-2 T5N400TW-2	<b>\$ 2,481</b>	T5N300TW T5N400TW	<b>\$ 2,612</b>
T5S	35	300A 400A	1500-3000 2000-4000	-	-	T5S300TW T5S400TW	<b>2,880</b>
T5H UL Current Limiting	65	300A 400A	1500-3000 2000-4000	-	-	T5H300TW T5H400TW	<b>4,950</b>
T5L	100	300A 400A	1500-3000 2000-4000	-	-	T5L300TW T5L400TW	<b>6,400</b>
T5V UL Current Limiting	150	300A 400A	1500-3000 2000-4000	-	-	T5V300TW T5V400TW	<b>9,873</b>

#### 300A - 400A Frames - 100% rated, thermal-magnetic

Breaker	IC at 480VAC	Rating	Magnetic trip	3 pole, 600VAC/600VDC Catalog number	List price
T5N	25	300A 400A	1500-3000 2000-4000	T5NQ300TW T5NQ400TW	<b>\$ 2,888</b>
T5S	35	300A 400A	1500-3000 2000-4000	T5SQ300TW T5SQ400TW	<b>3,185</b>
T5H UL Current Limiting	65	300A 400A	1500-3000 2000-4000	T5HQ300TW T5HQ400TW	<b>5,475</b>
T5L	100	300A 400A	1500-3000 2000-4000	T5LQ300TW T5LQ400TW	<b>7,078</b>
T5V UL Current Limiting	150	300A 400A	1500-3000 2000-4000	T5VQ300TW T5VQ400TW	<b>10,920</b>

NOTE: See pages 16.57 - 16.70 for electrical/mechanical accessories.



# T5

## 400/600A, 600V Δ

### Electronic (AC only)

Tmax  
MCCBs

#### 300A Frame, electronic trip unit (AC only)

Breaker	IC at 480VAC kA	Trip Unit	2 pole, 600V catalog number	List price	3 pole, 600V catalog number	List price
T5N	25	PR221 LS/I	T5N300BW-2	<b>\$ 3,097</b>	T5N300BW	<b>\$ 3,260</b>
		PR222 LSI	T5N300CW-2	<b>3,672</b>	T5N300CW	<b>3,865</b>
		PR222 LSIG	T5N300EW-2	<b>4,717</b>	T5N300EW	<b>4,965</b>
T5S	35	PR221 LS/I	-	-	T5S300BW	<b>3,350</b>
		PR222 LSI	-	-	T5S300CW	<b>3,945</b>
		PR222 LSIG	-	-	T5S300EW	<b>5,138</b>
T5H UL Current Limiting	65	PR221 LS/I	-	-	T5H300BW	<b>5,395</b>
		PR222 LSI	-	-	T5H300CW	<b>5,893</b>
		PR222 LSIG	-	-	T5H300EW	<b>7,148</b>
T5L	100	PR221 LS/I	-	-	T5L300BW	<b>6,860</b>
		PR222 LSI	-	-	T5L300CW	<b>7,375</b>
		PR222 LSIG	-	-	T5L300EW	<b>8,625</b>
T5V UL Current Limiting	150	PR221 LS/I	-	-	T5V300BW	<b>10,406</b>
		PR222 LSI	-	-	T5V300CW	<b>11,206</b>
		PR222 LSIG	-	-	T5V300EW	<b>12,111</b>

#### 400A Frame, electronic trip unit (AC only)

Breaker	IC at 480VAC kA	Trip Unit	2 pole, 600V catalog number	List price	3 pole, 600V catalog number	List price
T5N	25	PR221 LS/I	T5N400BW-2	<b>\$ 3,097</b>	T5N400BW	<b>\$ 3,260</b>
		PR222 LSI	T5N400CW-2	<b>3,672</b>	T5N400CW	<b>3,865</b>
		PR222 LSIG	T5N400EW-2	<b>4,717</b>	T5N400EW	<b>4,965</b>
T5S	35	PR221 LS/I	-	-	T5S400BW	<b>3,350</b>
		PR222 LSI	-	-	T5S400CW	<b>3,945</b>
		PR222 LSIG	-	-	T5S400EW	<b>5,138</b>
T5H UL Current Limiting	65	PR221 LS/I	-	-	T5H400BW	<b>5,395</b>
		PR222 LSI	-	-	T5H400CW	<b>5,893</b>
		PR222 LSIG	-	-	T5H400EW	<b>7,148</b>
T5L	100	PR221 LS/I	-	-	T5L400BW	<b>6,860</b>
		PR222 LSI	-	-	T5L400CW	<b>7,375</b>
		PR222 LSIG	-	-	T5L400EW	<b>8,625</b>
T5V UL Current Limiting	150	PR221 LS/I	-	-	T5V400BW	<b>10,406</b>
		PR222 LSI	-	-	T5V400CW	<b>11,206</b>
		PR222 LSIG	-	-	T5V400EW	<b>12,111</b>

#### 600A Frame, electronic trip unit (AC only) ①

Breaker	IC at 480VAC kA	Trip Unit	3 pole, 600V catalog number	List price
T5N	25	PR221 LS/I	T5N600BW	<b>\$ 5,750</b>
		PR222 LSI	T5N600CW	<b>6,460</b>
		PR222 LSIG	T5N600EW	<b>8,360</b>
T5S	35	PR221 LS/I	T5S600BW	<b>5,910</b>
		PR222 LSI	T5S600CW	<b>6,595</b>
		PR222 LSIG	T5S600EW	<b>8,645</b>
T5H	65	PR221 LS/I	T5H600BW	<b>8,170</b>
		PR222 LSI	T5H600CW	<b>8,805</b>
		PR222 LSIG	T5H600EW	<b>10,890</b>
T5L	100	PR221 LS/I	T5L600BW	<b>9,860</b>
		PR222 LSI	T5L600CW	<b>10,440</b>
		PR222 LSIG	T5L600EW	<b>12,630</b>
T5V	150	PR221 LS/I	T5V600BW	<b>13,550</b>
		PR222 LSI	T5V600CW	<b>14,375</b>
		PR222 LSIG	T5V600EW	<b>16,350</b>

NOTE: See pages 16.57 - 16.70 for electrical/mechanical accessories.

① T5 600A not available in 2 pole version.

## T5

### 400/600A, 600V Δ, 100% Rated ①

### Electronic (AC only)

#### 300A Frame – 100% rated, electronic trip units (AC only)

Breaker	IC at 480VAC kA	Trip Unit	3 pole, 600V catalog number	List price
T5N	25	PR221 LS/I	T5NQ300BW	<b>\$ 3,628</b>
		PR222 LSI	T5NQ300CW	<b>4,302</b>
		PR222 LSIg	T5NQ300EW	<b>5,526</b>
T5S	35	PR221 LS/I	T5SQ300BW	<b>3,729</b>
		PR222 LSI	T5SQ300CW	<b>4,391</b>
		PR222 LSIg	T5SQ300EW	<b>5,719</b>
T5H UL Current limiting	65	PR221 LS/I	T5HQ300BW	<b>6,005</b>
		PR222 LSI	T5HQ300CW	<b>6,559</b>
		PR222 LSIg	T5HQ300EW	<b>7,956</b>
T5L	100	PR221 LS/I	T5LQ300BW	<b>7,635</b>
		PR222 LSI	T5LQ300CW	<b>8,208</b>
		PR222 LSIg	T5LQ300EW	<b>9,600</b>
T5V UL Current limiting	150	PR221 LS/I	T5VQ300BW	<b>11,582</b>
		PR222 LSI	T5VQ300CW	<b>12,473</b>
		PR222 LSIg	T5VQ300EW	<b>13,480</b>

#### 400A Frame – 100% rated, electronic trip units (AC only)

Breaker	IC at 480VAC kA	Trip Unit	3 pole, 600V catalog number	List price
T5N	25	PR221 LS/I	T5NQ400BW	<b>\$ 3,628</b>
		PR222 LSI	T5NQ400CW	<b>4,302</b>
		PR222 LSIg	T5NQ400EW	<b>5,526</b>
T5S	35	PR221 LS/I	T5SQ400BW	<b>3,729</b>
		PR222 LSI	T5SQ400CW	<b>4,391</b>
		PR222 LSIg	T5SQ400EW	<b>5,719</b>
T5H UL Current limiting	65	PR221 LS/I	T5HQ400BW	<b>6,005</b>
		PR222 LSI	T5HQ400CW	<b>6,559</b>
		PR222 LSIg	T5HQ400EW	<b>7,956</b>
T5L	100	PR221 LS/I	T5LQ400BW	<b>7,635</b>
		PR222 LSI	T5LQ400CW	<b>8,208</b>
		PR222 LSIg	T5LQ400EW	<b>9,600</b>
T5V UL Current limiting	150	PR221 LS/I	T5VQ400BW	<b>11,582</b>
		PR222 LSI	T5VQ400CW	<b>12,473</b>
		PR222 LSIg	T5VQ400EW	<b>13,480</b>

NOTE: See pages 16.57 - 16.70 for electrical/mechanical accessories.

# T5

## 400/600A, 600V Δ

### Instantaneous only, MCP/Molded case switch



#### T5 - 400A Frame, magnetic only (MCP - AC only)

Breaker	IC at 480VAC	Trip unit type	Rating	Adjustment range	3 pole, 600VAC Catalog number	List price
T5N	25kA	Instantaneous only	300A 400A	300-3000 400-4000	T5N300E5W T5N400E5W	<b>\$ 3,097</b>
T5S	35kA	Instantaneous only	300A 400A	300-3000 400-4000	T5S300E5W T5S400E5W	<b>3,183</b>
T5H	65kA	Instantaneous only	300A 400A	300-3000 400-4000	T5H300E5W T5H400E5W	<b>5,125</b>
T5L	100kA	Instantaneous only	300A 400A	300-3000 400-4000	T5L300E5W T5L400E5W	<b>6,517</b>

#### T5 - 600A Frame, magnetic only (MCP - AC only)

Breaker	IC at 480VAC	Trip unit type	Rating	Adjustment range	3 pole, 600VAC Catalog number	List price
T5N	25kA	Instantaneous only	600A	600-6000	T5N600E5W	<b>\$ 5,615</b>
T5S	35kA	Instantaneous only	600A	600-6000	T5S600E5W	<b>5,770</b>
T5H	65kA	Instantaneous only	600A	600-6000	T5H600E5W	<b>7,761</b>
T5L	100kA	Instantaneous only	600A	600-6000	T5L600E5W	<b>9,370</b>

#### Molded case switch ①

Type	IC at 480VAC	Amps	Magnetic trip	3 pole 600V catalog number	List price
T5N-D	25kA	400	5000	T5N400DW	<b>\$ 2,393</b>
T5S-D	35kA	400	5000	T5S400DW	<b>2,659</b>
T5H-D	65kA	400	5000	T5H400DW	<b>4,585</b>
T5L-D	100kA	400	5000	T5L400DW	<b>5,878</b>
T5V-D	150kA	400	5000	T5V400DW	<b>7,536</b>
T5N-D	25kA	600	6000	T5N600DW	<b>3,419</b>
T5S-D	35kA	600	6000	T5S600DW	<b>3,799</b>
T5H-D	65kA	600	6000	T5H600DW	<b>6,550</b>
T5L-D	100kA	600	6000	T5L600DW	<b>8,350</b>
T5V-D	150kA	600	6000	T5V600DW	<b>11,575</b>

NOTE: See pages 16.57 - 16.70 for electrical/mechanical accessories.

① When protected by a OCPD with appropriate ratings.

# T6

## 600A, 800A, 600V Δ

### Thermal magnetic and electronic



**Dimensions** 3P Fixed Version 10.55H x 8.26W x 4.07D  
**Weight** 20.9 (lbs)

#### General

The T6 breaker is an 800 amp frame with either a microprocessor based over current protective trip system or a thermal magnetic trip unit. The T6 is available as a 600 or 800A frame.

#### Standards

The UL489/CSA 22.2 version of T6 also carries an IEC-60947-2 rating.

#### Versions

To meet all application requirements, the T6 is available in the following versions:

- T = Thermal-magnetic, fixed
- B = Selectable & adjustable LI or LS
- C = Adjustable LSI
- E = Adjustable LSIG
- D = Molded Case Switch
- E5 = Electronic instantaneous only (MCP)

#### Trip functions

These trip functions are available:

- L = Long time
- S = Short time
- I = Instantaneous
- G = Ground fault

#### Performance levels

Each version is also available in different maximum fault interrupting levels:

- N = Normal
- S = Standard
- H = High
- L = Extra high

#### Number of poles ③

The T6 is available as a three and four pole breaker. Estimate 4 pole pricing by adding 35% to the 3 pole price and contact your ABB sales person for details.

#### UL489 / CSA C22.2 Interrupting capacity (kA RMS)

Voltage	N	S	H	L
240VAC	65	100	200	200
480VAC	35	50	65	100
600VAC	20	25	35	42
500VDC ①	35	35	50	65
600VDC ②	20	20	35	50

#### IEC 60947-2 Interrupting capacity (kA RMS)

Voltage	N	S	H	L
230VAC	70	85	100	200
415VAC	36	50	70	100
600VAC	20	22	25	30
750VDC ②	16	20	36	50

① 2 poles in series.

② 3 poles in series.

③ 4 pole available N and H version only.

# T6

## 600A, 800A, 600V Δ

### Thermal magnetic and electronic

Tmax  
MCCBs

#### T6

##### 600A, 800A, 600V

##### Thermal Magnetic Trip Units

Breaker	IC at 480 VAC kA	Rating	Magnetic trip	3 pole, 600VAC/600VDC catalog number	List price
T6N	35	600A 800A	3000 - 6000A	T6N600TW	<b>\$ 6,700</b>
			4000 - 8000A	T6N800TW	<b>7,400</b>
T6S	50	600A 800A	3000 - 6000A	T6S600TW	<b>7,100</b>
			4000 - 8000A	T6S800TW	<b>7,800</b>
T6H	65	600A 800A	3000 - 6000A	T6H600TW	<b>7,300</b>
			4000 - 8000A	T6H800TW	<b>8,050</b>
T6L	100	600A 800A	3000 - 6000A	T6L600TW	<b>9,300</b>
			4000 - 8000A	T6L800TW	<b>9,968</b>

#### T6

##### 600A, 800A, 600V

##### Thermal Magnetic Trip Units 100% rated

Breaker	IC at 480 VAC kA	Rating	Magnetic trip	3 pole, 600VAC/600VDC catalog number	List price
T6N	35	600A 800A	3000 - 6000A	T6NQ600TW	<b>\$ 7,370</b>
			4000 - 8000A	T6NQ800TW	<b>8,140</b>
T6S	50	600A 800A	3000 - 6000A	T6SQ600TW	<b>7,810</b>
			4000 - 8000A	T6SQ800TW	<b>8,580</b>
T6H	65	600A 800A	3000 - 6000A	T6HQ600TW	<b>8,030</b>
			4000 - 8000A	T6HQ800TW	<b>8,855</b>
T6L	100	600A 800A	3000 - 6000A	T6LQ600TW	<b>10,230</b>
			4000 - 8000A	T6LQ800TW	<b>10,965</b>

#### T6

##### 600A, 600V

##### Electronic Trip Units

Breaker	IC at 480VAC	Trip type	Adjustment	3 pole, 600VAC catalog number	List price
T6N	35	PR221 PR222 PR222	LS/I	T6N600BW	<b>\$ 6,900</b>
			LSI	T6N600CW	<b>6,560</b>
			LSIG	T6N600EW	<b>8,400</b>
T6S	50	PR221 PR222 PR222	LS/I	T6S600BW	<b>7,300</b>
			LSI	T6S600CW	<b>7,800</b>
			LSIG	T6S600EW	<b>8,800</b>
T6H	65	PR221 PR222 PR222	LS/I	T6H600BW	<b>7,550</b>
			LSI	T6H600CW	<b>8,050</b>
			LSIG	T6H600EW	<b>9,050</b>
T6L	100	PR221 PR222 PR222	LS/I	T6L600BW	<b>9,550</b>
			LSI	T6L600CW	<b>10,425</b>
			LSIG	T6L600EW	<b>11,557</b>

#### T6

##### 800A, 600V

##### Electronic Trip Units

Breaker	IC at 480VAC	Trip type	Adjustment	3 pole, 600VAC catalog number	List price
T6N	35	PR221 PR222 PR222	LS/I	T6N800BW	<b>\$ 8,100</b>
			LSI	T6N800CW	<b>8,600</b>
			LSIG	T6N800EW	<b>10,600</b>
T6S	50	PR221 PR222 PR222	LS/I	T6S800BW	<b>9,100</b>
			LSI	T6S800CW	<b>9,600</b>
			LSIG	T6S800EW	<b>11,600</b>
T6H	65	PR221 PR222 PR222	LS/I	T6H800BW	<b>9,300</b>
			LSI	T6H800CW	<b>9,800</b>
			LSIG	T6H800EW	<b>11,800</b>
T6L	100	PR221 PR222 PR222	LS/I	T6L800BW	<b>10,965</b>
			LSI	T6L800CW	<b>11,465</b>
			LSIG	T6L800EW	<b>13,465</b>

NOTE: See pages 16.57 - 16.70 for electrical/mechanical accessories.

## T6

### 600A, 800A, 600V Δ

#### Thermal magnetic and electronic

### T6 600A, 600V Δ

#### Electronic Trip Units 100% Rated

Breaker	IC at 480VAC	Trip type	Adjustment	3 pole, 600VAC catalog number	List price
T6N	35	PR221	LS/I	T6NQ600BW	<b>\$ 7,590</b>
		PR222	LSI	T6NQ600CW	<b>7,216</b>
		PR222	LSIG	T6NQ600EW	<b>9,240</b>
T6S	50	PR221	LS/I	T6SQ600BW	<b>8,030</b>
		PR222	LSI	T6SQ600CW	<b>8,580</b>
		PR222	LSIG	T6SQ600EW	<b>9,680</b>
T6H	65	PR221	LS/I	T6HQ600BW	<b>10,230</b>
		PR222	LSI	T6HQ600CW	<b>10,780</b>
		PR222	LSIG	T6HQ600EW	<b>12,980</b>
T6L	100	PR221	LS/I	T6LQ600BW	<b>10,505</b>
		PR222	LSI	T6LQ600CW	<b>11,605</b>
		PR222	LSIG	T6LQ600EW	<b>12,713</b>

### T6 800A, 600V

#### Electronic Trip Units 100% Rated

Breaker	IC at 480VAC	Trip type	Adjustment	3 pole, 600VAC catalog number	List price
T6N	35	PR221	LS/I	T6NQ800BW	<b>\$ 8,910</b>
		PR222	LSI	T6NQ800CW	<b>9,460</b>
		PR222	LSIG	T6NQ800EW	<b>11,660</b>
T6S	50	PR221	LS/I	T6SQ800BW	<b>10,010</b>
		PR222	LSI	T6SQ800CW	<b>10,560</b>
		PR222	LSIG	T6SQ800EW	<b>12,760</b>
T6H	65	PR221	LS/I	T6HQ800BW	<b>10,230</b>
		PR222	LSI	T6HQ800CW	<b>10,780</b>
		PR222	LSIG	T6HQ800EW	<b>12,980</b>
T6L	100	PR221	LS/I	T6LQ800BW	<b>12,062</b>
		PR222	LSI	T6LQ800CW	<b>12,612</b>
		PR222	LSIG	T6LQ800EW	<b>14,812</b>

### T6 600A, 600V Δ

#### Electronic Trip Units Instantaneous Only

Breaker	IC at 480VAC	kA	Trip type	Adjustment Range	3 pole, 600VAC catalog number	List price
T6N	35		PR221	600-6000	T6N600E5W	<b>\$ 5,929</b>
T6S	50		PR221	600-6000	T6S600E5W	<b>6,407</b>
T6H	65		PR221	600-6000	T6H600E5W	<b>6,623</b>
T6L	100		PR221	600-6000	T6L600E5W	<b>8,635</b>

16

### T6 800A, 600V

#### Electronic Trip Units Instantaneous Only

Breaker	IC at 480VAC	kA	Trip type	Adjustment Range	3 pole, 600VAC catalog number	List price
T6N	35		PR221	800-8000	T6N800E5W	<b>\$ 6,254</b>
T6S	50		PR221	800-8000	T6S800E5W	<b>6,733</b>
T6H	65		PR221	800-8000	T6H800E5W	<b>6,948</b>
T6L	100		PR221	800-8000	T6L800E5W	<b>8,961</b>

### T6 800A, 600V

#### Molded Case Switch

Breaker	IC at 480VAC ①	Amp	Magnetic Trip	3 pole, 600VAC catalog number	List price
T6H	65	800	10,000	T6H800DW	<b>\$ 4,824</b>

NOTE: See pages 16.57 - 16.70 for electrical/mechanical accessories.

① When protected by a OCPD with appropriate ratings.

# T7 (Toggle)

## 1000A, 1200A, 600V Δ

### Electronic

Tmax  
MCCBs



T7

**Dimensions** 3P Fixed Version 10.55H x 8.26W x 6.06D  
**Weight** 21.4 (lbs)

#### General

The T7 breaker is a 1200 amp frame with a microprocessor based over current protective trip system.

#### Standards

The UL489/CSA 22.2 version of T7 also carries an IEC-60947-2 rating.

#### Versions

To meet all application requirements, the T7 is available in the following versions:

- B = Selectable & adjustable LI or LS — Dip switch settings
- C = Adjustable LSI — Dip switch settings
- E = Adjustable LSIG — Dip switch settings
- D = Molded Case Switch
- P = LI — LCD display
- R = LSI — LCD display
- S = LSIG — LCD display

#### Trip functions

These trip functions are available:

- L = Long time
- S = Short time
- I = Instantaneous
- G = Ground fault

#### Performance levels

Each version is also available in different maximum fault interrupting levels:

- S = Standard
- H = High
- L = Extra high

#### Number of poles ①

The T7 is available as a 3 and 4 pole breaker. Estimate 4 pole pricing by adding 35% to the 3 pole price and contact your ABB sales person for details.

#### UL489 / CSA C22.2 Interrupting capacity (kA RMS)

Voltage	S	H	L
240VAC	65	100	150
480VAC	50	65	100
600VAC	25	50	65

#### IEC 60947-2 Interrupting capacity (kA RMS)

Voltage	S	H	L
230VAC	85	100	200
415VAC	50	70	120
690VAC	30	42	50

① 4 Pole available S, H and L version.

## T7

### 1000A, 1200A, 600V Δ

### Electronic

#### T7S, 1000A, 600V

Electronic

Breaker	IC at 480VAC kA	Trip type	Adjustment	3 pole, 600VAC catalog number	List price
T7S	50	PR231/P	LS/I	T7S1000BW	<b>\$ 9,803</b>
		PR232/P	LSI	T7S1000CW	<b>10,303</b>
		PR331/P	LSIG	T7S1000EW	<b>12,303</b>
		PR332/P	LI	T7S1000PW	<b>10,362</b>
		PR332/P	LSI	T7S1000RW	<b>11,362</b>
		PR332/P	LSIG	T7S1000SW	<b>12,606</b>

#### T7S, 1200A, 600V

Electronic

Breaker	IC at 480VAC kA	Trip type	Adjustment	3 pole, 600VAC catalog number	List price
T7S	50	PR231/P	LS/I	T7S1200BW	<b>\$ 13,235</b>
		PR232/P	LSI	T7S1200CW	<b>13,451</b>
		PR331/P	LSIG	T7S1200EW	<b>14,063</b>
		PR332/P	LI	T7S1200PW	<b>13,792</b>
		PR332/P	LSI	T7S1200RW	<b>14,790</b>
		PR332/P	LSIG	T7S1200SW	<b>16,036</b>

#### T7H, 1000A, 600V

Electronic

Breaker	IC at 480VAC kA	Trip type	Adjustment	3 pole, 600VAC catalog number	List price
T7H	65	PR231/P	LS/I	T7H1000BW	<b>\$ 10,380</b>
		PR232/P	LSI	T7H1000CW	<b>10,606</b>
		PR331/P	LSIG	T7H1000EW	<b>12,540</b>
		PR332/P	LI	T7H1000PW	<b>10,947</b>
		PR332/P	LSI	T7H1000RW	<b>11,947</b>
		PR332/P	LSIG	T7H1000SW	<b>13,191</b>

#### T7H, 1200A, 600V

Electronic

Breaker	IC at 480VAC kA	Trip type	Adjustment	3 pole, 600VAC catalog number	List price
T7H	65	PR231/P	LS/I	T7H1200BW	<b>\$ 14,025</b>
		PR232/P	LSI	T7H1200CW	<b>14,252</b>
		PR331/P	LSIG	T7H1200EW	<b>15,924</b>
		PR332/P	LI	T7H1200PW	<b>14,593</b>
		PR332/P	LSI	T7H1200RW	<b>15,591</b>
		PR332/P	LSIG	T7H1200SW	<b>16,837</b>

#### T7L, 1000A, 600V

Electronic

Breaker	IC at 480VAC kA	Trip type	Adjustment	3 pole, 600VAC catalog number	List price
T7L	100	PR231/P	LS/I	T7L1000BW	<b>\$ 10,965</b>
		PR232/P	LSI	T7L1000CW	<b>11,191</b>
		PR331/P	LSIG	T7L1000EW	<b>12,863</b>
		PR332/P	LI	T7L1000PW	<b>11,532</b>
		PR332/P	LSI	T7L1000RW	<b>12,532</b>
		PR332/P	LSIG	T7L1000SW	<b>13,776</b>

#### T7L, 1200A, 600V

Electronic

Breaker	IC at 480VAC kA	Trip type	Adjustment	3 pole, 600VAC catalog number	List price
T7L	100	PR231/P	LS/I	T7L1200BW	<b>\$ 14,826</b>
		PR232/P	LSI	T7L1200CW	<b>15,053</b>
		PR331/P	LSIG	T7L1200EW	<b>16,725</b>
		PR332/P	LI	T7L1200PW	<b>15,394</b>
		PR332/P	LSI	T7L1200RW	<b>16,393</b>
		PR332/P	LSIG	T7L1200SW	<b>17,638</b>

NOTE: See pages 16.57 - 16.70 for electrical/mechanical accessories.



# T7

## 1000A, 1200A, 600V Δ

### Electronic, 100% rated

Tmax  
MCCBs

#### T7S, 1000A, 600V

Electronic, 100% rated

Breaker	IC at 480VAC kA	Trip type	Adjustment	3 pole, 600VAC catalog number	List price
T7S	50	PR231/P	LS/I	T7SQ1000BW	\$ 10,783
		PR232/P	LSI	T7SQ1000CW	11,333
		PR331/P	LSIG	T7SQ1000EW	13,533
		PR332/P	LI	T7SQ1000PW	11,398
		PR332/P	LSI	T7SQ1000RW	12,498
		PR332/P	LSIG	T7SQ1000SW	13,867

#### T7S, 1200A, 600V

Electronic, 100% rated

Breaker	IC at 480VAC kA	Trip type	Adjustment	3 pole, 600VAC catalog number	List price
T7S	50	PR231/P	LS/I	T7SQ1200BW	\$ 14,559
		PR232/P	LSI	T7SQ1200CW	14,769
		PR331/P	LSIG	T7SQ1200EW	15,469
		PR332/P	LI	T7SQ1200PW	15,171
		PR332/P	LSI	T7SQ1200RW	16,269
		PR332/P	LSIG	T7SQ1200SW	17,640

#### T7H, 1000A, 600V

Electronic, 100% rated

Breaker	IC at 480VAC kA	Trip type	Adjustment	3 pole, 600VAC catalog number	List price
T7H	65	PR231/P	LS/I	T7HQ1000BW	\$ 11,418
		PR232/P	LSI	T7HQ1000CW	11,667
		PR331/P	LSIG	T7HQ1000EW	13,794
		PR332/P	LI	T7HQ1000PW	12,042
		PR332/P	LSI	T7HQ1000RW	13,142
		PR332/P	LSIG	T7HQ1000SW	14,510

#### T7H, 1200A, 600V

Electronic, 100% rated

Breaker	IC at 480VAC kA	Trip type	Adjustment	3 pole, 600VAC catalog number	List price
T7H	65	PR231/P	LS/I	T7HQ1200BW	\$ 15,428
		PR232/P	LSI	T7HQ1200CW	15,677
		PR331/P	LSIG	T7HQ1200EW	17,516
		PR332/P	LI	T7HQ1200PW	16,052
		PR332/P	LSI	T7HQ1200RW	17,150
		PR332/P	LSIG	T7HQ1200SW	18,521

#### T7L, 1000A, 600V

Electronic, 100% rated

Breaker	IC at 480VAC kA	Trip type	Adjustment	3 pole, 600VAC catalog number	List price
T7L	100	PR231/P	LS/I	T7LQ1000BW	\$ 12,062
		PR232/P	LSI	T7LQ1000CW	12,310
		PR331/P	LSIG	T7LQ1000EW	14,149
		PR332/P	LI	T7LQ1000PW	12,685
		PR332/P	LSI	T7LQ1000RW	12,785
		PR332/P	LSIG	T7LQ1000SW	15,154

#### T7L, 1200A, 600V

Electronic, 100% rated

Breaker	IC at 480VAC kA	Trip type	Adjustment	3 pole, 600VAC catalog number	List price
T7L	100	PR231/P	LS/I	T7LQ1200BW	\$ 16,309
		PR232/P	LSI	T7LQ1200CW	16,558
		PR331/P	LSIG	T7LQ1200EW	18,398
		PR332/P	LI	T7LQ1200PW	16,933
		PR332/P	LSI	T7LQ1200RW	18,032
		PR332/P	LSIG	T7LQ1200SW	19,402

NOTE: See pages 16.57 - 16.70 for electrical/mechanical accessories.

16

**T7**  
1200A, 600V Δ  
Electronic/Molded case switch

**T7**  
**1200A, 600V**  
Molded case switch

Breaker	IC at 480VAC kA ①	Amp	Magnetic trip	3 pole, 600VAC catalog number	List price
T7H	-	1200	20,000	T7H1200DW	<b>Consult factory</b>

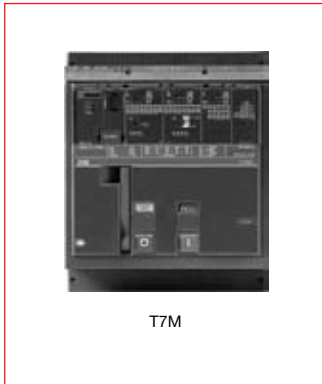
*Call for availability!*

NOTE: See pages 16.57 - 16.70 for electrical/mechanical accessories.

① When protected by a OCPD with appropriate ratings.

# T7M (Stored energy) 1000A, 1200A, 600V Δ Electronic

Tmax  
MCCBs



T7M

**Dimensions** 3P Fixed Version 10.55H x 8.26W x 7D

**Weight** 24.25 (lbs)

## General

The T7M breaker is a stored energy 1200A frame with a microprocessor based overcurrent protective trip system.

## Standards

The UL489/CSA 22.2 version of T7M also carries an IEC-60947-2 rating.

## Versions

To meet all application requirements, the T7M is available in the following versions:

- B = Selectable & adjustable LI or LS — Dip switch setting
- C = Adjustable LSI — Dip switch setting
- E = Adjustable LSIG — Dip switch setting
- D = Molded Case Switch
- P = LI — LCD display
- R = LSI — LCD display
- S = LSIG — LCD display

## Trip functions

These trip functions are available:

- L = Long time
- S = Short time
- I = Instantaneous
- G = Ground fault

## Performance levels

Each version is also available in different maximum fault interrupting levels:

- S = Standard
- H = High
- L = Extra high

## Number of poles

The T7M is available as a three and four pole breaker.

## UL489 / CSA C22.2 Interrupting capacity (kA RMS)

Voltage	S	H	L
240VAC	65	100	150
480VAC	50	65	100
600VAC	25	50	65

## IEC 60947-2 Interrupting capacity (kA RMS)

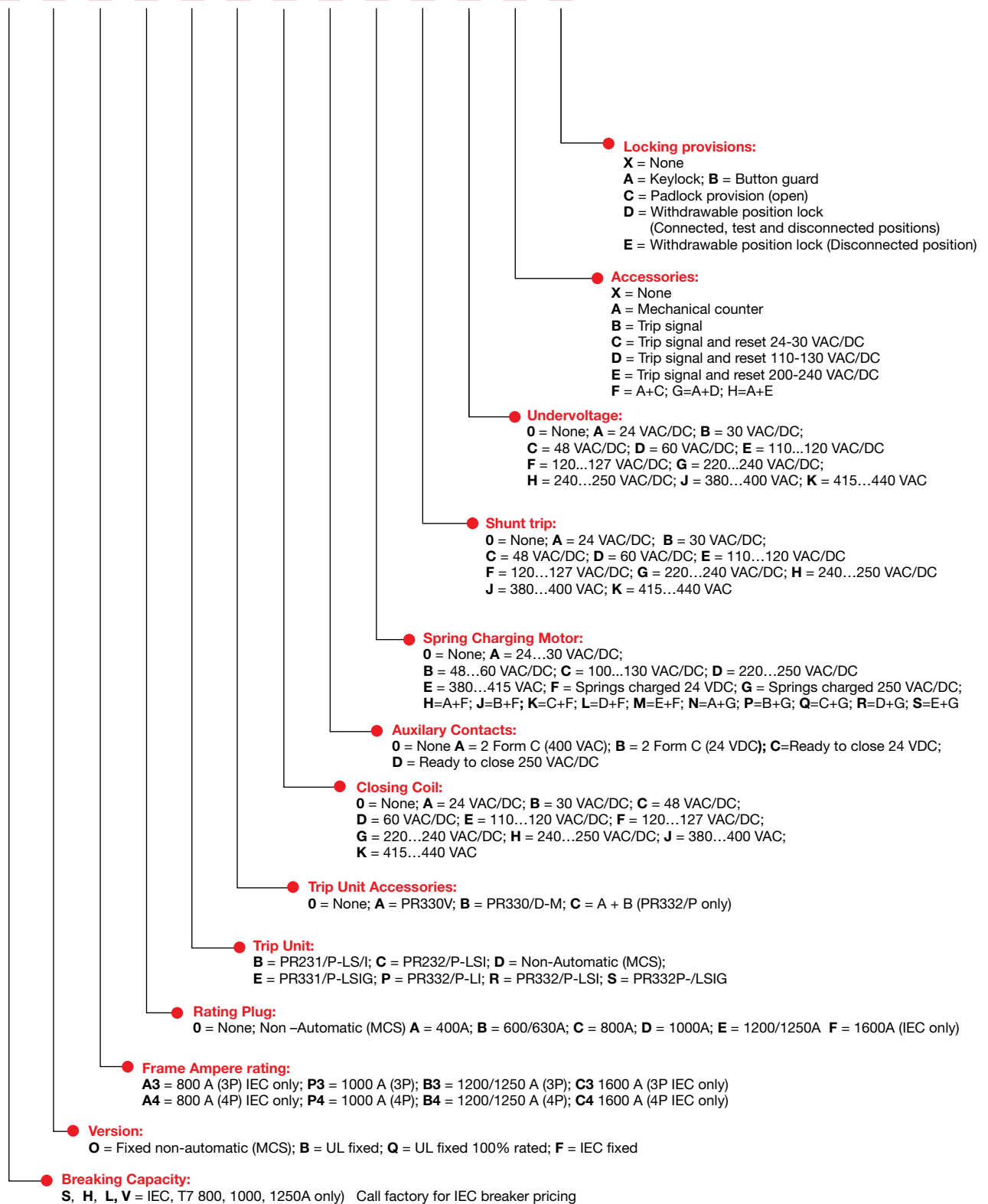
Voltage	S	H	L
230VAC	85	100	200
415VAC	50	70	120
690VAC	30	42	50

# T7M

## 1000A, 1200A, 600V Δ

### Electronic

## T 7 M



# T7M

## 1000A, 1200A, 600V Δ - Three Pole Electronic

Tmax  
MCCBs

### T7M-S, 1000A, 600V

Electronic

Breaker	IC at 480VAC kA	Trip unit	3 pole, 600V catalog number	List price
T7M-S	50	PR231/P-LS/I	T7MSBP3DB000000XX	\$ 11,264
		PR232/P-LSI	T7MSBP3DC000000XX	11,524
		PR331/P-LSIG	T7MSBP3DE000000XX	13,447
		PR332/P-LI	T7MSBP3DP000000XX	11,916
		PR332/P-LSI	T7MSBP3DR000000XX	13,066
		PR332/P-LSIG	T7MSBP3DS000000XX	14,497

### T7M-H, 1000A, 600V

Electronic

Breaker	IC at 480VAC kA	Trip unit	3 pole, 600V catalog number	List price
T7M-H	65	PR231/P-LS/I	T7MHBP3DB000000XX	\$ 11,937
		PR232/P-LSI	T7MHBP3DC000000XX	12,197
		PR331/P-LSIG	T7MHBP3DE000000XX	14,120
		PR332/P-LI	T7MHBP3DP000000XX	12,589
		PR332/P-LSI	T7MHBP3DR000000XX	13,739
		PR332/P-LSIG	T7MHBP3DS000000XX	15,170

### T7M-L, 1000A, 600V

Electronic

Breaker	IC at 480VAC kA	Trip unit	3 pole, 600V catalog number	List price
T7M-L	100	PR231/P-LS/I	T7MLBP3DB000000XX	\$ 12,299
		PR232/P-LSI	T7MLBP3DC000000XX	12,870
		PR331/P-LSIG	T7MLBP3DE000000XX	14,793
		PR332/P-LI	T7MLBP3DP000000XX	13,262
		PR332/P-LSI	T7MLBP3DR000000XX	14,412
		PR332/P-LSIG	T7MLBP3DS000000XX	15,842

### T7M-S, 1200A, 600V

Electronic

Breaker	IC at 480VAC kA	Trip unit	3 pole, 600V catalog number	List price
T7M-S	50	PR231/P-LS/I	T7MSBB3EB000000XX	\$ 15,208
		PR232/P-LSI	T7MSBB3EC000000XX	15,469
		PR331/P-LSIG	T7MSBB3EE000000XX	17,392
		PR332/P-LI	T7MSBB3EP000000XX	15,861
		PR332/P-LSI	T7MSBB3ER000000XX	17,009
		PR332/P-LSIG	T7MSBB3ES000000XX	18,441

### T7M-H, 1200A, 600V

Electronic

Breaker	IC at 480VAC kA	Trip unit	3 pole, 600V catalog number	List price
T7M-H	65	PR231/P-LS/I	T7MHBB3EB000000XX	\$ 16,129
		PR232/P-LSI	T7MHBB3EC000000XX	16,390
		PR331/P-LSIG	T7MHBB3EE000000XX	18,313
		PR332/P-LI	T7MHBB3EP000000XX	16,782
		PR332/P-LSI	T7MHBB3ER000000XX	17,930
		PR332/P-LSIG	T7MHBB3ES000000XX	19,363

### T7M-L, 1200A, 600V

Electronic

Breaker	IC at 480VAC kA	Trip unit	3 pole, 600V catalog number	List price
T7M-L	100	PR231/P-LS/I	T7MLBB3EB000000XX	\$ 17,050
		PR232/P-LSI	T7MLBB3EC000000XX	17,311
		PR331/P-LSIG	T7MLBB3EE000000XX	19,234
		PR332/P-LI	T7MLBB3EP000000XX	17,703
		PR332/P-LSI	T7MLBB3ER000000XX	18,852
		PR332/P-LSIG	T7MLBB3ES000000XX	20,284

16

## T7M

### 1000A, 1200A, 600V Δ - Three Pole

### Electronic 100% Rated

#### T7M-S, 1000A, 600V

Electronic

Breaker	IC at 480VAC kA	Trip unit	3 pole, 600V catalog number	List price
T7M-S	50	PR231/P-LS/I	T7MSQP3DB000000XX	<b>\$ 12,390</b>
		PR232/P-LSI	T7MSQP3DC000000XX	<b>12,676</b>
		PR331/P-LSIG	T7MSQP3DE000000XX	<b>14,792</b>
		PR332/P-LI	T7MSQP3DP000000XX	<b>13,108</b>
		PR332/P-LSI	T7MSQP3DR000000XX	<b>14,373</b>
		PR332/P-LSIG	T7MSQP3DS000000XX	<b>15,947</b>

#### T7M-H, 1000A, 600V

Electronic

Breaker	IC at 480VAC kA	Trip unit	3 pole, 600V catalog number	List price
T7M-H	65	PR231/P-LS/I	T7MHQP3DB000000XX	<b>\$ 13,131</b>
		PR232/P-LSI	T7MHQP3DC000000XX	<b>14,417</b>
		PR331/P-LSIG	T7MHQP3DE000000XX	<b>15,532</b>
		PR332/P-LI	T7MHQP3DP000000XX	<b>13,848</b>
		PR332/P-LSI	T7MHQP3DR000000XX	<b>15,113</b>
		PR332/P-LSIG	T7MHQP3DS000000XX	<b>16,687</b>

#### T7M-L, 1000A, 600V

Electronic

Breaker	IC at 480VAC kA	Trip unit	3 pole, 600V catalog number	List price
T7M-L	100	PR231/P-LS/I	T7MLQP3DB000000XX	<b>\$ 13,529</b>
		PR232/P-LSI	T7MLQP3DC000000XX	<b>14,157</b>
		PR331/P-LSIG	T7MLQP3DE000000XX	<b>16,272</b>
		PR332/P-LI	T7MLQP3DP000000XX	<b>14,588</b>
		PR332/P-LSI	T7MLQP3DR000000XX	<b>15,853</b>
		PR332/P-LSIG	T7MLQP3DS000000XX	<b>17,426</b>

#### T7M-S, 1200A, 600V

Electronic

Breaker	IC at 480VAC kA	Trip unit	3 pole, 600V catalog number	List price
T7M-S	50	PR231/P-LS/I	T7MSQB3EB000000XX	<b>\$ 16,729</b>
		PR232/P-LSI	T7MSQB3EC000000XX	<b>17,016</b>
		PR331/P-LSIG	T7MSQB3EE000000XX	<b>19,131</b>
		PR332/P-LI	T7MSQB3EP000000XX	<b>17,447</b>
		PR332/P-LSI	T7MSQB3ER000000XX	<b>18,710</b>
		PR332/P-LSIG	T7MSQB3ES000000XX	<b>20,285</b>

#### T7M-H, 1200A, 600V

Electronic

Breaker	IC at 480VAC kA	Trip unit	3 pole, 600V catalog number	List price
T7M-H	65	PR231/P-LS/I	T7MQB3EB000000XX	<b>\$ 17,742</b>
		PR232/P-LSI	T7MQB3EC000000XX	<b>18,029</b>
		PR331/P-LSIG	T7MQB3EE000000XX	<b>20,144</b>
		PR332/P-LI	T7MQB3EP000000XX	<b>18,460</b>
		PR332/P-LSI	T7MQB3ER000000XX	<b>19,723</b>
		PR332/P-LSIG	T7MQB3ES000000XX	<b>21,299</b>

#### T7M-L, 1200A, 600V

Electronic

Breaker	IC at 480VAC kA	Trip unit	3 pole, 600V catalog number	List price
T7M-L	100	PR231/P-LS/I	T7MLQB3EB000000XX	<b>\$ 18,755</b>
		PR232/P-LSI	T7MLQB3EC000000XX	<b>19,042</b>
		PR331/P-LSIG	T7MLQB3EE000000XX	<b>21,157</b>
		PR332/P-LI	T7MLQB3EP000000XX	<b>19,473</b>
		PR332/P-LSI	T7MLQB3ER000000XX	<b>20,737</b>
		PR332/P-LSIG	T7MLQB3ES000000XX	<b>22,312</b>

# T7M

## 1000A, 1200A, 600V Δ - Four Pole Electronic

Tmax  
MCCBs

### T7M-S, 1000A, 600V

Electronic

Breaker	IC at 480VAC kA	Trip unit	4 pole, 600V catalog number	List price
T7M-S	50	PR231/P-LS/I	T7MSBP4DB000000XX	<b>\$ 15,206</b>
		PR232/P-LSI	T7MSBP4DC000000XX	<b>15,557</b>
		PR331/P-LSIG	T7MSBP4DE000000XX	<b>18,153</b>
		PR332/P-LI	T7MSBP4DP000000XX	<b>16,087</b>
		PR332/P-LSI	T7MSBP4DR000000XX	<b>17,639</b>
		PR332/P-LSIG	T7MSBP4DS000000XX	<b>19,571</b>

### T7M-H, 1000A, 600V

Electronic

Breaker	IC at 480VAC kA	Trip unit	4 pole, 600V catalog number	List price
T7M-H	65	PR231/P-LS/I	T7MHBP4DB000000XX	<b>\$ 16,115</b>
		PR232/P-LSI	T7MHBP4DC000000XX	<b>16,466</b>
		PR331/P-LSIG	T7MHBP4DE000000XX	<b>19,062</b>
		PR332/P-LI	T7MHBP4DP000000XX	<b>16,995</b>
		PR332/P-LSI	T7MHBP4DR000000XX	<b>18,548</b>
		PR332/P-LSIG	T7MHBP4DS000000XX	<b>20,480</b>

### T7M-L, 1000A, 600V

Electronic

Breaker	IC at 480VAC kA	Trip unit	4 pole, 600V catalog number	List price
T7M-L	100	PR231/P-LS/I	T7MLBP4DB000000XX	<b>\$ 16,604</b>
		PR232/P-LSI	T7MLBP4DC000000XX	<b>17,375</b>
		PR331/P-LSIG	T7MLBP4DE000000XX	<b>19,971</b>
		PR332/P-LI	T7MLBP4DP000000XX	<b>17,904</b>
		PR332/P-LSI	T7MLBP4DR000000XX	<b>19,456</b>
		PR332/P-LSIG	T7MLBP4DS000000XX	<b>21,387</b>

### T7M-S, 1200A, 600V

Electronic

Breaker	IC at 480VAC kA	Trip unit	4 pole, 600V catalog number	List price
T7M-S	50	PR231/P-LS/I	T7MSBB4EB000000XX	<b>\$ 20,531</b>
		PR232/P-LSI	T7MSBB4EC000000XX	<b>20,883</b>
		PR331/P-LSIG	T7MSBB4EE000000XX	<b>23,479</b>
		PR332/P-LI	T7MSBB4EP000000XX	<b>21,412</b>
		PR332/P-LSI	T7MSBB4ER000000XX	<b>22,962</b>
		PR332/P-LSIG	T7MSBB4ES000000XX	<b>24,895</b>

### T7M-H, 1200A, 600V

Electronic

Breaker	IC at 480VAC kA	Trip unit	4 pole, 600V catalog number	List price
T7M-H	65	PR231/P-LS/I	T7MHBB4EB000000XX	<b>\$ 21,774</b>
		PR232/P-LSI	T7MHBB4EC000000XX	<b>22,127</b>
		PR331/P-LSIG	T7MHBB4EE000000XX	<b>24,723</b>
		PR332/P-LI	T7MHBB4EP000000XX	<b>22,656</b>
		PR332/P-LSI	T7MHBB4ER000000XX	<b>24,206</b>
		PR332/P-LSIG	T7MHBB4ES000000XX	<b>26,140</b>

### T7M-L, 1200A, 600V

Electronic

Breaker	IC at 480VAC kA	Trip unit	4 pole, 600V catalog number	List price
T7M-L	100	PR231/P-LS/I	T7MLBB4EB000000XX	<b>\$ 23,018</b>
		PR232/P-LSI	T7MLBB4EC000000XX	<b>23,370</b>
		PR331/P-LSIG	T7MLBB4EE000000XX	<b>25,966</b>
		PR332/P-LI	T7MLBB4EP000000XX	<b>23,899</b>
		PR332/P-LSI	T7MLBB4ER000000XX	<b>25,450</b>
		PR332/P-LSIG	T7MLBB4ES000000XX	<b>27,383</b>

16

## T7M

### 1000A, 1200A, 600V Δ - Four Pole

### Electronic 100% Rated

#### T7M-S, 1000A, 600V

Electronic

Breaker	IC at 480VAC kA	Trip unit	4 pole, 600V catalog number	List price
T7M-S	50	PR231/P-LS/I	T7MSQP4DB000000XX	<b>\$ 16,727</b>
		PR232/P-LSI	T7MSQP4DC000000XX	<b>17,113</b>
		PR331/P-LSIG	T7MSQP4DE000000XX	<b>19,969</b>
		PR332/P-LI	T7MSQP4DP000000XX	<b>17,695</b>
		PR332/P-LSI	T7MSQP4DR000000XX	<b>19,403</b>
		PR332/P-LSIG	T7MSQP4DS000000XX	<b>21,528</b>

#### T7M-H, 1000A, 600V

Electronic

Breaker	IC at 480VAC kA	Trip unit	4 pole, 600V catalog number	List price
T7M-H	65	PR231/P-LS/I	T7MHQP4DB000000XX	<b>\$ 17,726</b>
		PR232/P-LSI	T7MHQP4DC000000XX	<b>18,113</b>
		PR331/P-LSIG	T7MHQP4DE000000XX	<b>20,968</b>
		PR332/P-LI	T7MHQP4DP000000XX	<b>18,695</b>
		PR332/P-LSI	T7MHQP4DR000000XX	<b>20,402</b>
		PR332/P-LSIG	T7MHQP4DS000000XX	<b>22,527</b>

#### T7M-L, 1000A, 600V

Electronic

Breaker	IC at 480VAC kA	Trip unit	4 pole, 600V catalog number	List price
T7M-L	100	PR231/P-LS/I	T7MLQP4DB000000XX	<b>\$ 18,264</b>
		PR232/P-LSI	T7MLQP4DC000000XX	<b>19,112</b>
		PR331/P-LSIG	T7MLQP4DE000000XX	<b>21,968</b>
		PR332/P-LI	T7MLQP4DP000000XX	<b>19,694</b>
		PR332/P-LSI	T7MLQP4DR000000XX	<b>21,402</b>
		PR332/P-LSIG	T7MLQP4DS000000XX	<b>23,525</b>

#### T7M-S, 1200A, 600V

Electronic

Breaker	IC at 480VAC kA	Trip unit	4 pole, 600V catalog number	List price
T7M-S	50	PR231/P-LS/I	T7MSQB4EB000000XX	<b>\$ 22,584</b>
		PR232/P-LSI	T7MSQB4EC000000XX	<b>22,971</b>
		PR331/P-LSIG	T7MSQB4EE000000XX	<b>25,827</b>
		PR332/P-LI	T7MSQB4EP000000XX	<b>23,554</b>
		PR332/P-LSI	T7MSQB4ER000000XX	<b>25,258</b>
		PR332/P-LSIG	T7MSQB4ES000000XX	<b>27,385</b>

#### T7M-H, 1200A, 600V

Electronic

Breaker	IC at 480VAC kA	Trip unit	4 pole, 600V catalog number	List price
T7M-H	65	PR231/P-LS/I	T7MHQB4EB000000XX	<b>\$ 23,952</b>
		PR232/P-LSI	T7MHQB4EC000000XX	<b>24,339</b>
		PR331/P-LSIG	T7MHQB4EE000000XX	<b>27,195</b>
		PR332/P-LI	T7MHQB4EP000000XX	<b>24,921</b>
		PR332/P-LSI	T7MHQB4ER000000XX	<b>26,626</b>
		PR332/P-LSIG	T7MHQB4ES000000XX	<b>28,754</b>

#### T7M-L, 1200A, 600V

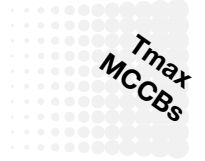
Electronic

Breaker	IC at 480VAC kA	Trip unit	4 pole, 600V catalog number	List price
T7M-L	100	PR231/P-LS/I	T7MLQB4EB000000XX	<b>\$ 25,319</b>
		PR232/P-LSI	T7MLQB4EC000000XX	<b>25,707</b>
		PR331/P-LSIG	T7MLQB4EE000000XX	<b>28,562</b>
		PR332/P-LI	T7MLQB4EP000000XX	<b>26,289</b>
		PR332/P-LSI	T7MLQB4ER000000XX	<b>27,995</b>
		PR332/P-LSIG	T7MLQB4ES000000XX	<b>30,122</b>



# T7M

## 1200A, 600V Δ - Molded Case Switch

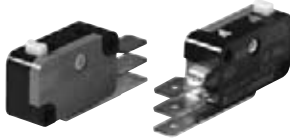


**T7**  
**1200A, 600V**  
Molded case switch

Breaker	IC at 480VAC kA	Amp	Magnetic override	3 pole, 600VAC catalog number	List price
T7M-H	-	1200	20,000	T7MH0B30D000000XX	<b>Consult factory</b>

*Call for availability!*

## Accessories Electrical T7M



Closing coils ①		Factory installation list price adder	Field installation catalog number	Field installation list price
T7M	415...440 VAC 380...400 VAC 240...250 VAC/DC 220...240 VAC/DC 120...127 VAC/DC 110...120 VAC/VDC 60 VAC/DC 48 VAC/DC 30 VAC/DC 24 VAC/DC	\$ 535	KT7MXC1 KT7MXC2 KT7MXC3 KT7MXC4 KT7MXC5 KT7MXC6 KT7MXC7 KT7MXC8 KT7MXC9 KT7MXC0	\$ 490

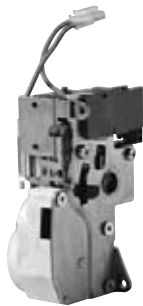
Auxiliary contacts		Factory installation list price adder	Field installation catalog number	Field installation list price
T7/T7M	2 Form C 400 VAC 2 Form C 24 VDC	\$ 446	KT7XAS2 KT7XAS2-AU	\$ 396

Ready to close auxiliaries (IEC)		Factory installation list price adder	Field installation catalog number	Field installation list price
T7M	24 VDC 250 VAC/DC	\$ 726	KT7MX-RTC24V KT7MX-RTC250V	\$ 676

Signals the circuit breaker is ready to accept a close signal if the following five conditions are met:

- Circuit breaker is open
- Closing springs are charged
- Any opening coil de-energized
- Any undervoltage coil energized
- Opening solenoid armed

Trip signal		Field/factory installation catalog number	Field/factory installation list price adder
T7M	Contact for signalling electronic trip unit tripped ①	KT7MTS	\$ 295



KT7MXM\*

Spring charging motor ①		Factory installation list price adder	Field installation catalog number	Field installation list price
T7M	380...415 VAC 220...250 VAC/DC 100...130 VAC/DC 48...60 VAC/DC 24...30 VAC/DC	\$ 1917	KT7MXM2 KT7MXM3 KT7MXM5 KT7MXM7 KT7MXM9	\$ 1867

Spring charged contacts (IEC)		Factory installation list price adder	Field installation catalog number	Field installation list price
T7M	Contact signalling springs charged 24 VDC Contact signalling springs charged 250 VAC/DC	\$ 361	KT7MX-SC24V KT7MX-SC250V	\$ 311

Stunt trip		Factory installation list price adder	Field installation catalog number	Field installation list price
T7/T7M	415...440 VAC 380...400 VAC 240...250 VAC/DC 220...240 VAC/DC 120...127 VAC/DC 110...120 VAC/DC 60 VAC/DC 48 VAC/DC 30 VAC/DC 24 VAC/DC	\$ 535	KT7XS1 KT7XS2 KT7XS3 KT7XS4 KT7XS5 KT7XS6 KT7XS7 KT7XS8 KT7XS9 KT7XS0	\$ 490

Undervoltage		Factory installation list price adder	Field installation catalog number	Field installation list price
T7/T7M	415...440 VAC 380...400 VAC 240...250 VAC/DC 220...240 VAC/DC 120...127 VAC/DC 110...120 VAC/DC 60 VAC/DC 48 VAC/DC 30 VAC/DC 24 VAC/DC	\$ 535	KT7XU1 KT7XU2 KT7XU3 KT7XU4 KT7XU5 KT7XU6 KT7XU7 KT7XU8 KT7XU9 KT7XU0	\$ 490

Trip reset (IEC)		Factory installation list price adder	Field installation catalog number	Field installation list price
T7M	Trip reset command 24-30 VAC/DC Trip reset command 110-130 VAC/DC Trip reset command 200-240 VAC/DC	\$ 818	KT7MX-TR9 KT7MX-TR5 KT7MX-TR4	\$ 768

Allows remote circuit breaker resetting following a trip of the overcurrent release

- ① Not Suitable for T7 toggle version.  
② Always supplied with PR332/P trip units



KT7XU\*

# Accessories Mechanical T7M

Tmax  
MCCBs

## Terminal lugs

Frame Size <sup>①</sup>	Wire Size	Catalog number (3 pieces)	List Price	Catalog number (4 pieces)	List Price
T7/T7M ①	(4) 4/0-500 kxmil	KT7X1200-3 ①	<b>\$ 560</b>	KT7X1200-4 ①	<b>\$ 747</b>

## Terminal covers - Low profile - kit includes two pieces-fixed breakers

Frame Size <sup>①</sup>	Catalog number (3 pole)	List Price	Catalog number (4 pole)	List Price
T7/T7M ②	KT7XLTC-3	<b>\$ 80</b>	KT7XLTC-4	<b>\$ 108</b>

## Terminal covers - High profile - kit includes two pieces

Frame Size <sup>①</sup>	Catalog number (3 pole)	List Price	Catalog number (4 pole)	List Price
T7/T7M	KT7XHTC-3	<b>\$ 90</b>	KT7XHTC-4	<b>\$ 115</b>

## Phase barriers - Low profile 100mm - 3.93 in

Frame Size <sup>①</sup>	Catalog number 4 pcs (3 pole)	List Price	Catalog number 6 pcs (4 pole)	List Price
T7/T7M	KT7PBL-3 ②	<b>\$ 50</b>	KT7PBL-4	<b>\$ 68</b>

## Phase barriers - High profile 200mm - 7.87 in

Frame	Catalog number 4 pcs (3 pole)	List Price	Catalog number 6 pcs (4 pole)	List Price
T7/T7M	KT7PBH-3	<b>\$ 67</b>	KT7PBH-4	<b>\$ 90</b>

## Mechanical operation counter ③

Frame	Field/factory installation catalog number	Field/factory installation list price
T7M	Mechanical counter ③	KT7MXMC <b>\$ 866</b>

## Transparent protection for buttons ③

Frame	Field/factory installation catalog number	Field/factory installation list price
T7M	Button Guard ③	KT7MXPBG <b>\$ 112</b>

## Padlock provision ③

Frame	Field/factory installation catalog number	Field/factory installation list price
T7M	Padlock-open ③	KT7MXLDO <b>\$ 260</b>

## Key locks

Frame Size <sup>①</sup>	Key lock open position	Field/factory installation catalog number	Field/factory installation list price
T7M	Key lock on breaker open position key lock # 20005 ③	KT7MKL2	<b>\$ 121</b>
	Key lock on breaker open position different keys ③	KT7MKL1	<b>121</b>

## Mechanical interlock

Frame	Catalog part number	List price
T7M/T7M	Cable T7	KT7XMLC <b>\$ 270</b>
	Mechanical interlock plate - drawout	KT7XMLPW <b>670</b>
	Mechanical interlock plate - fixed	KT7XMLPF <b>670</b>

## IP54 door protection ③

Frame	Field Installation catalog number	List price
T7M	Protective cover ③	KT7MXDC <b>\$ 1,200</b>

① Comes standard with high profile terminal covers.

② Fixed breakers only

③ Not Suitable for T7 toggle version

KT7MXMC



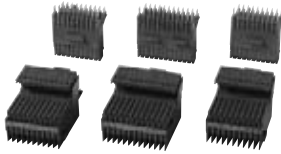
KT7XPBG



KT7MKL\*



## Accessories Mechanical T7M



Sliding Contacts

### Draw-out kits

Frame	Adaptor moving part	List price	Fixed Part	List price
T7M 3 Pole with horizontal/vertical terminals	KT7XWMK	<b>\$ 755</b>	KT7WFHR	<b>\$ 2,567</b>

### Sliding contact blocks

T7M - Drawout	Moving part breaker	List price	Fixed part cradle	List price
<b>Left Block</b> Spring charging motor Spring charged contact Ready to close contact Early auxiliary contact Contact for trip coil trip release Trip reset	KT7XSCMP-L	<b>\$ 160</b>	KT7XSCFP-L	<b>\$ 310</b>
<b>Center Block</b> PR331 PR332	KT7XSCMP-C	<b>160</b>	KT7XSCFP-C	<b>310</b>
<b>Right Block</b> Auxiliary contacts Shunt trip Closing coil Undervoltage release	KT7XSCMP-R	<b>160</b>	KT7XSCFP-R	<b>310</b>

If at least one of the accessories in the table is installed on the breaker - respective pair of contact blocks must be installed on the fixed part (cradle) and the moving part (breaker)

### Position key lock

Locks drawout breaker in racked-in/test-isolated/racked-out	Catalog number	List price
Key #20005 Different keys	KT7XPL2 KT7XPL1	<b>\$ 252</b>

### Position lock accessory

Added to position lock allows breaker to be locked in racked out position only	Catalog number	List price
Position lock accessory	KT7XPLA	<b>\$ 35</b>

### Rating plugs (UL)

T7/T7M	400A Rating plug 600A Rating plug 800A Rating plug 1000A Rating plug 1200A Rating plug	Catalog number KT7X0400RP KT7X0600RP KT7X0800RP KT7X1000RP KT7X1200RP	Field installation List price <b>\$ 125</b>
--------	--	--	--

### Modules for T7M PR332 trip units

T7/T7M	Voltage module ① Communication module (Modbus RTU)	Catalog number PR330/VT7MX1 PR330/D-M	Factory installation list price adder <b>\$ 5,050</b> <b>4,500</b>	Field installation list price — <b>\$ 4,500</b>
--------	---	---	--	---

### External units

T7/T7M	Battery power supply unit ② External Bluetooth communication module Includes diagnostic software for Modbus/Bluetooth networks Test configuration unit Allows tripping of all electronic trip units for Tmax (except PR33x)	Catalog number PR030/B BT030 PR010/T K7TUT	Field installation list price <b>\$ 275</b> <b>3335</b> <b>12,500</b> <b>210</b>
--------	---	--	--



PR330/D-M

# Technical data T7/T7M

## Shunt tips, closing coil, Undervoltage & spring charging motor

Tmax  
MCCBs

### Standard shunt trip

Inrush Power Consumption	T7/T7M	
	AC (VA)	DC (W)
Voltage		
24 VAC/DC	300	300
30 VAC/DC	300	300
48 VAC/DC	300	300
60 VAC/DC	300	300
110...120 VAC/DC	300	300
120...127 VAC/DC	300	300
220...240 VAC/DC	300	300
240...240 VAC/DC	300	300
380...400 VAC	300	—
415...440 VAC	300	—
Opening time (ms)	20	20

### Undervoltage

Inrush Power Consumption	T7/T7M	
	AC (VA)	DC (W)
Voltage		
24 VAC/DC	3.5	3.5
30 VAC/DC	3.5	3.5
110...120 VAC/DC	3.5	3.5
120...127 VAC/DC	3.5	3.5
220...240 VAC	3.5	3.5
240...250 VAC/DC	3.5	3.5
380...400 VAC	3.5	—
415...440 VAC	3.5	—
Opening time (ms)	≤ 25	≤ 25

### Closing coil

Inrush Power Consumption	T7M	
	AC (VA)	DC (W)
Voltage		
24 VAC/DC	300	300
30 VAC/DC	300	300
48 VAC/DC	300	300
60 VAC/DC	300	300
110...120 VAC/DC	300	300
120...127 VAC/DC	300	300
220...240 VAC/DC	300	300
240...240 VAC/DC	300	300
380...400 VAC	300	—
415...440 VAC	300	—
Opening time (ms)	20	20

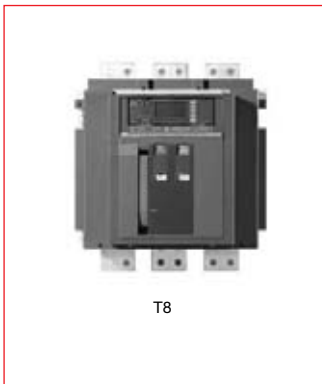
### Spring charging motor

Power Consumption	T7M	
	AC (VA)	DC (W)
Voltage		
24...30 VAC/DC	≤ 100	≤ 100
48...60 VAC/DC	≤ 100	≤ 100
100...130 VAC/DC	≤ 100	≤ 100
220...250 VAC/DC	≤ 100	≤ 100
380...415 VAC	≤ 100	—
Opening voltage (% Un)	85-110	85-110
Charging time (s)	8-10	8-10

## T8

### 1600/2000/2500/3000A, 600VAC $\Delta$

### Electronic trip



**Dimensions** 3P Fixed Version 15.0H x 16.8W x 11.2D

**Weight** 161 lbs (1600, 2000, 2500A)  
236 lbs (3000A)

#### General

The T8 is available in a 1600A, 2000A, 2500A, 3000A frame with a microprocessor over current protective trip system.

#### Standards

The UL489/CSA 22.2 version of the T8 also carries an IEC-60947-2 rating.

#### Versions

To meet all application requirements the T8 is available in the following versions:

- C = Adjustable LSI PR232/P-T8 Dip switch settings
- D = Molded Case Switch
- E = Adjustable LSIG PR331/P Dip switch settings
- P = Adjustable LI PR332/P LCD Display
- R = Adjustable LSI PR332/P LCD Display
- S = Adjustable LSIG PR332/P LCD Display

#### Trip functions

These trip functions are available:

- L = Long time
- S = Short time
- I = Instantaneous
- G = Ground fault

#### Performance levels

Each version is also available at the following maximum fault interrupting level:

- V = Very high

#### UL489/CSA C22.2 Interrupting capacity (kA RMS)

Voltage	V
240VAC	125
480VAC	125
600VAC	100
DC	—

#### IEC 60947-2 Interrupting capacity (kA RMS)

Voltage	V
230VAC	130
415VAC	130
440VAC	100
690VAC	80
DC	—

## 16 Number of poles

The T8 is available in three and four pole versions.

# General Information

## Catalog number explanation

Tmax  
MCCBs

**T 8 V**

### Locking provisions:

**X** = None; **A** = Keylock  
**B** = Button guard  
**C** = Padlock Provision  
**D** = A+B; **E** = A+C

### Accessories

**X** = None; **A** = Mechanical counter; **B** = Bell Alarm  
**C** = Bell Alarm w/remotely reset, 24..30 VAC/DC  
**D** = Bell Alarm w/remotely reset 110..130 VAC/DC  
**E** = Bell Alarm w/remotely reset 220..240 VAC/DC  
**F** = A+B; **G** = A+C; **H** = A+D; **J** = A+E

### Undervoltage

**0** = None  
**A** = 24 VDC; **B** = 30 VAC/DC  
**C** = 48 VAC/DC; **D** = 60 VAC/DC  
**E** = 110..120 VAC/DC; **F** = 125..127 VAC/DC  
**G** = 220..240 VAC/DC; **H** = 250 VAC/DC  
**J** = 380..400 VAC; **K** = 440 VAC

### Second shunt trip:

**L** = 24 VDC; **M** = 30 VAC/DC  
**N** = 48 VAC/DC; **P** = 60 VAC/DC  
**Q** = 110..120 VAC/DC; **R** = 125..127 VAC/DC  
**S** = 220..240 VAC/DC; **T** = 250 VAC/DC  
**U** = 380..400 VAC; **V** = 440..480 VAC

### Shunt trip

**0** = None  
**A** = 24 VDC; **B** = 30 VAC/DC; **C** = 48 VAC/DC;  
**D** = 60 VAC/DC; **E** = 110..120 VAC/DC  
**F** = 120..127 VAC/DC; **G** = 220..240 VAC/DC;  
**H** = 240..250 VAC/DC; **J** = 380..400 VAC;  
**K** = 440 VAC

### Spring charging Motor:

**0** = None  
**A** = 24..30 VAC/DC; **B** = 48..60 VAC/DC;  
**C** = 100..130 VAC/DC; **D** = 220..250 VAC/DC

### Contacts:

**0** = None  
**A** = 4 aux contacts; (supplied as standard for breakers with PR332 trip units)  
**B** = 4 aux contacts digital (24V)  
**D** = UV energ NO; **E** = UV energ NC;  
**F** = A+D; **G** = A+E; **H** = B+D; **I** = B+E

### Closing Coil:

**0** = None  
**A** = 24 VDC; **B** = 30 VAC/DC; **C** = 48 VAC/DC; **D** = 60 VAC/DC; **E** = 110..120 VAC/DC;  
**F** = 120..127 VAC/DC; **G** = 220..240 AC/DC; **H** = 240..250 VAC/DC; **J** = 380..400 VAC; **K** = 440VAC

### Trip Unit Accessories: PR332/P ONLY

**0** = None  
**B** = Voltage measuring module; **C** = Modbus module

### Trip Unit:

**C** = PR232/P-T8-LSI; **D** = Non-Automatic (MCS); **E** = PR331/P-LSIG;  
**P** = PR332/P-LI; **R** = PR332/P-LSI; **S** = PR332/P-LSIG

### Rating Plug:

**D** = 1000; **E** = 1200; **F** = 1600; **G** = 2000; **H** = 2500; **J** = 3000, 3200; **0** = Non-Automatic (MCS)

### Frame Amp Rating:

**C3** = 1600 (3P UL only); **D3** = 2000 (3P); **E3** = 2500 (3P); **F3** = 3000 UL/3200 IEC (3P)  
**C4** = 1600 (4P UL only); **D4** = 2000 (4P); **E4** = 2500 (4P); **F4** = 3000 UL/3200 IEC (4P)

### Version:

**B** = UL Fixed; **Q** = UL Fixed 100% Rated; **0** = Fixed Non-Automatic (MCS)

### Breaking capacity:

**V** = Very High; **L** (IEC only. Call factory for IEC breaker pricing.)

## T8

### 1600/2000/2500/3000A 600VΔ - Three Pole Electronic (AC Only)

#### 1600A Frame, electronic trip unit (AC only) standard horizontal terminals

Breaker	IC at 480VAC kA	Trip Unit	3 pole, 600V catalog number	List price
T8V	125	PR232 LSI (Dip Switch)	T8VBC3FC000000XX	<b>\$ 21,244</b>
		PR331 LSI (Dip Switch)	T8VBC3FE000000XX	<b>24,016</b>
		PR332 LI (LCD)	T8VBC3FP00A000XX ①	<b>24,972</b>
		PR332 LSI (LCD)	T8VBC3FR00A000XX ①	<b>25,866</b>
		PR332 LSI (LCD)	T8VBC3FS00A000XX ①	<b>27,346</b>

#### 2000A Frame, electronic trip unit (AC only) standard horizontal terminals

Breaker	IC at 480VAC kA	Trip Unit	3 pole, 600V catalog number	List price
T8V	125	PR232 LSI (Dip Switch)	T8VBD3GC000000XX	<b>\$ 24,922</b>
		PR331 LSI (Dip Switch)	T8VBD3GE000000XX	<b>27,414</b>
		PR332 LI (LCD)	T8VBD3GP00A000XX ①	<b>28,434</b>
		PR332 LSI (LCD)	T8VBD3GR00A000XX ①	<b>29,359</b>
		PR332 LSI (LCD)	T8VBD3GS00A000XX ①	<b>30,839</b>

#### 2500A Frame, electronic trip unit (AC only) standard horizontal terminals

Breaker	IC at 480VAC kA	Trip Unit	3 pole, 600V catalog number	List price
T8V	125	PR232 LSI (Dip Switch)	T8VBE3HC000000XX	<b>\$ 33,577</b>
		PR331 LSI (Dip Switch)	T8VBE3HE000000XX	<b>37,213</b>
		PR332 LI (LCD)	T8VBE3HP00A000XX ①	<b>38,416</b>
		PR332 LSI (LCD)	T8VBE3HR00A000XX ①	<b>39,433</b>
		PR332 LSI (LCD)	T8VBE3HS00A000XX ①	<b>40,595</b>

#### 3000A Frame, electronic trip unit (AC only) standard with vertical terminals - Required

Breaker	IC at 480VAC kA	Trip Unit	3 pole, 600V catalog number	List price
T8V	125	PR232 LSI (Dip Switch)	T8VBF3JC000000XX	<b>\$ 56,472</b>
		PR331 LSI (Dip Switch)	T8VBF3JE000000XX	<b>60,618</b>
		PR332 LI (LCD)	T8VBF3JP00A000XX ①	<b>61,185</b>
		PR332 LSI (LCD)	T8VBF3JR00A000XX ①	<b>62,431</b>
		PR332 LSI (LCD)	T8VBF3JS00A000XX ①	<b>63,911</b>

① Includes 4 open/closed auxiliary contacts as standard



# T8

## 1600/2000/2500/3000A 600VΔ - Three Pole Electronic (AC Only) 100% Rated

Tmax  
MCCBs

### 1600A Frame, electronic trip unit (AC only) standard horizontal terminals

Breaker	IC at 480VAC kA	Trip Unit	3 pole, 600V catalog number	List price
T8V	125	PR232 LSI (Dip Switch)	T8VQC3FC000000XX	<b>\$ 23,368</b>
		PR331 LSI (Dip Switch)	T8VQC3FE000000XX	<b>26,418</b>
		PR332 LI (LCD)	T8VQC3FP00A000XX ①	<b>27,469</b>
		PR332 LSI (LCD)	T8VQC3FR00A000XX ①	<b>28,453</b>
		PR332 LSI (LCD)	T8VQC3FS00A000XX ①	<b>30,080</b>

### 2000A Frame, electronic trip unit (AC only) standard horizontal terminals

Breaker	IC at 480VAC kA	Trip Unit	3 pole, 600V catalog number	List price
T8V	125	PR232 LSI (Dip Switch)	T8VQD3GC000000XX	<b>\$ 27,414</b>
		PR331 LSI (Dip Switch)	T8VQD3GE000000XX	<b>30,155</b>
		PR332 LI (LCD)	T8VQD3GP00A000XX ①	<b>31,277</b>
		PR332 LSI (LCD)	T8VQD3GP00A000XX ①	<b>32,295</b>
		PR332 LSI (LCD)	T8VQD3GR00A000XX ①	<b>33,923</b>

### 2500A Frame, electronic trip unit (AC only) standard with vertical terminals - Required

Breaker	IC at 480VAC kA	Trip Unit	3 pole, 600V catalog number	List price
T8V	125	PR232 LSI (Dip Switch)	T8VQE3HC000000XX	<b>\$ 36,934</b>
		PR331 LSI (Dip Switch)	T8VQE3HE000000XX	<b>40,934</b>
		PR332 LI (LCD)	T8VQE3HP00A000XX ①	<b>42,258</b>
		PR332 LSI (LCD)	T8VQE3HR00A000XX ①	<b>43,376</b>
		PR332 LSI (LCD)	T8VQE3HS00A000XX ①	<b>44,655</b>

### 3000A Frame, electronic trip unit (AC only) standard with vertical terminals - Required

Breaker	IC at 480VAC kA	Trip Unit	3 pole, 600V catalog number	List price
T8V	125	PR232 LSI (Dip Switch)	T8VQF3JC000000XX	<b>\$ 62,119</b>
		PR331 LSI (Dip Switch)	T8VQF3JE000000XX	<b>66,680</b>
		PR332 LI (LCD)	T8VQF3JP00A000XX ①	<b>67,304</b>
		PR332 LSI (LCD)	T8VQF3JR00A000XX ①	<b>68,674</b>
		PR332 LSI (LCD)	T8VQF3JS00A000XX ①	<b>70,302</b>

① Includes 4 open/closed auxiliary contacts as standard

## T8

### 1600/2000/2500/3000A 600VΔ — Four pole Electronic (AC Only)

#### 1600A Frame, electronic trip unit (AC only) standard horizontal terminals

Breaker	IC at 480VAC kA	Trip Unit	4 pole, 600V catalog number	List price
T8V	125	PR232 LSI (Dip Switch)	T8VBC4FC000000XX	<b>\$ 28,679</b>
		PR331 LSI (Dip Switch)	T8VBC4FE000000XX	<b>32,422</b>
		PR332 LI (LCD)	T8VBC4FP00A000XX ①	<b>33,713</b>
		PR332 LSI (LCD)	T8VBC4FR00A000XX ①	<b>34,919</b>
		PR332 LSI (LCD)	T8VBC4FS00A000XX ①	<b>36,917</b>

#### 2000A Frame, electronic trip unit (AC only) standard horizontal terminals

Breaker	IC at 480VAC kA	Trip Unit	4 pole, 600V catalog number	List price
T8V	125	PR232 LSI (Dip Switch)	T8VBD4GC000000XX	<b>\$ 33,645</b>
		PR331 LSI (Dip Switch)	T8VBD4GE000000XX	<b>37,009</b>
		PR332 LI (LCD)	T8VBD4GP00A000XX ①	<b>38,386</b>
		PR332 LSI (LCD)	T8VBD4GR00A000XX ①	<b>39,635</b>
		PR332 LSI (LCD)	T8VBD4GS00A000XX ①	<b>41,632</b>

#### 2500A Frame, electronic trip unit (AC only) standard horizontal terminals

Breaker	IC at 480VAC kA	Trip Unit	4 pole, 600V catalog number	List price
T8V	125	PR232 LSI (Dip Switch)	T8VBE4HC000000XX	<b>\$ 45,329</b>
		PR331 LSI (Dip Switch)	T8VBE4HE000000XX	<b>50,238</b>
		PR332 LI (LCD)	T8VBE4HP00A000XX ①	<b>51,862</b>
		PR332 LSI (LCD)	T8VBE4HR00A000XX ①	<b>53,234</b>
		PR332 LSI (LCD)	T8VBE4HS00A000XX ①	<b>54,803</b>

#### 3000A Frame, electronic trip unit (AC only) standard with vertical terminals - Required

Breaker	IC at 480VAC kA	Trip Unit	4 pole, 600V catalog number	List price
T8V	125	PR232 LSI (Dip Switch)	T8VBF4JC000000XX	<b>\$ 76,237</b>
		PR331 LSI (Dip Switch)	T8VBF4JE000000XX	<b>81,834</b>
		PR332 LI (LCD)	T8VBF4JP00A000XX ①	<b>82,600</b>
		PR332 LSI (LCD)	T8VBF4JR00A000XX ①	<b>84,282</b>
		PR332 LSI (LCD)	T8VBF4JS00A000XX ①	<b>86,280</b>

① Includes 4 open/closed auxiliary contacts as standard

# T8

## 1600/2000/2500/3000A 600VΔ—Four pole Electronic (AC Only) 100% Rated

Tmax  
MCCBs

### 1600A Frame, electronic trip unit (AC only) standard horizontal terminals

Breaker	IC at 480VAC kA	Trip Unit	4 pole, 600V catalog number	List price
T8V	125	PR232 LSI (Dip Switch)	T8VQC4FC000000XX	<b>\$ 31,547</b>
		PR331 LSI (Dip Switch)	T8VQC4FE000000XX	<b>35,664</b>
		PR332 LI (LCD)	T8VQC4FP00A000XX ①	<b>37,084</b>
		PR332 LSI (LCD)	T8VQC4FR00A000XX ①	<b>38,410</b>
		PR332 LSI (LCD)	T8VQC4FS00A000XX ①	<b>40,609</b>

### 2000A Frame, electronic trip unit (AC only) standard horizontal terminals

Breaker	IC at 480VAC kA	Trip Unit	4 pole, 600V catalog number	List price
T8V	125	PR232 LSI (Dip Switch)	T8VQD4GC000000XX	<b>\$ 37,009</b>
		PR331 LSI (Dip Switch)	T8VQD4GE000000XX	<b>40,710</b>
		PR332 LI (LCD)	T8VQD4GP00A000XX ①	<b>42,224</b>
		PR332 LSI (LCD)	T8VQC4GR00A000XX ①	<b>43,598</b>
		PR332 LSI (LCD)	T8VQD4GS00A000XX ①	<b>45,796</b>

### 2500A Frame, electronic trip unit (AC only) standard vertical terminals - Required

Breaker	IC at 480VAC kA	Trip Unit	4 pole, 600V catalog number	List price
T8V	125	PR232 LSI (Dip Switch)	T8VQE4HC000000XX	<b>\$ 49,862</b>
		PR331 LSI (Dip Switch)	T8VQE4HE000000XX	<b>55,261</b>
		PR332 LI (LCD)	T8VQE4HP00A000XX ①	<b>57,048</b>
		PR332 LSI (LCD)	T8VQE4HR00A000XX ①	<b>58,558</b>
		PR332 LSI (LCD)	T8VQE4HS00A000XX ①	<b>60,284</b>

### 3000A Frame, electronic trip unit (AC only) standard with vertical terminals - Required

Breaker	IC at 480VAC kA	Trip Unit	4 pole, 600V catalog number	List price
T8V	125	PR232 LSI (Dip Switch)	T8VQF4JC000000XX	<b>\$ 83,861</b>
		PR331 LSI (Dip Switch)	T8VQF4JE000000XX	<b>90,017</b>
		PR332 LI (LCD)	T8VQF4JP00A000XX ①	<b>90,860</b>
		PR332 LSI (LCD)	T8VQF4JR00A000XX ①	<b>92,710</b>
		PR332 LSI (LCD)	T8VQF4JS00A000XX ①	<b>94,907</b>

① Includes 4 open/closed auxiliary contacts as standard

# T8

## 2000/2500/3000A 600VΔ

### Molded Case Switch

T8V-D	
Rated Voltage	
AC	600VAC
DC	—
Magnetic Override	40000

*Call for availability!*

#### 2000A Frame, standard horizontal terminals

Breaker		3 pole, 600V catalog number	List price
T8V-D		T8V0D30D3000000XX	<b>Consult factory</b>

#### 2500A Frame, standard horizontal terminals

Breaker		3 pole, 600V catalog number	List price
T8V-D		T8V0E30D0000000XX	<b>Consult factory</b>

#### 3000A Frame, standard with vertical terminals - Required

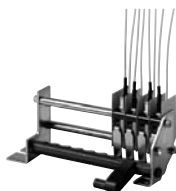
Breaker		3 pole, 600V catalog number	List price
T8V-D		T8V0F30D0000000XX	<b>Consult factory</b>

# Accessories Electrical T8

Tmax  
MCCBs



KE6C\*



KT8A4



KE6M\*

UL Rating plugs		Catalog number	List price
T8	1000A Rating plug 1200A Rating plug 1600A Rating plug 2000A Rating plug 2500A Rating plug 3000A Rating plug	KT81000RP KT81200RP KT81600RP KT82000RP KT82500RP KT83000RP	\$ 125
Accessories for trip units		Field/factory installation catalog number	Field/factory installation list price
T8	Communication module (Modbus (RTU) External wireless communication module Power supply unit	PR330/D-M ② BT030 PR030/B	\$ 4,500 3,335 275
	Voltage module, 3 pole ③ Voltage module, 4 pole ③	PR330/V-T83 PR330/V-T84	Consult factory
Current sensor for external neutral		Field installation catalog number	Field installation list price
T8	Current sensor for external neutral 1000A-3000A	KT8NCT	Consult factory
Closing coil		Field/factory installation catalog number	Field/factory installation list price
T8	440 VAC 380...400VAC 240...250 VAC/DC 220...240 VAC/DC 120...127 VAC/DC 110...120 VAC/DC 60 VAC/DC 48 VAC/DC 30 VAC/DC 24 VDC	KE6C1 KE6C2 KE6C3 KE6C4 KE6C5 KE6C6 KE6C7 KE6C8 KE6C9 KE6C0	\$ 374
Auxiliary contacts		Field/factory installation catalog number	Field/factory installation list price
T8	4 open/closed PR232-T8/PR331 4 open/closed PR332 ① 4 open/closed 24V PR232-T8/PR331 4 open/closed 24V PR332	KT8A4 KT8A4-PR332 KT8A4D KT8A4D-PR332	\$ 600
Bell alarm		Field/factory installation catalog number	Field/factory installation list price
T8	Allows visual signaling (mechanical) and remote signaling (electrical) of circuit breaker opening by overcurrent release	DE6TBA	\$ 348
Bell alarm with remote reset command		Field/factory installation catalog number	Field/factory installation list price
T8	Remote setting of circuit breaker after opening by overcurrent release 220-240 VAC/DC	DE6TBAR4	\$ 545
	Remote setting of circuit breaker after opening by overcurrent release 110-130 VAC/DC	DE6TBAR5	
	Remote setting of circuit breaker after opening by overcurrent release 24-30 VAC/DC	DE6TBAR9	
Contact signaling undervoltage de-energized		Field/factory installation catalog number	Field/factory installation list price
T8	NC UV signaling contact NO UV signaling contact	KE6UE01 KE6UE10	\$ 82
Spring charging motor		Field/factory installation catalog number	Field/factory installation list price
T8	24...30 VAC/DC 48...60 VAC/DC 100...130 VAC/DC 220...250 VAC/DC	KE6M9 KE6M7 KE6M5 KE6M3	\$ 1,613

① Included as standard on breakers ordered with PR332 trip unit

② Discount schedule SAT (T0)

③ Factory install only.

# Accessories Electrical T8



KE6S\*

### Shunt trip

		Field/factory installation catalog number	Field/factory installation list price
T8	440 VAC	KE6S1	<b>\$ 374</b>
	380...400 VAC	KE6S2	
	240...250 VAC/DC	KE6S3	
	220...240 VAC/DC	KE6S4	
	120...127 VAC/DC	KE6S5	
	110...120 VAC/DC	KE6S6	
	60 VAC/DC	KE6S7	
	48 VAC/DC	KE6S8	
	30 VAC/DC	KE6S9	
	24 VDC	KE6S0	

### Second shunt trip ①

		Field/factory installation catalog number	Field/factory installation list price
T8	440 VAC	KE6S1-2	<b>\$ 456</b>
	380...400 VAC	KE6S2-2	
	240...250 VAC/DC	KE6S3-2	
	220...240 VAC/DC	KE6S4-2	
	120...127 VAC/DC	KE6S5-2	
	110...120 VAC/DC	KE6S6-2	
	60 VAC/DC	KE6S7-2	
	48 VAC/DC	KE6S8-2	
	30 VAC/DC	KE6S9-2	
	24 VDC	KE6S0-2	



KE6U\*

### Undervoltage

		Field/factory installation catalog number	Field/factory installation list price
T8	440 VAC	KE6U1	<b>\$ 456</b>
	380...400 VAC	KE6U2	
	240...250 VAC	KE6U3	
	220...240 VAC/DC	KE6U4	
	120...127 VAC/DC	KE6U5	
	110...120 VACV/DC	KE6U6	
	60 VAC/DC	KE6U7	
	48 VAC/DC	KE6U8	
	30 VAC/DC	KE6U9	
	24 VDC	KE6U0	

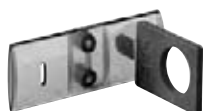
① May be used in place undervoltage.

# Accessories

## Mechanical

### T8

Tmax  
MCCBs



KE6PG

<b>Key lock in open position</b>			Field/factory installation catalog number	Field/factory installation list price
T8	Key lock n. 20005 ① Key lock n. 20006 Key lock n. 20007 Key lock n. 20008 Key lock different keys		KT8KL2 KT8KL3 KT8KL4 KT8KL5 KT8KL1	<b>\$ 202</b>
<b>Padlocking button cover</b>			Field/factory installation catalog number	Field/factory installation list price
T8	3-4mm locks (padlocks not supplied)		KE6PD1	<b>\$ 162</b>
<b>Button guard</b>			Field/factory installation catalog number	Field/factory installation list price
T8	Protective cover for opening and closing pushbuttons		KE6PG	<b>\$ 48</b>
<b>Mechanical operation counter</b>			Field/factory installation catalog number	Field/factory installation list price
T8	Indicates the number of mechanical operations		KE6MC	<b>\$ 418</b>
<b>Phase barriers-top terminals only</b>			Field installation catalog number	Field installation list price
T8	Low 100mm 2 pcs (3P) Low 100mm 3 pcs (4P) High 200mm 2 pcs (3P) High 200mm 4 pcs (4P)		KT8PBL-3 KT8PBL-4 KT8PBH-3 KT8PBH-4	<b>\$ 50</b> <b>68</b> <b>67</b> <b>90</b>
<b>IP54 door protection</b>			Field installation catalog number	Field installation list price
T8	Protective cover		KE6DC	<b>\$ 557</b>
<b>Vertical terminals</b>			Field installation catalog number	Field installation list price
T8	Rear Vertical Terminals (2)	Set of six Set of eight	KT82500VR-6 KT82500VR-8	<b>\$ 2225</b> <b>3035</b>
<b>Cable terminals</b>			Field installation catalog number	Field installation list price
T8	Mechanical Lugs (set of 3)	Wire size 1/0-750 kcmil (4) 1/0-750 kcmil (6)	K8TL K8TM	<b>\$ 274</b> <b>315</b>

① Key lock number when factory installed is 20005.

# Technical data

## T8

### Absorbed power on inrush

Shunt trip, Second shunt trip, closing coil Voltage	AC	DC
24 VDC	—	200
30 VAC/DC	200	200
48 VAC/DC	200	200
60 VAC/DC	200	200
110...120 VAC/DC	200	200
120...127 VAC/DC	200	200
220...240 VAC/DC	200	200
380...400 VAC	200	—
440 VAC	200	—
Opening time shunt trip - Second shunt trip (ms)	≤ 60	≤ 60
Closing time closing coil (ms)	≤ 80	≤ 80

### Spring charging motor

Shunt trip, Second shunt trip, closing coil Rated Voltage	AC	DC
	24...30	24...30
	48...60	48...60
	100...130	100...130
	220...250	220...250
Operating voltage (%Un)	85-110	85...110
Power consumption on inrush	500 VA	500 W
Inrush time (s)	0.2	0.2
Charging time (s)	4-5	4-5



# Accessories

## Electrical

### T1 - T7

Tmax  
MCCBs



#### Shunt trips -(Standard) ①

For remote opening of circuit breaker. Guaranteed operation for a voltage of between 75-110% of the rated power supply voltage. T1-T6 mounts in the left hand cavity cannot be used with UVR on 2-3P breakers

Frame Size	Voltage	Factory Installation ①		Field Installation					
		Catalog number suffix	List price adder	Catalog number	List Price				
T1-T3	480 - 500VAC 220-250VAC/DC 380 - 440VAC 110 - 125VAC/DC 48 - 60VAC/DC 24 - 30VAC/DC 12VDC	S1	\$ 535	KT3S1	\$ 490				
		S2		KT3S2					
		S3		KT3S3					
		S4		KT3S4					
		S7		KT3S7					
		S8		KT3S8					
		S9		KT3S9					
		Ts3		480VAC/250VDC 240 VAC 120VAC/125VDC 48VDC 24VAC/VDC 12VDC		S1	535	KTS3S1	490
						S2		KTS3S2	
S4	KTS3S4								
S7	KTS3S7								
S8	KTS3S8								
S9	KTS3S9								
T4, T5, T6 ③	480-500VAC 220/250VAC/DC 380-440VAC 110-125VAC/DC 48-60VAC/DC 24VAC/DC 12VDC	S1	535	KT5S1	490				
		S2		KT5S2					
		S3		KT5S3					
		S4		KT5S4					
		S7		KT5S7					
		S8		KT5S8					
		S9		KT5S9					
		T7		415-440VAC 380-400VAC 240-250VAC/DC 220-240VAC/DC 120-127VAC/DC 110-120VAC/DC 60VAC/DC 48VAC/DC 30VAC/DC 24VAC/DC		S1	535	KT7XS1	490
						S2		KT7XS2	
S3	KT7XS3								
S4	KT7XS4								
S5	KT7XS5								
S6	KT7XS6								
S7	KT7XS7								
S8	KT7XS8								
S9	KT7XS9								
S0	KT7XS0								

#### Shunt trip connector (REQUIRED for Ts3) ②

			Field Kit	
Ts3	Fixed Mount ②	Included when shunt trip factory installed	KTS3C-SU	\$ 45
Ts3	Draw-out ②	Included when shunt trip factory installed	KTS3C-SUP	

#### Shunt trips (Permanent Supply) ①

For remote opening of circuit breaker. Guaranteed operation for a voltage of between 75-110% of the rated power supply voltage. These shunt trips have much lower power consumption.

Frame Size	Voltage	Factory Installation ①		Field Installation	
		Catalog number suffix	List price adder	Catalog number	List Price
Ts3	24VDC 120VAC	SA	\$ 535	KTS3SA	\$ 490
		SB		KTS3SB	
T4, T5, T6 ③	24-30VDC 110/120/VAC	SA	535	KT5SA	490
		SB		KT5SB	

#### Shunt trip connector (REQUIRED for Ts3) ②

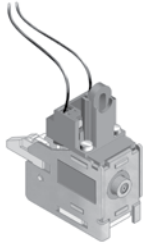
			Field Kit	
Ts3	Fixed Mount ②	Included when shunt trip factory installed	KTS3C-SU	\$ 45
	Draw-out ②	Included when shunt trip factory installed	KTS3C-SUP	

① For factory installation add suffix given to end of circuit breaker catalog number per accessory format.  
 ② Must be ordered separately for field installation.  
 ③ SAT5 Discount schedule.

## Accessories

### Electrical

### T1 - T7



KT3U2



T7 X1 Shunt trip - UVR

#### Undervoltage release - UVR

Will trip circuit breaker when connected voltage drops to 35-70% of the undervoltage release voltage rating. Will allow circuit breaker to close when voltage is approximately 85% of the rated voltage. T1-T6 mounts in the left hand cavity cannot be used with shunt trip on 2-3P breakers

Frame Size	Voltage	Factory Installation ①		Field Installation	
		Catalog number suffix	List price adder	Catalog number	List Price
T1-T3	480 - 500VAC	U1	\$ 535	KT3U1	\$ 490
	220-250VAC/DC	U2		KT3U2	
	380 - 440VAC	U3		KT3U3	
	110 - 125VAC/DC	U4		KT3U4	
	60VAC/DC	U5		KT3U5	
	48VAC/DC	U7		KT3U7	
	24 - 30VAC/DC	U8		KT3U8	
	Ts3	480VAC		U1	
240VAC		U2	KTS3U2		
24VAC		U3	KTS3U3		
120VAC		U4	KTS3U4		
250VDC		U5	KTS3U5		
125VDC		U6	KTS3U6		
48VDC		U7	KTS3U7		
24VDC		U8	KTS3U8		
T4, T5, T6 ③	480-500VAC	U1	535	KT5U1	490
	220/250VAC/DC	U2		KT5U2	
	380-440VAC	U3		KT5U3	
	110-125VAC/DC	U4		KT5U4	
	60VAC/DC	U5		KT5U5	
	48VAC/DC	U7		KT5U7	
	24VAC/DC	U8		KT5U8	
	T7	415-440VAC		U1	
380-400VAC		U2	KT7XU2		
240-250VAC/DC		U3	KT7XU3		
220-240VAC/DC		U4	KT7XU4		
120-127VAC/DC		U5	KT7XU5		
110-120VAC/DC		U6	KT7XU6		
60VAC/DC		U7	KT7XU7		
48VAC/DC		U8	KT7XU8		
30VAC/DC		U9	KT7XU9		
24VAC/DC		U0	KT7XU0		

#### Undervoltage trip connector (REQUIRED for Ts3) ②

Ts3			Field Kit	
	Fixed Mount ②	Included when under voltage factory installed	KTS3C-SU	\$ 45
	Plug-In/Draw-out ②	Included when under voltage factory installed	KTS3C-SUP	

① For factory installation add suffix given to end of circuit breaker catalog number per accessory format.  
 ② Must be ordered separately for field installation.  
 ③ SAT5 Discount schedule.

# Accessories

## Electrical

### T1 - T7

Tmax  
MCCBs

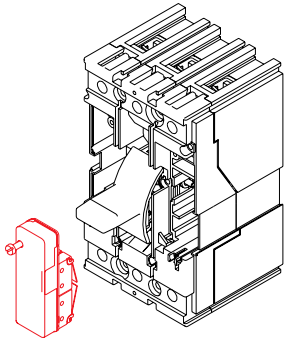
#### Auxiliary contacts - AUX ①

Auxiliary contacts are for indication of the circuit breaker open-closed. Bell alarm contacts (BA) can be used to indicate circuit breaker tripped.

Frame Size		Factory Installation ①		Field Installation	
		Catalog number suffix	List price adder	Catalog number	List Price
T1-T3 ②	1 Form C + 1BA	A	<b>\$ 433</b>	KT3AS	<b>\$ 380</b>
	3 Form C + 1BA	A3	<b>770</b>	KT3AS3	<b>725</b>
	3 Form C + 1BA 24VDC	A3AU	<b>770</b>	KT3AS3-AU	<b>725</b>
T2	T2 PR221DS 1 Form C + 1BA	A	<b>433</b>	KT2AS-E	<b>380</b>
Ts3	2 Form C	A	<b>430</b>	KTS3AS	<b>275</b>
	1 Form C+ 1 BA	BA		KTS3BA	<b>380</b>
T4, T5, T6 ④	1 Form C + 1BA 250VAC/VDC	A	<b>433</b>	KT5AS	<b>388</b>
	3 Form C + 1BA 250VAC/VDC	A3	<b>770</b>	KT5AS3	<b>725</b>
	3 Form C + 1BA 24VDC	A3AU	<b>770</b>	KT5AS3-AU	<b>725</b>
T7	1 Form C + 1BA 400VAC/250VDC	A	<b>446</b>	KT7AS	<b>396</b>
	2 Form C 400VAC/250VDC	A2			
	1 Form C + 1BA 24VDC	AAU			
	2 Form C 24VDC	A2AU			

#### Auxiliary contact connector (REQUIRED for Ts3) ③

Ts3	Fixed Mount ③ Plug-In /Drawout ③	Included Included	Field Kit	
			KTS3C-AB KTS3C-ABP	\$ 45



T1 with K3TAS



KTS3AS

① For factory installation add suffix to end of breaker part number per accessory format .  
 ② Not compatible for T2 with PR221DS trip unit.  
 ③ Must be ordered separately for field installation.  
 ④ SAT5 Discount schedule.

## Accessories

### Motor operators

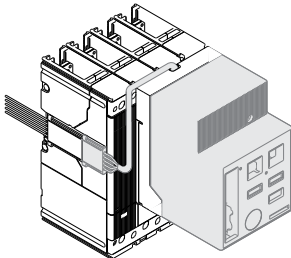
#### T1 - T7



KT3M1



KT5M2



KT5M2



KTS3M2

#### Electrical operators

Allows remote opening and closing of circuit breaker

Frame size	Voltage	Catalog number	List price
------------	---------	----------------	------------

#### Solenoid operator

T1-T3	48 - 60VDC 110 - 250VAC/DC	KT3M1 KT3M2	\$ 850
-------	-------------------------------	----------------	--------

#### Direct action motor operator

Ts3	240VAC/250VDC 120VAC/125VDC 48VDC 24VDC	KTS3M2 KTS3M4 KTS3M7 KTS3M8	1,799
-----	--	--------------------------------------	-------

#### Motor operator connector (REQUIRED for Ts3) ①

Ts3	Fixed Mount ① Plug-In / Draw-out ①	KTS3C-M KTS3C-MP	45
-----	---------------------------------------	---------------------	----

#### Stored energy motor operator

T4, T5	220-250VAC/DC 110--125-VAC/DC 48-60VDC 24VDC	KT5M2 KT5M4 KT5M7 KT5M8	2,385
--------	---	----------------------------------	-------

#### Contact for remote/manual operation (stored energy operator)

T4, T5, T6 ②	-	KT5MA	220
--------------	---	-------	-----

#### Stored energy motor operator

T6	220-250VAC/DC 110--125-VAC/DC 48-60VDC 24VDC 380VAC	KT6M2 KT6M4 KT6M7 KT6M8 KT6M3	4,990
----	---	---	-------

① Must be ordered separately for field installation

② SAT5 Discount schedule.

# Accessories

## Trip units

### T4 - T7

Tmax  
MCCBs

Frame Size	Rating plug	Catalog number	List Price
<b>Rating plugs (UL)</b>			
T7	400A Rating plug 600A Rating plug 800 Rating plug 1000A Rating plug 1200 Rating plug	KT7X0400RP KT7X0600RP KT7X0800RP KT7X1000RP KT7X1200RP	<b>\$ 125</b>
<b>Modules for T7 PR332 trip units</b>			
T7	Voltage module ② Communication module (Modbus RTU)	PR330/VT7 PR330/D-M	<b>3033</b> <b>4500</b>
<b>External units</b>			
	Test and configuration unit ③	PR010/T	<b>12,500</b>
	Trip coil test-all Tmax electronic trip unit except PR33*	K7TUT	<b>210</b>
	External Bluetooth communication module ① Includes diagnostic software for Modbus / Bluetooth networks	BT030	<b>3,335</b>
	Battery power supply unit ①	PR030/B	<b>275</b>
Not suitable for UL applications.			
T7 - Allows remote opening when used with PR330/D-M and shunt trip			
T7M - Allows remote opening and closing when used with PR330//D-M. shunt trip and closing coil			
<b>Actuator module (IEC)</b>			
T7	Actuator module ②	PR330/R-T7	<b>700</b>
<b>Neutral current transformers (required for 4 wire ground fault systems)</b>			
T4	100A 150A 250A	KT4NCT-100 KT4NCT-150 KT4NCT-250	<b>300</b>
T5	300A 400A	KT5NCT-300 KT5NCT-400	<b>300</b>
T6	600A 800A	KT6NCT-600 KT6NCT-800	<b>770</b>

① Always supplied with PR332/P trip unit.  
② Factory installed only.

## Technical data

### Shunt trips, Undervoltages

#### T1 - T7

#### Standard shunt trip

Voltage	Inrush Power Consumption							
	T1, T2, T3		Ts3		T4, T5, T6		T7	
	AC (VA)	DC (W)	AC (VA)	DC (W)	AC (VA)	DC (W)	AC (VA)	DC (W)
12 VDC	-	50	-	120	-	150	-	-
24 VAC/DC	-	-	100	100 or 4 ①	-	-	300	300
24...30 VAC/DC	50	50	-	-	150	150	-	-
30 VAC/DC	-	-	-	-	-	-	300	300
48 VAC/DC	-	-	-	120	-	-	300	300
48...60 VAC/DC	60	60	-	-	150	150	-	-
60 VAC/DC	-	-	-	-	-	-	300	300
100...120 VAC/DC	-	-	100 or 4 ①	-	-	-	300	300
120...127 VAC/DC	-	-	-	-	-	-	300	300
110...127 VAC 110...125 VDC	50	50	-	120	150	150	-	-
220...240 VAC/DC	-	-	-	-	-	-	300	300
220...240 VAC 220...250 VDC	50	50	100	120	150	150	-	-
240...250 VAC/DC	-	-	-	-	-	-	300	300
380...400 VAC	-	-	-	-	-	-	300	-
380...440 VAC	55	-	-	-	150	-	-	-
415...440 VAC	-	-	-	-	-	-	300	-
480 VAC	-	-	100	-	-	-	-	-
480...525 VAC	55	-	-	-	150	-	-	-
Opening Time (ms)	15	15	15	15	15	15	20	20

#### Permanent supply shunt trip

Voltage	T4, T5, T6	
	AC (VA)	DC (W)
24 VAC/DC	4	4
100...120 VAC	4	-

#### Undervoltage

Voltage	Power consumption during permanent operation							
	T1, T2, T3		Ts3		T4, T5, T6		T7	
	AC (VA)	DC (W)	AC (VA)	DC (W)	AC (VA)	DC (W)	AC (VA)	DC (W)
24 VAC/DC	-	-	6	3	-	-	3.5	3.5
24...30 VAC/DC	1.5	1.5	-	-	6	3	-	-
30 VAC/DC	-	-	-	-	-	-	3.5	3.5
48 VAC/DC	1	1	6	3	6	3	-	-
60 VAV/DC	1	1	-	-	6	3	-	-
110...120 VAC/DC	-	-	6	-	-	-	3.5	3.5
120...127 VAC/DC	-	-	-	-	-	-	3.5	3.5
110...127 VAC 110...125 VDC	2	2	-	-	6	3	-	-
220...240 VAC/DC	-	-	-	-	-	-	3.5	3.5
220...240 VAC 220...250 VDC	2.5	2.5	-	3	6	3	-	-
220...250 VAC	-	-	6	-	-	-	-	-
240...250 VAC/DC	-	-	-	-	-	-	3.5	3.5
380...400 VAC	-	-	-	-	-	-	3.5	-
380...440 VAC	3	-	-	-	6	-	-	-
415 - 440 VAC	-	-	-	-	-	-	3.5	-
480...525 VAC	4	-	-	-	6	-	-	-
480 VAC	-	-	6	-	-	-	-	-
Opening Time (ms)	15	15	≤18	≤18	≤25	≤25	≤25	≤25

① Shunt trip permanent supply

# Technical data

## Electrical operators

### T1 - T6

Tmax  
MCCBs

#### Electrical operator, T1-T3

Rated Voltage		AC	DC
		-	48...60
		110...250	110...250
Operating Voltage		85...110% Un	
Inrush power absorption during operation		1800 (VA)	1000 (W)
Power on stand by		< 100 (mW)	
Time	opening (s)	< 0.1	
	closing (s)	< 0.1	
Minimum control impulse time on opening and closing (ms)		>100	

This unit is permanently supplied on stand by, a control is applied by means of external contact in a low power circuit.

Contact characteristics:

Voltage AC/DC=24V  
Current 50 mA

#### Electrical operator, Ts3

Rated Voltage		AC	DC
		-	24
		-	48...60
		120	125
		240	250
		440	-
Operating Voltage		85...110 % Un	
Inrush power absorption		500 (VA)	500 (W)
Service power absorption		350 (VA)	350 (W)
Time constant (ms)		18	
Duration	opening (s)	0.1	
	closing (s)	0.1	
Minimum duration of the opening and closing command impulse (ms)		≥150	

#### Electrical operator, T4-T5

Voltage		AC	DC
		-	24
		-	48...60
		110...125	110...125
		220-250	220-250
		380	-
Operating Voltage		85...110%	
Inrush power consumption		≤ 300VA	≤ 300W
In service power consumption		≤150VA	≤150W
Duration	opening (s)	1.5	
	closing (s)	< 0.1	
	resetting (s)	3	
Minimum duration of the opening and closing command impulse (ms)		≥100	

#### Electrical operator, T6

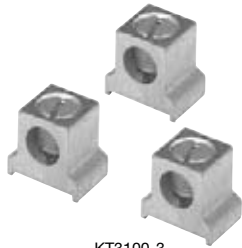
Voltage		AC	DC
		-	24
		-	48...60
		110-125	110-125
		220-250	220-250
		380	-
Operating Voltage		85...110%	
Inrush power consumption		≤ 400VA	≤ 400W
In service power consumption		≤150VA	≤150W
Duration	opening (s)	3	
	closing (s)	< 0.1	
	resetting (s)	5	
Minimum duration of the opening and closing command impulse (ms)		≥100	

16

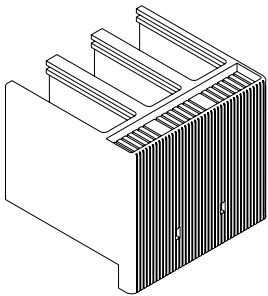
## Accessories

### Mechanical

### T1 - T7



KT3100-3



KT1HTC-3



KT4LTC-3

#### Standard cable terminal

Frame	Wire Size	Catalog number (set of 3)	List Price	Catalog number (set of 4)	List Price
T1	14 AWG-1/0	Integral	—	Integral	—
T2	14 AWG-1/0	KT2100-3	\$ 9	KT2100-4	\$ 12
T3	14 AWG - 1/0	KT3100-3	9	KT3100-4	12
	4 AWG - 300 kcmil	KT3225-3	18	KT3225-4	24
Ts3	14-2	K3TA ③	6	K3TA-4 ③	8
	14-1/0	K4TB ③	6	K4TB-4 ③	8
	2-4/0	K4TC ③	6	K4TC-4 ③	8
	4-300 kcmil	K4TD ③	15	K4TD-4 ③	20
T4	14 AWG-1/0	KT4100-3	9	KT4100-4	12
	6 AWG-350 kcmil	KT4250-3	30	KT4250-4	40
T5 ④	250 kcmil-500 kcmil	KT5300-3	45	KT5300-4	60
T5 ①④	(2) 3/0-250 kcmil	KT5400-3	45	KT5400-4	60
T5 ②	(2) 3/0-500 kcmil	KT5600-3	225	—	—
T6	(2) 250-500 kcmil ③	K6TH ③	75	K6TH-4 ③	100
T6 ①	(3) 2/0-400 kcmil ③	K6TJ ③	135	K6TJ-4 ③	180
T7 ①	(4) 4/0-500 kcmil	KT7X1200-3	560	KT7X1200-4	747

#### Standard cable lug kits with power control taps

Frame	Wire Size	Catalog number (set of 3)	List Price	Catalog number (set of 4)	List Price
T3	14 AWG - 1/0	KT3100-3C	\$ 16	KT3100-4C	\$ 19
	4 AWG - 300 kcmil	KT3225-3C	18	KT3225-4C	31
Ts3	14 AWG-1/0	K4TBC	12	K4TBC-4	20
	2 AWG-4/0	K4TCC	12	K4TCC-4	20
	4 AWG-300 kcmil	K4TDC	21	K4TDC-4	31
T4	14 AWG-1/0	KT4100-3C	15	KT4100-4C	20
	6 AWG-350 kcmil	KT4250-3C	36	KT4250-4C	48
T5 ④	250 kcmil-500 kcmil	KT5300-3C	51	KT5300-4C	68
T5 ①④	(2) 3/0-250 kcmil	KT5400-3C	51	KT5400-4C	68
T6	(2) 250-500 kcmil	K6THC ③	81	K6THC-4 ③	109
T6 ①	(3) 2/0-400 kcmil	K6TJC ③	141	K6TJC-4 ③	190

#### Terminal covers for fixed breakers - Low profile-kit includes two pieces

Frame	Catalog number (3 pole)	List Price	Catalog number (4 pole)	List Price
T1	KT1LTC-3	\$ 35	KT1LTC-4	\$ 47
T2	KT2LTC-3	40	KT2LTC-4	54
T3	KT3LTC-3	50	KT3LTC-4	68
Ts3	KTS3LTC-3	55	KTS3LTC-4	74
T4	KT4LTC-3	55	KT4LTC-4	74
T5	KT5LTC-3	60	KT5LTC-4	81
T6	KT6LTC-3	75	KT6LTC-4	101
T7	KT7XLTC-3	80	KT7XLTC-4	108

#### Terminal covers for fixed breakers - High profile-kit includes two pieces

Frame	Catalog number (3 pole)	List Price	Catalog number (4 pole)	List price
T1	KT1HTC-3	\$ 37	KT1HTC-4	\$ 50
T2	KT2HTC-3	43	KT2HTC-4	58
T3	KT3HTC-3	53	KT3HTC-4	72
Ts3	KTS3HTC-3	58	KTS3HTC-4	78
T4	KT4HTC-3	58	KT4HTC-4	78
T5	KT5HTC-3	63	KT5HTC-4	85
T6	KT6HTC-3	85	KT6HTC-4	108
T7	KT7XHTC-3	90	KT7XHTC-4	115

- ① Comes standard with high profile terminal covers.  
 ② Uses front extended spreaded terminals... refer to technical catalog.  
 ③ Discount schedule SA.  
 ④ Not suitable for use on T5 600A.

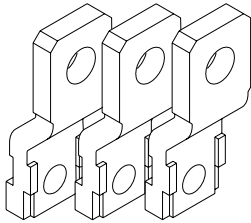


# Accessories

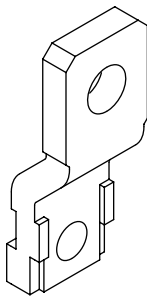
## Mechanical

### T1 - T7

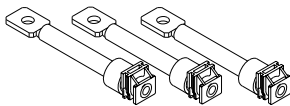
Tmax  
MCCBs



KT2EF-3



KT4EF\_



KT2R-3

#### Phase barriers - Low profile 100mm-3.93 in

Frame	4 pcs (3p)	List Price	6 pcs (4p)	List Price
T1-T3	KT3PBL-3	<b>\$ 28</b>	KT3PBL-4	<b>\$ 42</b>
T4-T5	KT5PBL-3	<b>28</b>	KT5PBL-4	<b>42</b>
T6	KT6PBL-3	<b>42</b>	KT6PBL-4	<b>57</b>
T7	KT7PBL-3	<b>50</b>	KT7PBL-4	<b>68</b>

#### Phase barriers - High profile 200mm-7.87 in

Frame	4 pcs (3p)	List Price	6 pcs (4p)	List Price
T1-T3	KT3PBH-3	<b>\$ 42</b>	KT3PBH-4	<b>\$ 63</b>
T4-T5	KT5PBH-3	<b>42</b>	KT5PBH-4	<b>63</b>
T7	KT7PBH-3	<b>67</b>	KT7PBH-4	<b>90</b>

#### Saddle terminals for Copper Cables - IEC

Frame	Catalog number (Set of 3)	List Price	Catalog number (Set of 4)	List Price
T2	KT2100S-3	<b>\$ 34</b>	KT2100S-4	<b>\$ 46</b>
T3	KT3225S-3	<b>52</b>	KT3225S-4	<b>70</b>
Ts3	K4TES ③	<b>30</b>	K4TES-4 ④	<b>40</b>
T4	KT4250S-3	<b>41</b>	KT4250S-4	<b>55</b>
T5	KT5300S-3	<b>270</b>	KT5300S-4	<b>365</b>

#### Extended front terminals

Frame	Catalog number (set of 3)	List Price	Catalog number (set of 4)	List Price
T2	KT2EF-3	<b>\$ 26</b>	KT2EF-4	<b>\$ 35</b>
T3	KT3EF-3	<b>33</b>	KT3EF-4	<b>44</b>
Ts3	KTS3EF-3	<b>65</b>	KTS3EF-4	<b>88</b>
T4	KT4EF-3	<b>55</b>	KT4EF-4	<b>73</b>
T5	KT5EF-3	<b>115</b>	KT5EF-4	<b>155</b>

#### Rear terminals ①

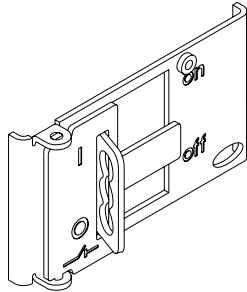
Frame	Catalog number (set of 3)	List Price	Catalog number (set of 4)	List Price
T2	KT2R-3	<b>\$ 78</b>	KT2R-4	<b>\$ 105</b>
T3	KT3R-3	<b>98</b>	KT3R-4	<b>131</b>
T4	KT4R-3	<b>60</b>	KT4R-4	<b>80</b>
T5	KT5R-3	<b>122</b>	KT5R-4	<b>163</b>
T6	KT6R-3	<b>350</b>	KT6R-4	<b>473</b>
T7	KT7R-3	<b>407</b>	KT7R-4	<b>550</b>

#### Distribution cable lug kit ②

Frame	Wire Size	Catalog number (set of 3)	List Price	Catalog number (set of 4)	List Price
T3	(6) #14-6	KT3TN	<b>\$ 125</b>	KT3TN-4	<b>\$ 167</b>
Ts3	(6) #14-6	KTS3TN	<b>125</b>	KTS3TN-4	<b>169</b>
T4	(6) #14-6	KT4TN	<b>125</b>	KT4TN-4	<b>167</b>
T5	(6) #14-1/0	KT5TGD	<b>240</b>	KT5TGD-4	<b>320</b>

① Includes low profile terminal cover.  
 ② Includes high profile terminal cover.  
 ③ Set of six, Discount schedule SA.  
 ④ Set of eight, Discount schedule SA.

## Accessories Mechanical T1 - T7



KT3LD



KT5RH



OHB65J6



OHB125J10

### Padlock locking device

Frame	Style	Locking Position	Breaker Mounting	Catalog number	List Price
T1,T2,T3	PLL	OPEN/CLOSED OPEN	Fixed	KT3LD KT3LDO	<b>\$ 35</b>
Ts3	FLD	OPEN	Fixed, Plug-In Draw-out	KTS3FLD KTS3FLDW	<b>87</b> <b>125</b>
T4-T5	FLD	OPEN	Fixed, Plug-In Draw-out	KT5FLD KT5FLDW	<b>40</b> <b>55</b>
T6	FLD	OPEN	Fixed, Plug-In Draw-out	KT6FLD KT6FLDW	<b>220</b> <b>240</b>
T7	PLL	OPEN	Fixed, Drawout	KT7LDO	<b>260</b>

### Keylocks-rotary handle mechanism

Frame	Style	Locking Position	Keys	Catalog number	List Price
T1,T2,T3	RHL	OPEN/CLOSED	Different	KT3RHL3	<b>\$ 94</b>
Ts3	-	OPEN	Different	KTS3KLFD	<b>58</b>
T4-T5	KLF-D	OPEN	Different	KT5KLFD	<b>58</b>
T6	KLF-D	OPEN	Different	KT6KLFD	<b>68</b>
T7	KLF-D	OPEN	Different	KT7KLFD	<b>79</b>

### Direct mount rotary operator handle

Frame	Breaker Mounting	Catalog number	List Price
T1, T2, T3	Fixed, Plug-In	KT3RH	<b>\$ 146</b>
Ts3	Fixed, Plug-In	KTS3RH	<b>150</b>
Ts3	Draw-out	KTS3RHW	<b>150</b>
T4-T5	Fixed, Plug-In	KT5RH	<b>135</b>
T4-T5	Draw-out	KT5RHW	<b>135</b>
T6	Fixed, Draw-out	KT6RH	<b>450</b>
T6	Draw-out	KT6RHW	<b>450</b>
T7	Fixed, Draw-out	KT7RH	<b>450</b>

### Variable depth handle operators

Frame	NEMA rating	Mechanism catalog number	List Price	Shaft catalog number	List Price	Handle catalog number	List Price
T1-T3	1,3R,12	-	-	-	-	OHB65J6 ① OHY65J6 ①	<b>\$ 80</b>
	4, 4X	KT3VD-M	<b>\$ 72</b>	OXp6X430 (16.9") ②	<b>\$ 28</b>	OHB80L6 ① OHY80L6 ①	<b>130</b>
	1	-	-	KT3VD-S (11.8")	<b>35</b>	KT3VD-H	<b>87</b>
Ts3	1,3R,12	-	-	OXp10X148 (5.8") ②	<b>24</b>	OHB95J10 ① OHY95J10 ①	<b>80</b>
	4,4X	KTS3VD-M	<b>72</b>	OXp10X225 (8.9") ①	<b>26</b>	OHB95L10 ① OHY95L10 ①	<b>120</b>
	-	-	-	OXp10X500 (19.7") ①	<b>32</b>	-	-
	1	-	-	KT3VD-S (20")	<b>35</b>	KTS3VD-H	<b>87</b>
T4-T5	1,3R,12	-	-	OXp10X148 (5.8") ①	<b>24</b>	OHB95J10 ① OHY95J10	<b>80</b>
	4,4X	KT5VD-M	<b>65</b>	OXp10X225 (8.9") ①	<b>26</b>	OHB95L10 ① OHY95L10 ①	<b>120</b>
	-	-	-	OXp10X500 (19.7") ①	<b>32</b>	-	-
	1	-	-	KT5VD-S (19.7")	<b>36</b>	KT5VD-H	<b>87</b>
T6	1,3R,12	-	-	OXp10X148 (5.8") ①	<b>24</b>	OHB125J10 ① OHY125J10 ①	<b>90</b>
	4,4X	KT6VD-M	<b>370</b>	OXp10X225 (8.9") ①	<b>26</b>	OHB125L10 ①	<b>130</b>
	-	-	-	OXp10X500 (19.7") ①	<b>32</b>	-	-
	1	-	-	KT5VD-S (19.7)	<b>36</b>	KT6VD-H	<b>210</b>
T7	1,3R,12	-	-	OXp10X148 (5.8") ①	<b>24</b>	OHB175J10 ① OHY175J10 ①	<b>100</b>
	-	KT7VD-M	<b>370</b>	OXp10X225 (8.9") ①	<b>26</b>	OHB175L10 ①	<b>140</b>
	-	-	-	OXp10X500 (19.7") ①	<b>32</b>	-	-
	1	-	-	KT7VD-S (19.7")	<b>130</b>	KT7VD-H	<b>231</b>

① Discount schedule SH.

② Discount schedule H6.

# Accessories Mechanical T1 - T7

Tmax  
MCCBs

## Plug-in kits ①

Frame	Catalog number Adapter moving part	List Price	Catalog number fixed part	List Price
T2 - 3 pole with front terminals	KT2PMK	<b>\$ 171</b>	KT2PFF	<b>\$ 238</b>
T3 - 3 pole with front terminals	KT3PMK	<b>190</b>	KT3PFF	<b>264</b>
T2-T3 Fixed parts accept the same cable and rear terminal kits as the circuit breakers				
Ts3 3 pole with front terminals	KTS3PMK	<b>250</b>	KTS3PFF	<b>305</b>
Ts3 3 pole with rear terminals			KTS3PFR	
T4 3 pole with extended front terminal	KT4PMK	<b>250</b>	KT4PFEF	<b>710</b>
T4 3 pole with rear horizontal terminals			KT4PFHR	<b>766</b>
T4 3 pole with rear vertical terminals			KT4PFVR	<b>766</b>

## T5, 400A

T5 400A 3 pole with extended front terminal	KT5PMK	<b>350</b>	KT5PFEF	<b>810</b>
T5 400A 3 pole with rear horizontal terminal			KT5PFHR	<b>866</b>
T5 400A 3 pole with rear vertical terminal			KT5PFVR	<b>866</b>

## T5, 600A

T5 600A 3 pole with extended front terminal	KT56PMK	<b>501</b>	KT56PFEF	<b>1,158</b>
T5 600A 3 pole with rear horizontal terminal			KT56PFHR	<b>1,238</b>
T5 600A 3 pole with rear vertical terminal			KT56PFVR	<b>1,238</b>



KT2PFF + KT2PMK (on back of breaker) + breaker

## Plug connectors, T1-T3

Required when adding accessories to plug-in breakers

Plug Connector	Catalog number	List price
Shunt trip or UVR	KT3PC-3	<b>\$ 18</b>
1 form C plus 1 BA	KT3PC-6	<b>21</b>
3 form C plus 1 BA	KT3PC-12	<b>24</b>

## Adaptors, T4-T6 ②

Required when adding accessories to plug-in or drawout breakers

Adaptors	Catalog number	List price
1 form C plus 1 BA	KT5ADP-6	<b>\$ 24</b>
Shunt trip/UVR	KT5ADP-6	<b>24</b>
Stored energy operator	KT5ADP-10	<b>30</b>
Stored energy operator plus shunt trip/UVR	KT5ADP-10	<b>30</b>
3 form C plus 1BA	KT5ADP-12	<b>35</b>



KT4PMK (on back of breaker)

① Plug connectors (T2-T3), Adaptors (T4-T5), required when adding accessories to plug-in breakers.  
② SAT5 Discount schedule.

## Accessories

### T1 - T7



KT4WMK (on back of breaker)

KT5WFVR

#### Draw-out kits ①

Item	Catalog number Adaptor moving part	List Price	Catalog Number Fixed part	List Price
Ts3 3 pole with front terminals Ts3 3 pole with rear terminals	KTS3WMK	<b>\$ 290</b>	KTS3WFF ③ KTS3WFR ③	<b>\$ 790</b>
T4 3 pole with extended front terminal T4 3 pole with rear horizontal terminals T4 3 pole with rear vertical terminals	KT4WMK	<b>290</b>	KT4WFEF KT4WFHR KT4WFVR	<b>816</b> <b>1,021</b> <b>1,021</b>
T5 3 pole with extended front terminal T5 3 pole with rear horizontal terminal T5 3 pole with rear vertical terminal	KT5WMK	<b>407</b>	KT5WFEF KT5WFHR KT5WFVR	<b>931</b> <b>1,154</b> <b>1,154</b>
T5 3 pole with extended front terminal T5 3 pole with rear horizontal terminal T5 3 pole with rear vertical terminal	KT56WMK	<b>582</b>	KT56WFEF KT56WFHR KT56WFVR	<b>1,331</b> <b>1,650</b> <b>1,650</b>
T6 3 pole with extended front terminal T6 3 pole with rear horizontal terminal T6 3 pole with rear vertical terminal	KT6WMK	<b>670</b>	KT6WFEF ③ KT6WFHR ③ KT6WFVR	<b>1,844</b> <b>1,844</b> <b>2,144</b>
T7 3 pole with horizontal/vertical terminals	KT7XWMK	<b>755</b>	KT7WFHR ②	<b>2,567</b>

#### Adaptors – T4-T6 ④

Required when adding accessories to plug-in or drawout breakers

Adaptors	Catalog number	List price
1 form C plus 1 BA	KT5ADP-6	<b>\$ 24</b>
Shunt trip/UVR	KT5ADP-6	<b>24</b>
Stored energy operator	KT5ADP-10	<b>30</b>
Stored energy operator plus shunt trip/UVR	KT5ADP-10	<b>30</b>
3 form C plus 1BA	KT5ADP-12	<b>35</b>

#### Sliding contact blocks – T7-Draw-out

Item	Moving Part Breaker	List Price	Fixed Part Cradle	List Price
<b>Left Block</b> Spring charging motor Spring charged contact Ready to close contact Early auxiliary contact Contact for trip coil release trip Trip rest	KT7XSCMP-L	<b>\$ 160</b>	KT7SCFP-L	<b>\$ 185</b>
<b>Center Block</b> PR331 PR332	KT7XSCMP-C	<b>160</b>	KT7XSCFP-C	<b>310</b>
<b>Right Block</b> Auxiliary contacts Shunt trip Closing Coil Undervoltage release	KT7XSCMP-R	<b>160</b>	KT7XSCFP-R	<b>310</b>

If at least one of the accessories in table is installed on the breaker - respective pair of contact blocks must be installed on the fixed part (cradle) and the moving part. (breaker)

#### Position key lock – T7 - T7M-X1

Item	Catalog number	List Price
Key #20005 Different key	KT7XPL2 KT7XPL1	<b>\$ 202</b>

Locks drawout breaker in racked-in / test isolation / racked-out position.

#### Position key lock accessory – T7 - T7M-X1

Item	Catalog number	List Price
Key lock accessory	KT7XPLA	<b>\$ 35</b>

Accessory added to position key lock allows breaker to be locked in racked-out position only.

① Adaptors (T4-T6), Sliding contact blocks (T7) required when adding accessories to draw-out breakers.  
 ② Comes standard with horizontal terminals field convertible to vertical  
 ③ IEC  
 ④ SAT5 Discount schedule.

# Accessories

## T1 - T7

Tmax  
MCCBs



KT3MIF2

### DIN rail adapters

Item	Catalog Number	List Price
T1/T2 (mounts on 35 mm DIN rail 15mm high)	KT2DIN	\$ 33
T3 (mounts on 35mm DIN rail 15mm high)	KT3DIN	41
Ts3 (mounts on 75 mm DIN rail)	KTS3DIN	51

### Mechanical interlocks

Item	Catalog Number	List Price
<b>T1-T3</b>		
Sliding bar interlock-front mounted (2 Breakers)	KT3MIF2	\$ 625
Sliding bar interlock-front mounted (3 Breakers)	KT3MIF3	844
<b>T3</b>		
Rear Interlock-horizontal	KT3MI-H	896
Rear Interlock-vertical	KT3MI-V	985
<b>Ts3</b>		
Horizontal	KTS3MI-H	798
Vertical	KTS3MI-V	798
<b>T4-T5</b> ①		
Interlock frame		
Mechanical Interlock frame-horizontal	KT5MIR-HB	490
Mechanical Interlock frame-vertical	KT5MIR-VB	588
<b>Plate type</b>		
A T4 (F-P-W) T4 (F-P-W)	KT5MIR-PA	210
B T4 (F-P-W) T5 400 (F-P-W) OR T5 600 (F)	KT5MIR-PB	
C T4 (F-P-W) T5 600 (P-W)	KT5MIR-PC	
D T5 (F-P-W) T5 400 (F-P-W) OR 630 (F)	KT5MIR-PD	
E T4 (F-P-W) T5 600 (P-W)	KT5MIR-PE	
F T4 (F-P-W) T5 600 (P-W)	KT5MIR-PF	
<b>T6</b>		
Horizontal	KT6MI-H	620
Vertical	KT6MI-V	
<b>T7</b> ②		
Cable T7-X1	KT7XMLC	270
Mech. interlock plate-fixed	KT7XMLPW	670
Mech. interlock plate-draw-out	KT7XMLPF	670

① T4-T5 Complete assembly consists of one interlock frame and one plate.

② To interlock two circuit breakers, you have to order a cable kit and two plates.

## Enclosures Type 1 & 3R/12



T3E-1



T4E-3R12 ②

### Enclosures (Price does not include circuit breaker; order as a separate item.) ④

NEMA designation	Breaker type	Enclosure maximum rating		Approximate dimensions① H x W x D (inches)	Catalog number	List price
		AL cables	CU cables			
Type 1 ①	T1	100A	100A	15 x 8.5 x 4	T1E-1	\$ 267
	T2	100A	100A	15 x 8.5 x 4	T2E-1	267
	T3	175A	225A	20 x 11 x 4	T3E-1	315
	T4	200A	250A	26 x 15 x 6.25	T4E-1 ②	407
	T5	325A	400A	26 x 15 x 6.25	T5E-1 ②	435
Type 3R/12③	T1	100A	100A	15 x 8.5 x 7	T1E-3R12	407
	T2	100A	100A	15 x 8.5 x 7	T2E-3R12	407
	T3	175A	225A	20 x 11 x 7	T3E-3R12	527
	T4	200A	250A	26 x 15 x 9	T4E-3R12	625
	T5	325A	400A	26 x 15 x 9	T5E-3R12	767

### Neutral kits

Breaker type	Neutral cable capacity and wire range	Neutral kit catalog number	List price
T1 – T2	Neutral #14-1/0 Bonding Lug #14-1/0	T2NK125	\$ 140
T3	Neutral #6-250 kcmil Bonding Lug #14-1/0	T3NK225	150
T4	Neutral #6-250 kcmil Bonding Lug #14-1/0 kcmil	T4NK250	155
T5	Neutral (2) #6-250 kcmil Bonding Lug #14-1/0 kcmil	T5NK400	295

NOTE: The list price adder for factory installation of an enclosed circuit breaker is 50% of the enclosure list price.

## 16 Description

### Type 1

- General purpose indoor enclosure intended for use in normal environments to provide a degree of protection against contact with enclosed equipment.
- Sheet steel, surface mount.
- Breaker is front-operable and can be padlocked via a separately ordered padlock device.
- Available through 400A, 600VAC
- (SUSE) suitable for use as service equipment.

### Type 3R/12

- Type 3R is intended for outdoor use providing protection against rain, sleet or snow.
- Type 12 is for use in indoor atmospheres to provide a degree of protection against circulating dust, lint, sawdust, falling dirt and dripping non-corrosive liquids.
- Surface-mounted, sheet steel enclosure.
- Breaker can be operated via **separately ordered** handle mechanism; door is interlocked with mechanism.
- Available through 400A, 600VAC.
- (SUSE) suitable for use as service equipment.

① Padlocking provision must be ordered separately.

② Must order KT5FLD (padlock device) separately.

③ Variable depth rotary handle must be ordered separately.

④ Consult ABB for breakers installed in enclosures.

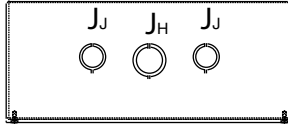
# Enclosures

## Approximate dimensions, T1 – T5

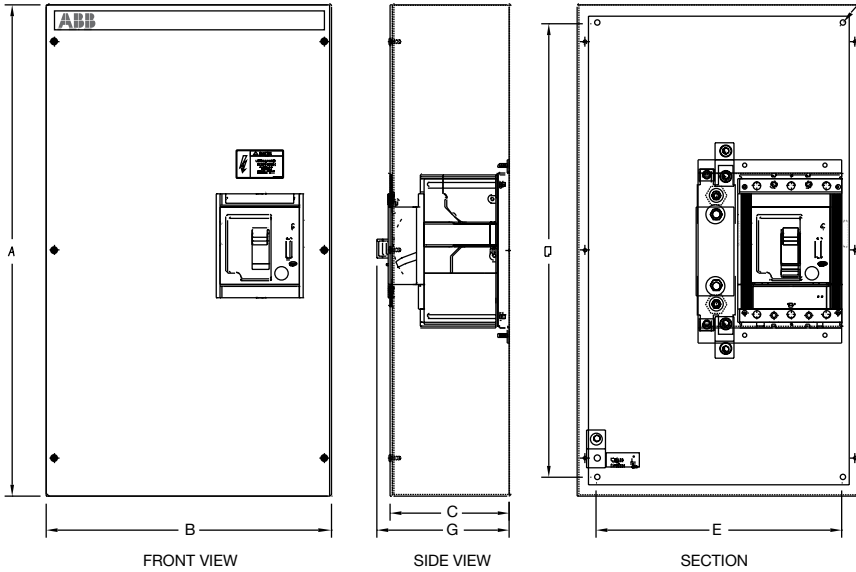
### NEMA 1, 3R & 12

Tmax  
MCCBs

#### NEMA 1



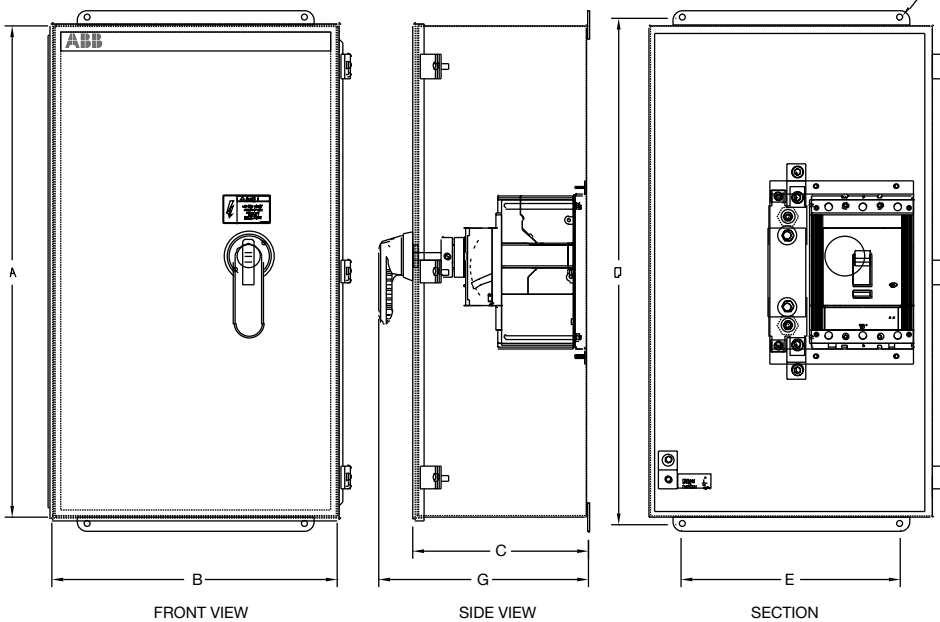
SHOWN WITH BREAKER, PADLOCK DEVICE AND NEUTRAL KIT ORDERED SEPARATELY



Cat. #	A	B	C	D	E	F	G	H	J
T1E-1	15.00 381	8.50 216	4.00 102	13.00 330	6.50 165	0.281 7	4.93 125	1, 1-1/4 25, 32	3/4, 1 19, 25
T2E-1	15.00 381	8.50 216	4.00 102	13.00 330	6.50 165	0.281 7	4.93 125	1, 1-1/4 25, 32	3/4, 1 19, 25
T3E-1	20.00 508	11.00 279	4.00 102	18.00 457	9.00 229	0.281 7	4.93 125	1, 1-1/4 25, 32	3/4, 1 19, 25
T4E-1	26.00 660	15.00 381	6.25 159	24.00 610	13.00 330	0.281 7	7.01 178	1, 1-1/4 25, 32	3/4, 1 19, 25
T5E-1	26.00 660	15.00 381	6.25 159	24.00 610	13.00 330	0.281 7	7.01 178	1, 1-1/4 25, 32	3/4, 1 19, 25

#### NEMA 3R, 12

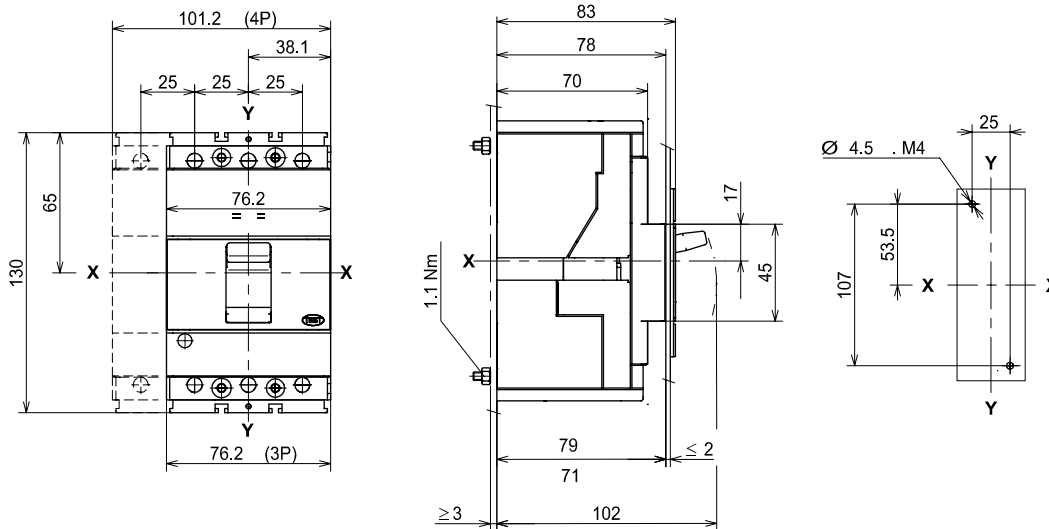
SHOWN WITH BREAKER, VARI-DEPTH MECHANISM, HANDLE, SHAFT AND NEUTRAL KIT, ORDERED SEPARATELY



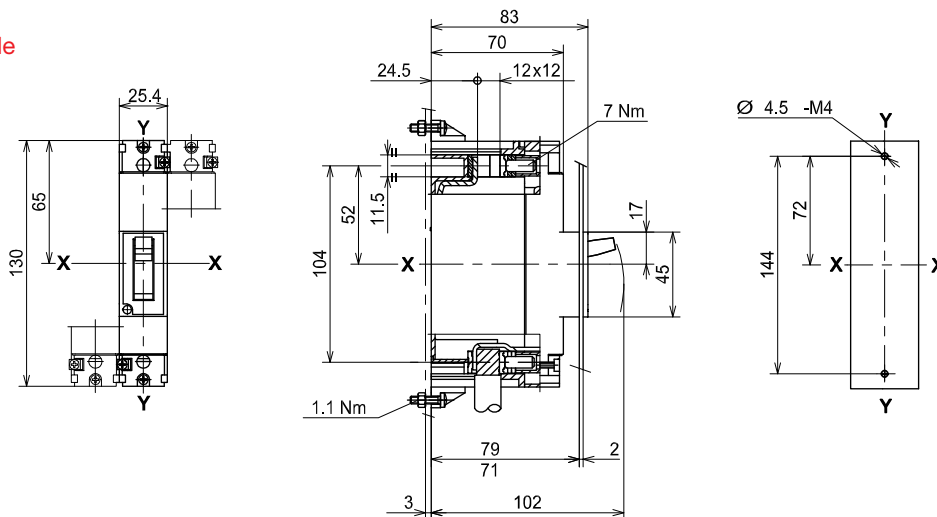
Cat. #	A	B	C	D	E	F	G
T1E-3R12	15.00 381	8.50 216	7.00 178	15.75 400	5.00 127	0.313 8	9.06 230
T2E-3R12	15.00 381	8.50 216	7.00 178	15.75 400	5.00 127	0.313 8	9.06 230
T3E-3R12	20.00 508	11.00 279	7.00 178	20.75 527	7.50 191	0.313 8	9.06 230
T4E-3R12	26.00 660	15.00 381	9.00 229	26.75 679	11.50 292	0.313 8	11.06 281
T5E-3R12	26.00 660	15.00 381	9.00 229	26.75 679	11.50 292	0.313 8	11.06 281

## Approximate dimensions T1 & T2

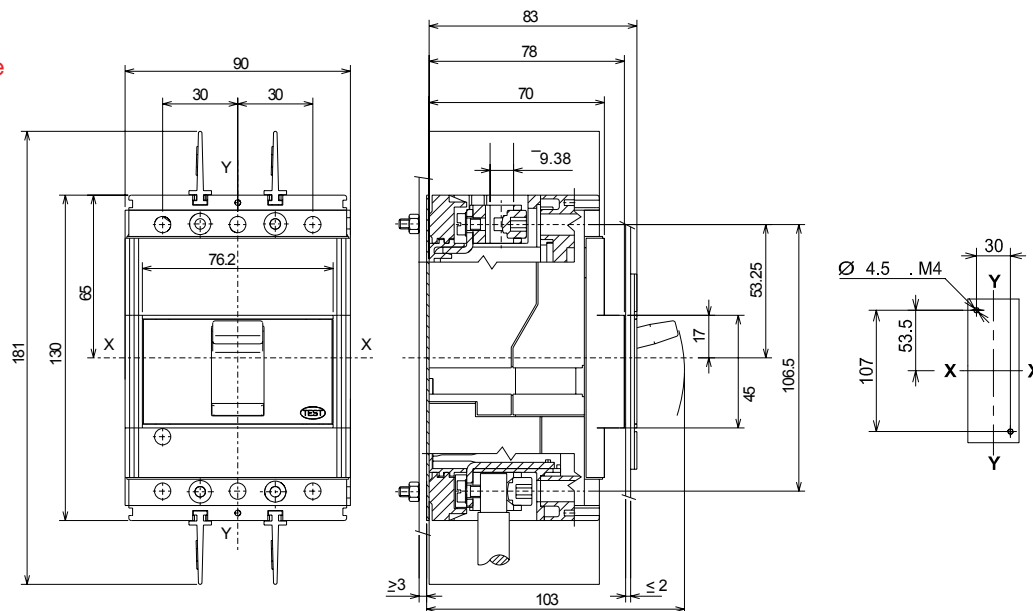
T1 — 3 pole



T1 — Single pole



T2 — 2 & 3 pole

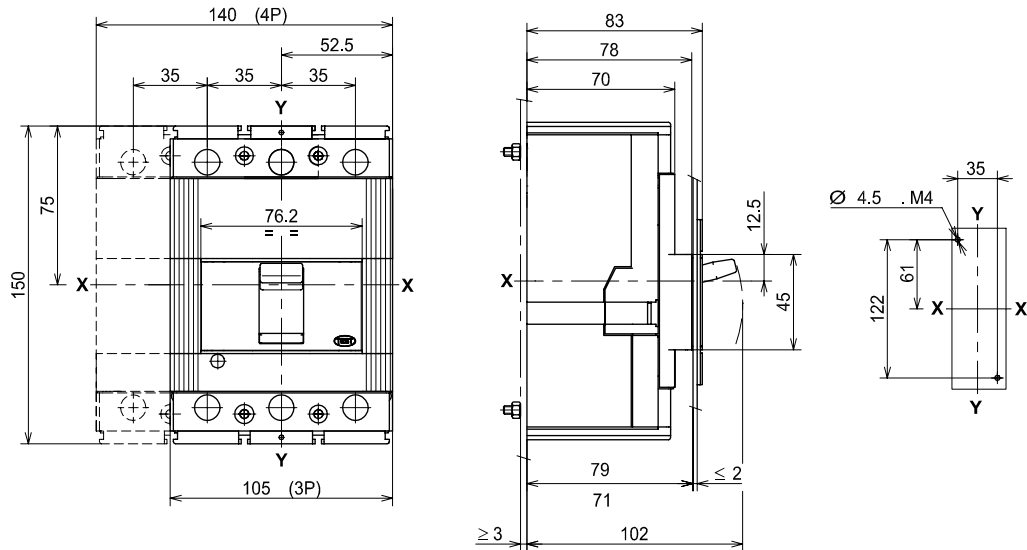




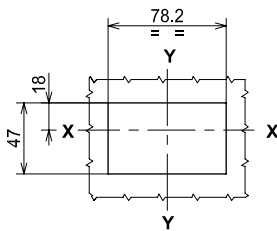
# Approximate dimensions T3

Tmax  
MCCBs

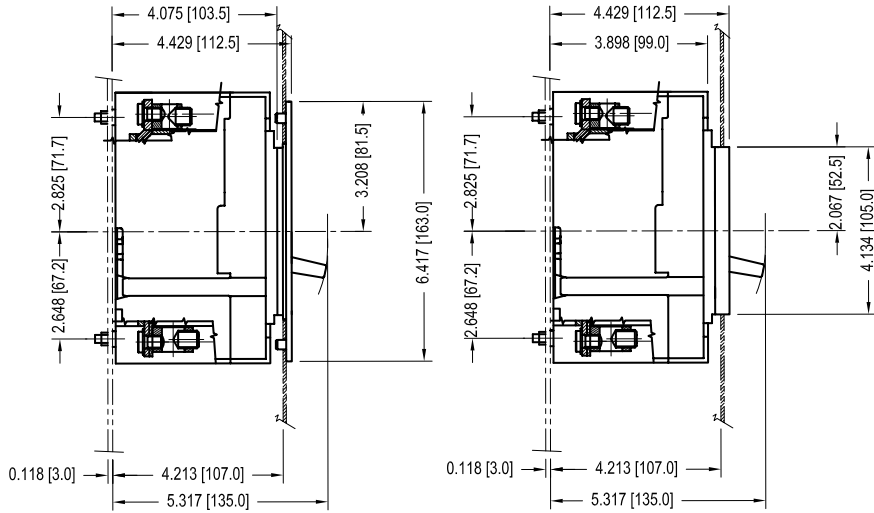
## T3 — 2 & 3 pole



## Door cut-out for Tmax without faceplate

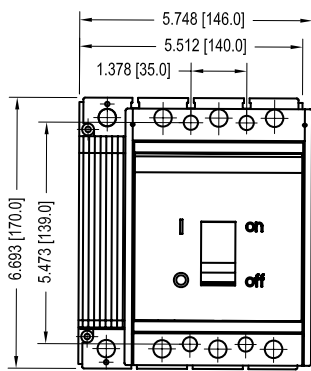


# Approximate dimensions T3s

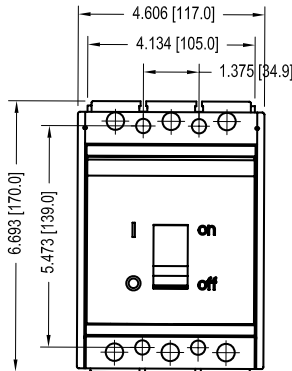


**T3S 3 & 4 POLE  
SIDE VIEW  
WITH FLANGE**

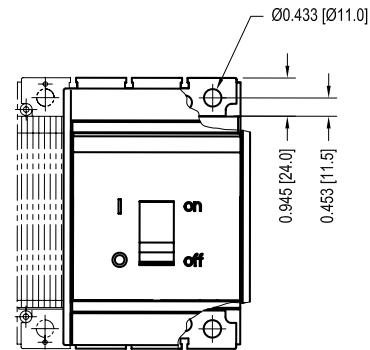
**T3S 3 & 4 POLE  
SIDE VIEW  
WITHOUT FLANGE**



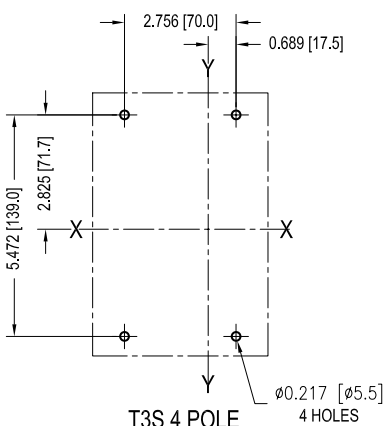
**T3S 4 POLE  
FRONT VIEW**



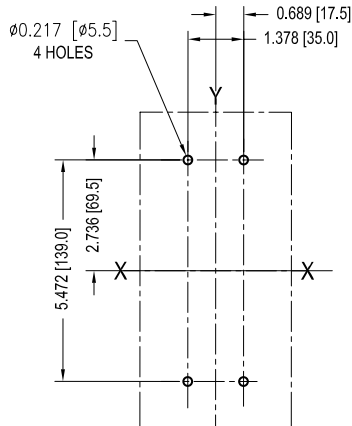
**T3S 3 POLE  
FRONT VIEW**



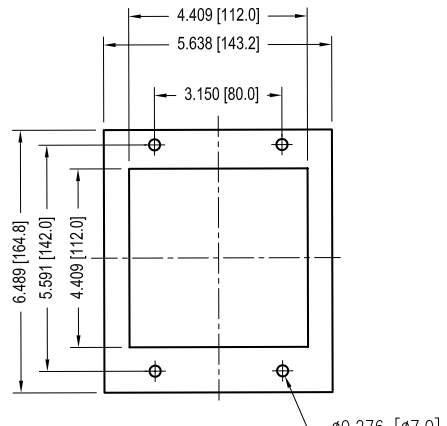
**T3S 3 & 4 POLE  
FRONT CONNECTION  
FRONT VIEW**



**T3S 4 POLE  
DRILLING  
FRONT VIEW**



**T3S 3 POLE  
DRILLING  
FRONT VIEW**



**T3S 3 POLE  
HANDLE DOOR  
CUT-OUT**

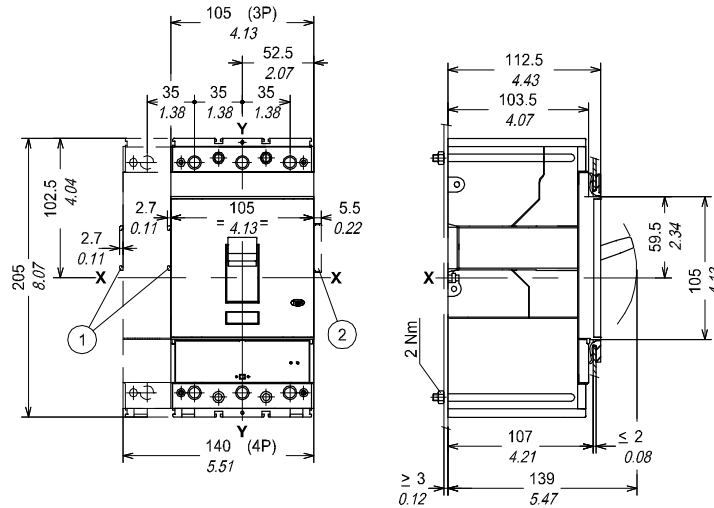
# Approximate dimensions T4

Tmax  
MCCBs

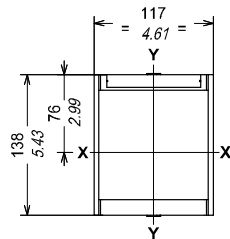
## Fixed circuit breaker

### Caption

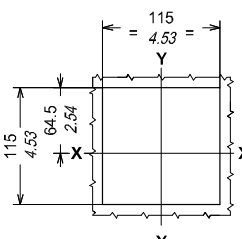
- ① Overall dimensions with cabled accessories mounted (SOR-C, UVR-C, RC221-222)
- ② Overall dimensions with cabled auxiliary contacts mounted (only 3Q 1SY)



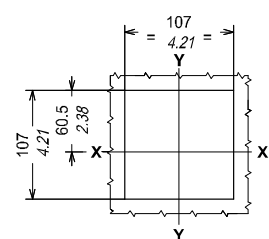
### Flange for compartment door



### Drilling templates of the compartment door



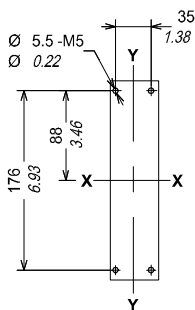
3-4 POLES  
With flange



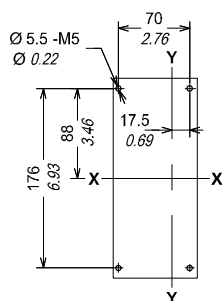
3-4 POLES  
Without flange

### Drilling templates for support sheet

For front terminals

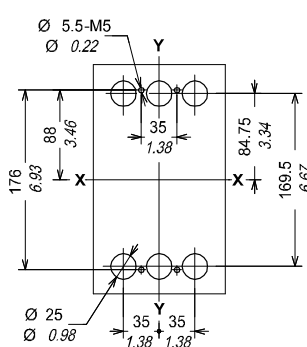


3 POLES

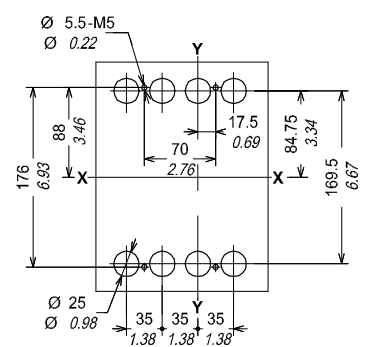


4 POLES

For rear terminals



Ø 25  
Ø 0.98



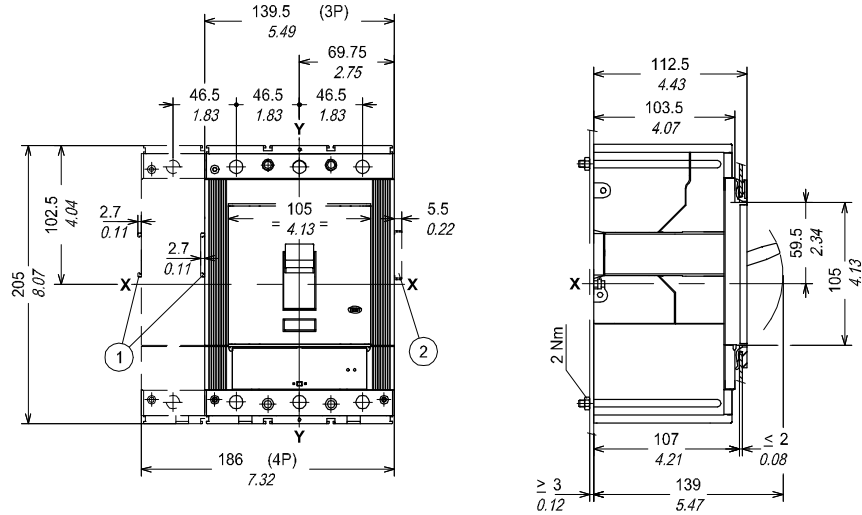
Ø 25  
Ø 0.98

Fixed circuit breaker

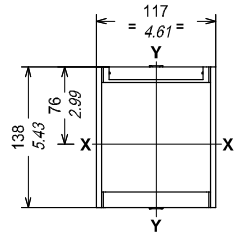
Fixing on sheet

Caption

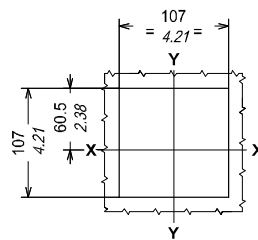
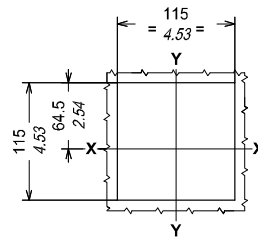
- ① Overall dimensions with cabled accessories mounted (SOR-C, UVR-C, RC221-222)
- ② Overall dimensions with cabled auxiliary contacts mounted (only 3Q 1SY)



Flange for compartment door



Drilling templates of the compartment door

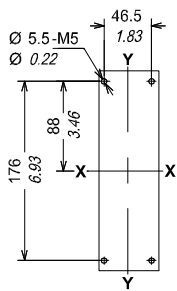


With flange (3-4 POLES)

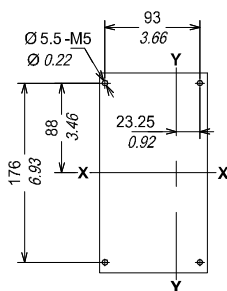
Without flange (3-4 POLES)

Drilling templates for support sheet

For front terminals

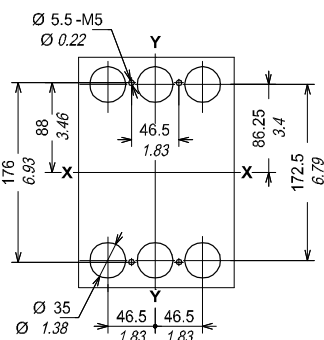


3 POLES

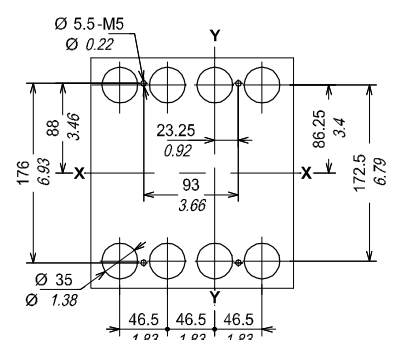


4 POLES

For rear terminals



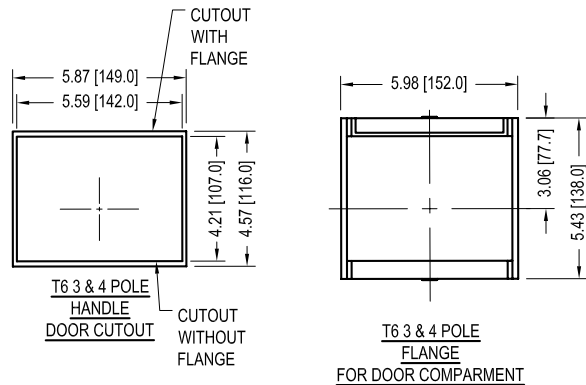
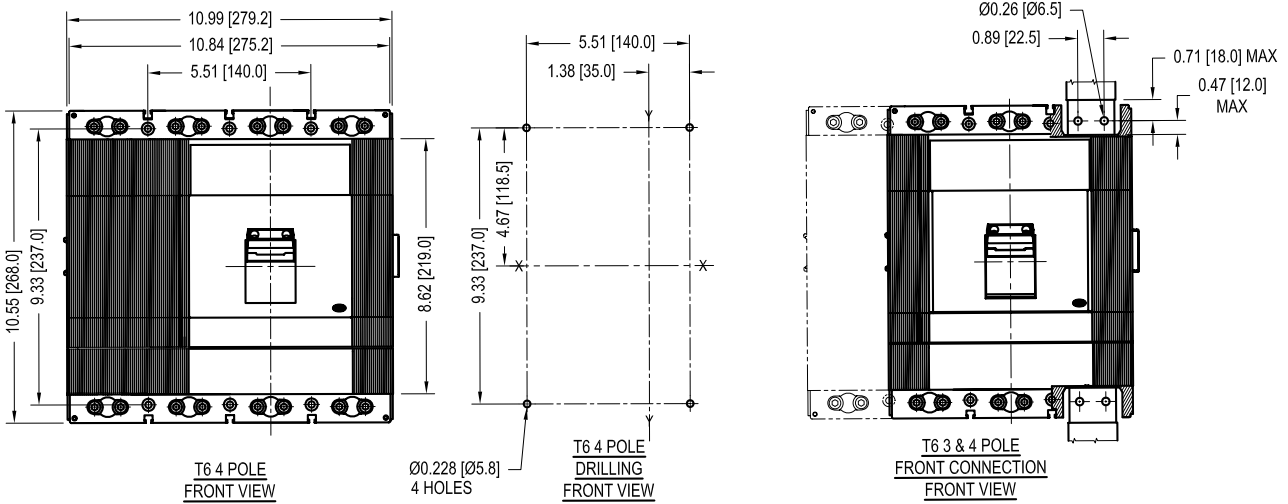
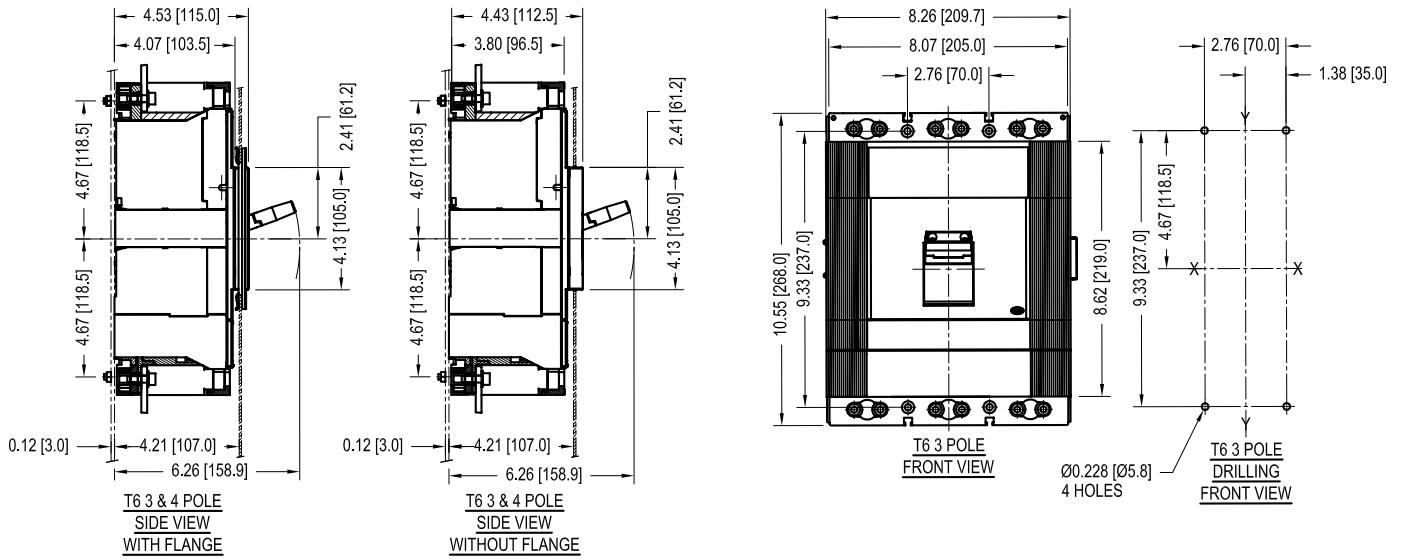
3 POLES



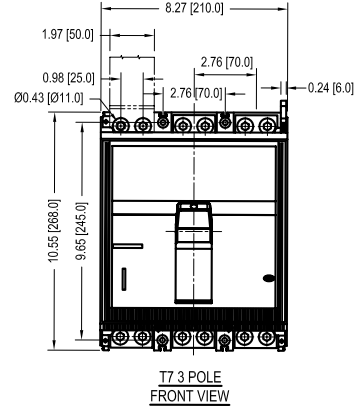
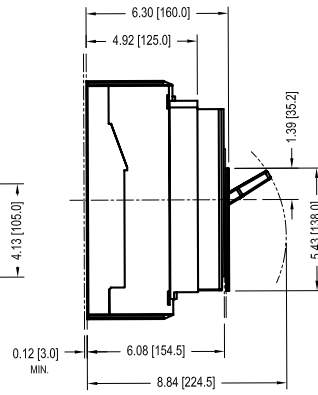
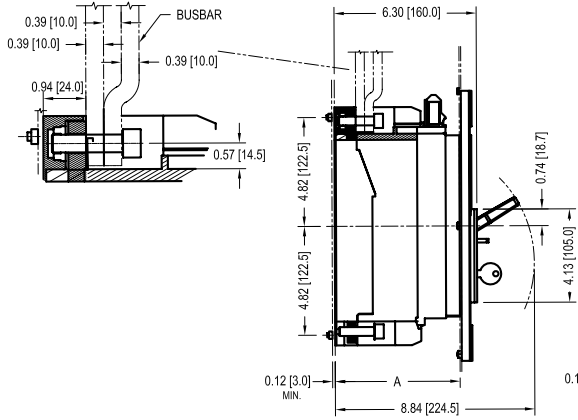
4 POLES

# Approximate dimensions T6

Tmax  
MCCBs



# Approximate dimensions T7

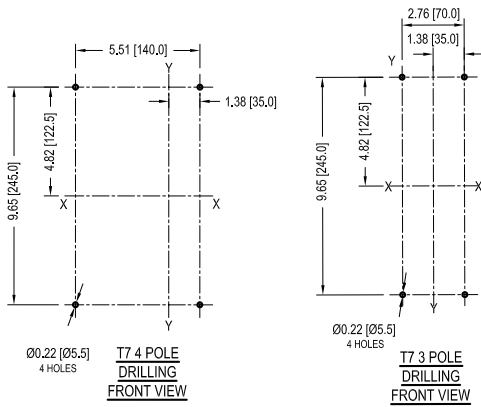


	WITH FLANGE	WITHOUT FLANGE
A	4.92 [125.0] - 5.55 [141.0]	5.79 [147.0]

T7 3 & 4 POLE  
SIDE VIEW  
WITH FLANGE

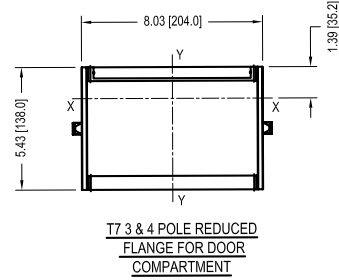
T7 3 & 4 POLE  
SIDE VIEW  
WITH REDUCED FLANGE

T7 3 POLE  
FRONT VIEW

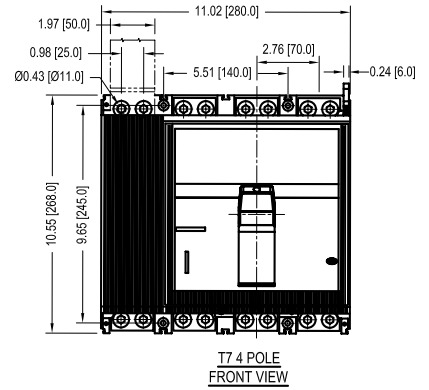


T7 4 POLE  
DRILLING  
FRONT VIEW

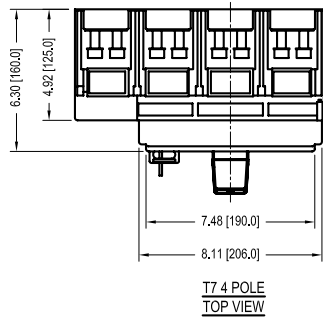
T7 3 POLE  
DRILLING  
FRONT VIEW



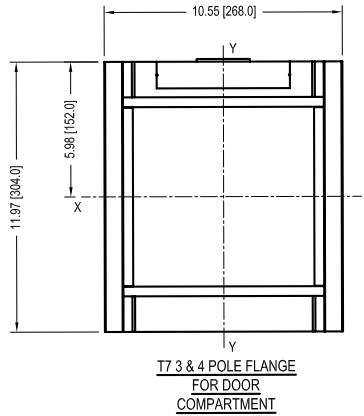
T7 3 & 4 POLE REDUCED  
FLANGE FOR DOOR  
COMPARTMENT



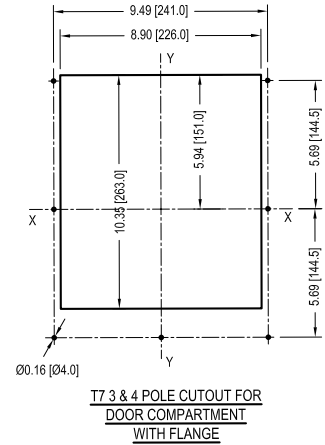
T7 4 POLE  
FRONT VIEW



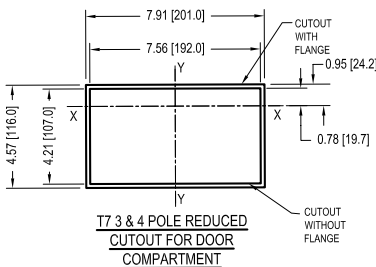
T7 4 POLE  
TOP VIEW



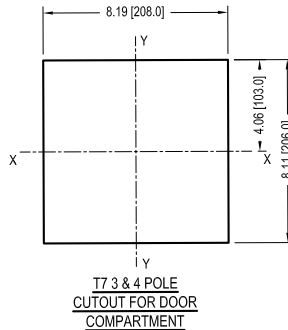
T7 3 & 4 POLE FLANGE  
FOR DOOR  
COMPARTMENT



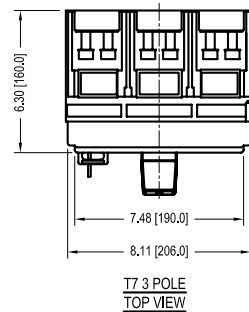
T7 3 & 4 POLE CUTOUT FOR  
DOOR COMPARTMENT  
WITH FLANGE



T7 3 & 4 POLE REDUCED  
CUTOUT FOR DOOR  
COMPARTMENT



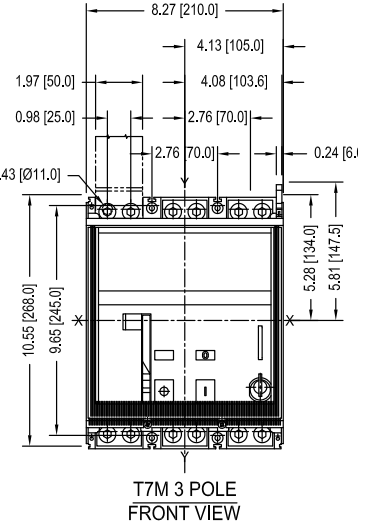
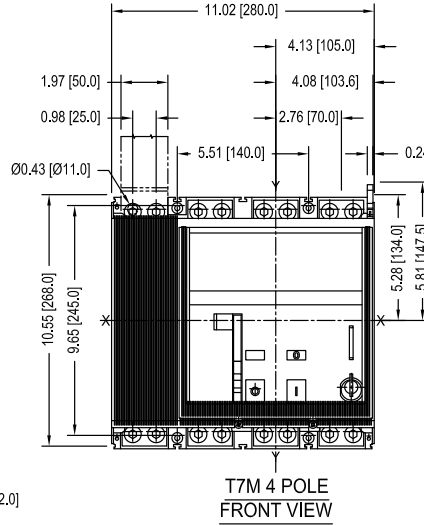
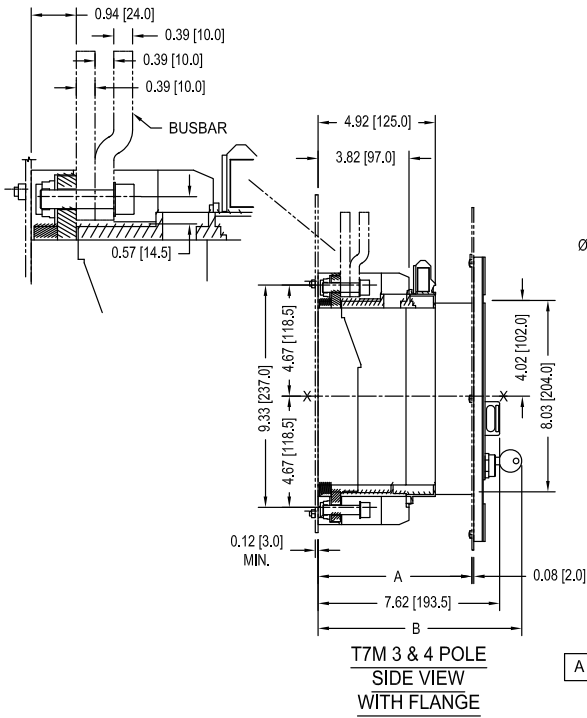
T7 3 & 4 POLE  
CUTOUT FOR DOOR  
COMPARTMENT



T7 3 POLE  
TOP VIEW

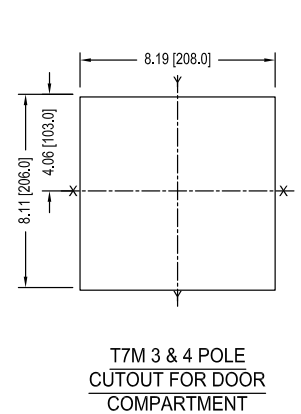
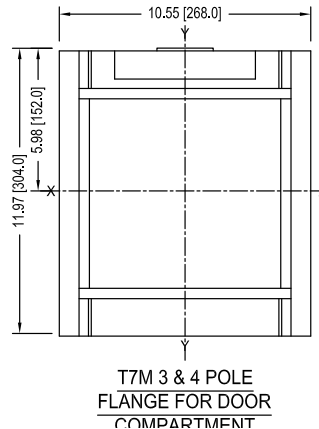
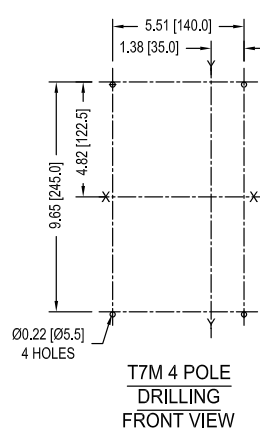
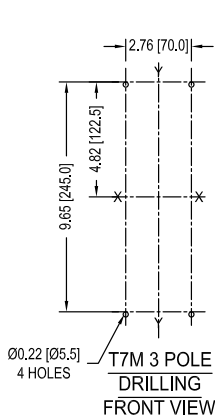
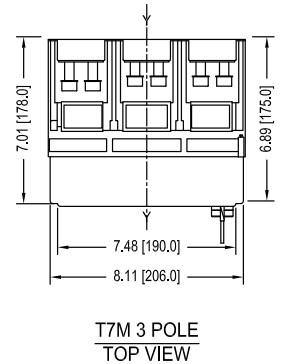
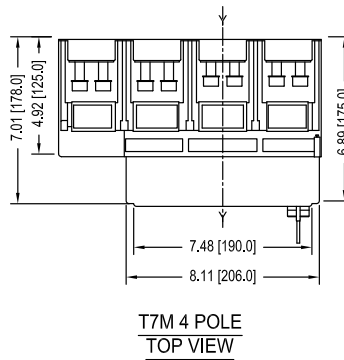
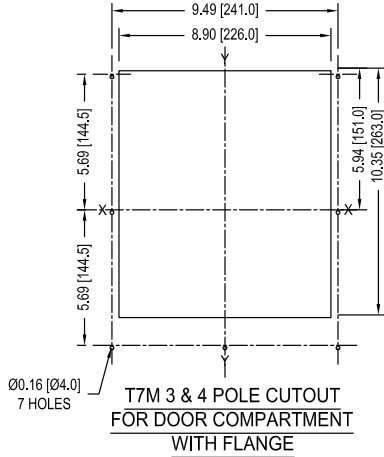
# Approximate dimensions T7M Fixed, 3 Pole, front terminals

Tmax  
MCCBs



	WITH FLANGE	WITHOUT FLANGE
A	4.92 [125.0]-6.46 [164.0]	6.69 [170.0]

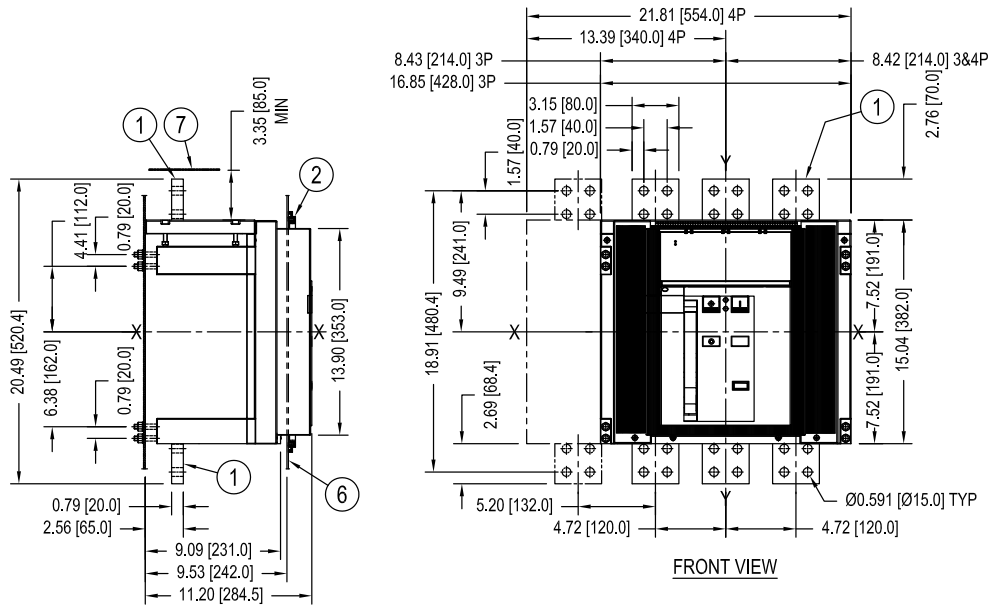
	STANDARD	RONIS	PROFALUX	KIRK	CASTEL
B	8.19 [208.0]	8.50 [216.0]	8.82 [224.0]	NO	NO



## Approximate dimensions

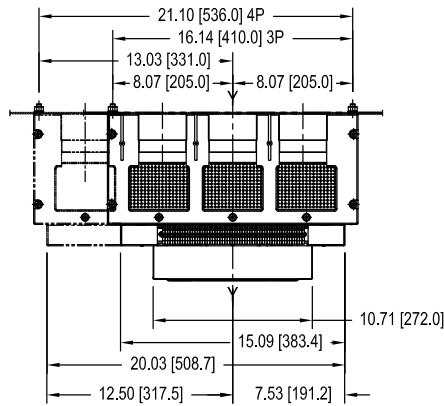
### T8, Fixed, 3 pole, front terminals

### 1600A, 2000A, 2500A



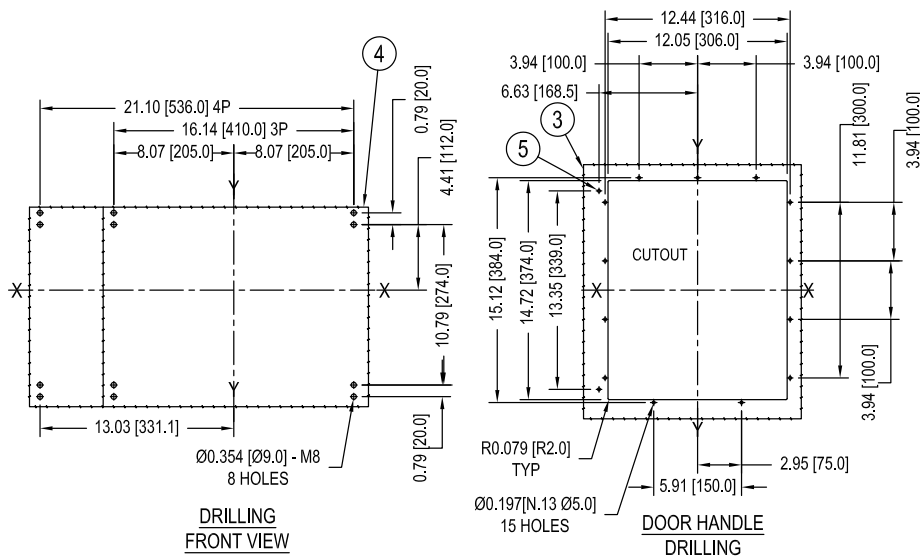
SIDE VIEW

FRONT VIEW



TOP VIEW

- CAPTION:
- 1 - FRONT TERMINALS
  - 2 - FLANGE FOR THE COMPARTMENT DOOR
  - 3 - PANEL DOOR DRILLING TEMPLATE
  - 4 - CIRCUIT BREAKER FIXING PANEL DRILLING TEMPLATE (USE M8 SCREWS)
  - 5 - NO. 2 HOLES FOR IP54 PROTECTION
  - 6 - PANEL DOOR INTERNAL PLATE REFERENCE
  - 7 - INSULATING BARRIER

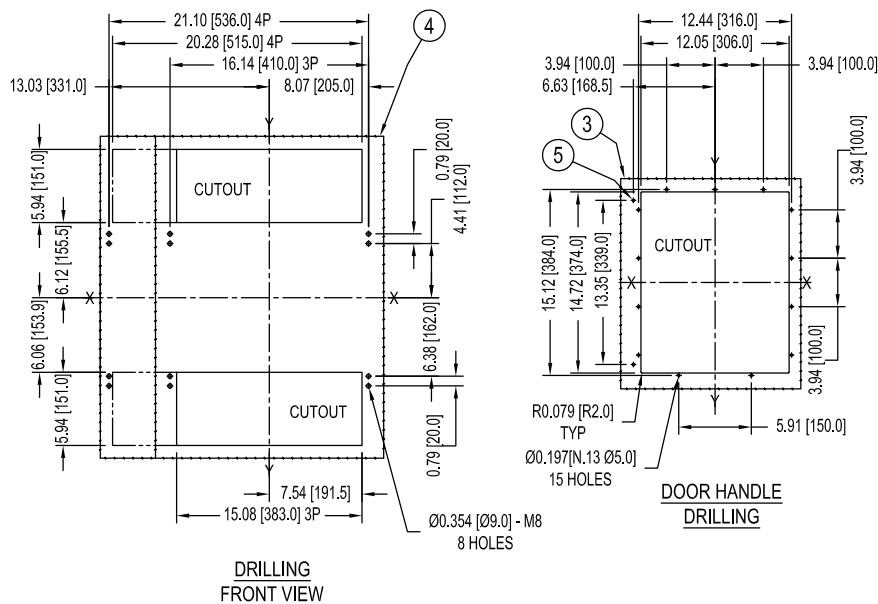
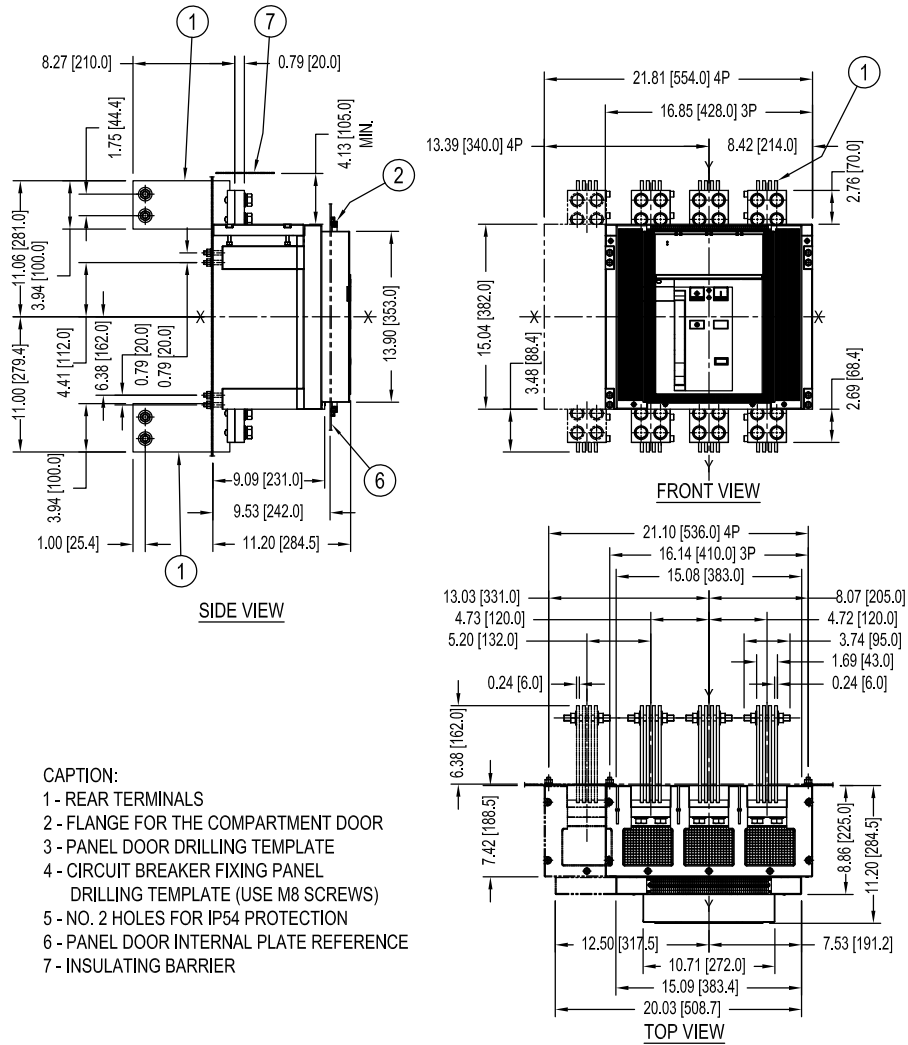


DRILLING FRONT VIEW

DOOR HANDLE DRILLING

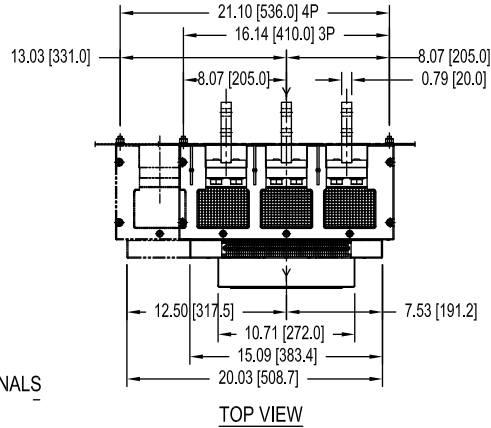
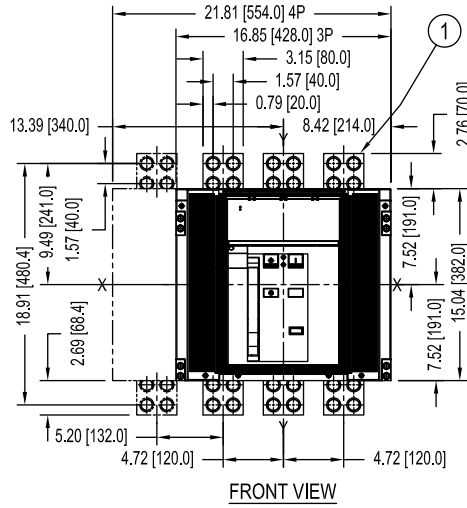
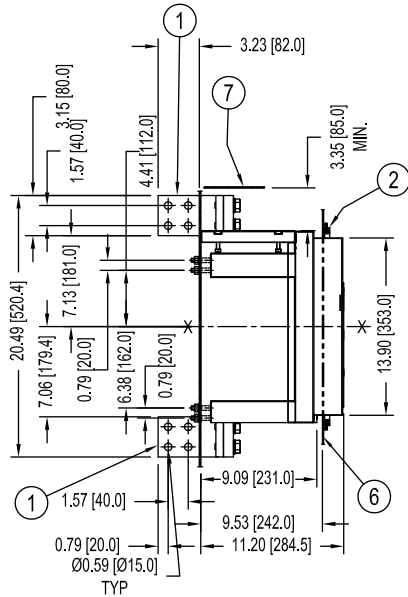


**Approximate dimensions**  
**T8, Fixed, Vertical rear terminals**  
**80% rated 3000A; 100% rated 2500A, 3000A**



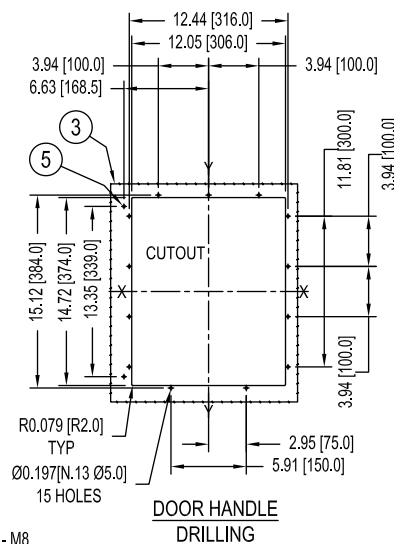
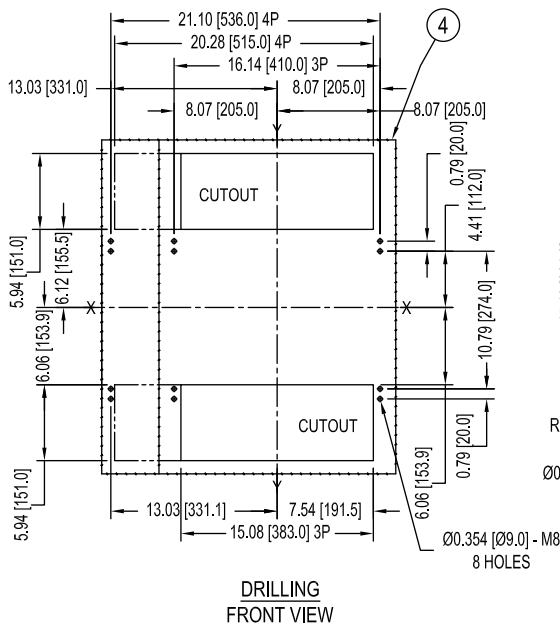
# Approximate dimensions

## T8, Fixed, Optional vertical rear terminals (KT82500VR-x) 1600A/2000A/2500A



- CAPTION:**
- 1 - REAR TERMINALS
  - 2 - FLANGE FOR THE COMPARTMENT DOOR
  - 3 - PANEL DOOR DRILLING TEMPLATE
  - 4 - CIRCUIT BREAKER FIXING PANEL DRILLING TEMPLATE (USE M8 SCREWS)
  - 5 - NO. 2 HOLES FOR IP54 PROTECTION
  - 6 - PANEL DOOR INTERNAL PLATE REFERENCE
  - 7 - INSULATING BARRIER

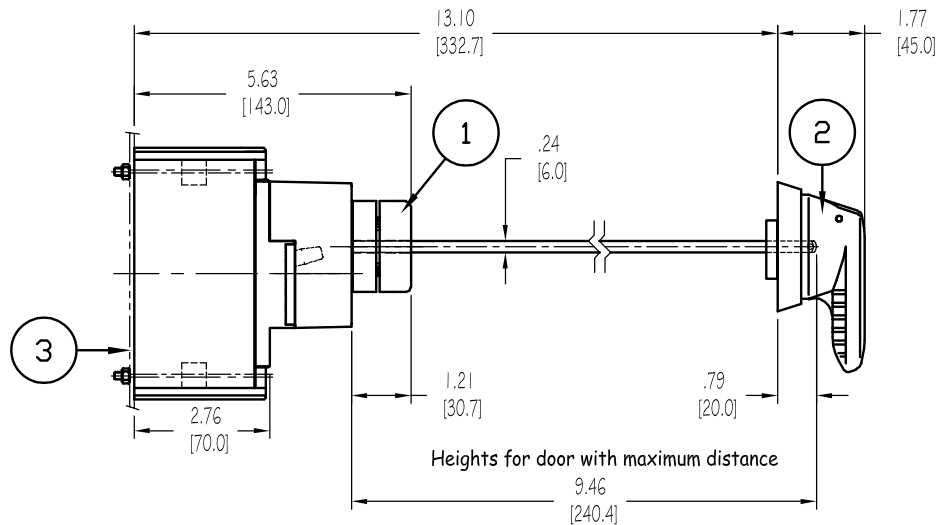
SHOWN WITH OPTIONAL KT82500VR-6 TERMINALS



# Approximate dimensions T1 - T3 Variable depth mechanism with OHB handle

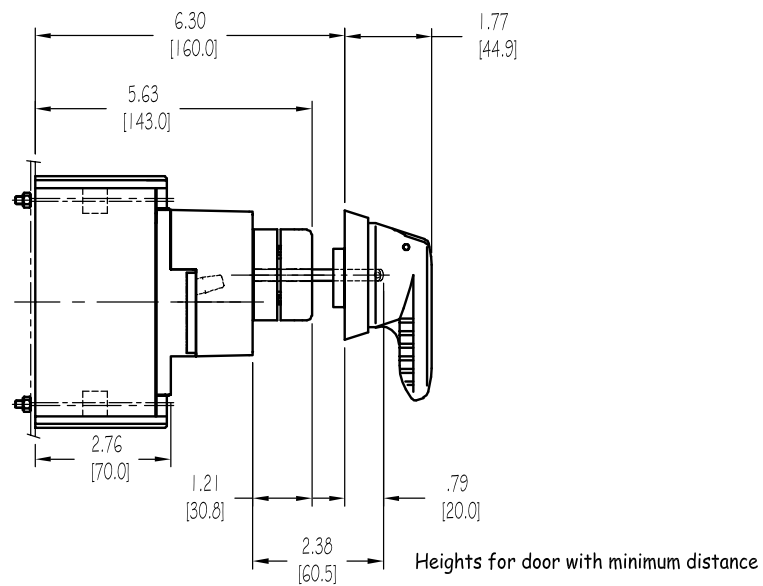
Tmax  
MCCBs

Pistol handle operating mechanism on the compartment door



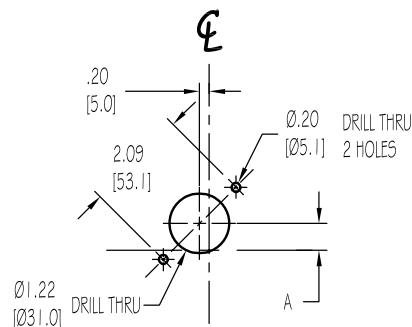
Caption

- ① Transmission unit
- ② Pistol handle operating mechanism on the compartment door
- ③ Insulating plate



Drilling template of the compartment door

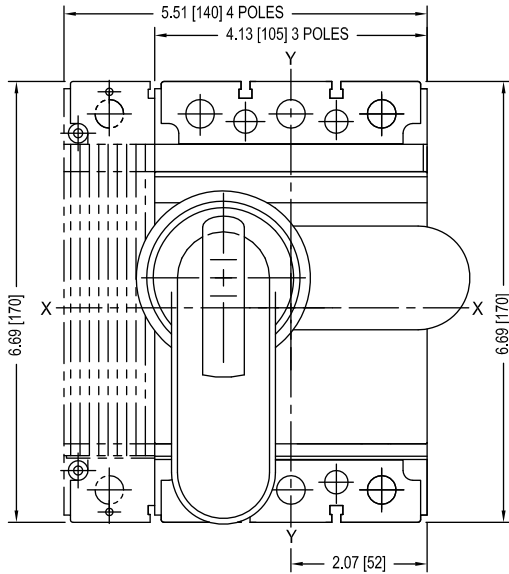
A	
T1 - T2	T3
0.55 [13.97]	0.37 [9.4]



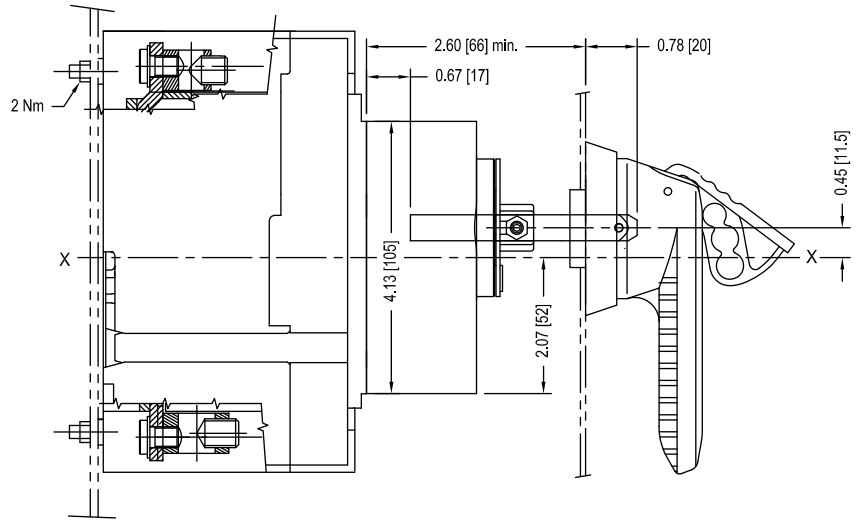
# Approximate dimensions

## Ts3

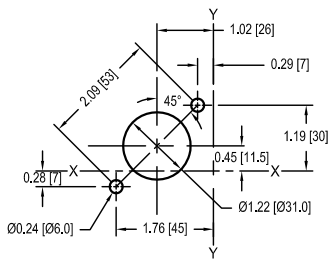
### Variable depth mechanism with OHB handle



FRONT VIEW



SIDE VIEW



OHV HANDLE DRILLING

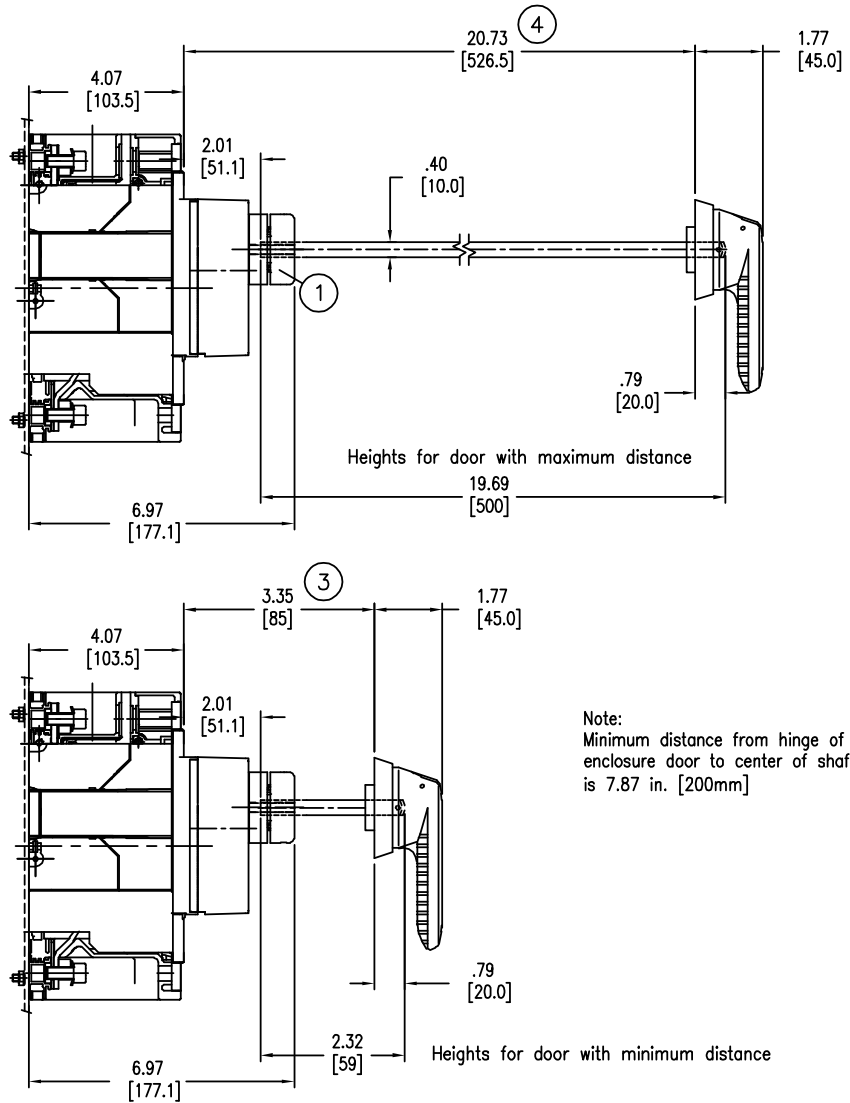
# Approximate dimensions

## T4 - T5

### Variable depth mechanism with OHB handle

Tmax  
MCCBs

Pistol handle operating mechanism on the compartment door

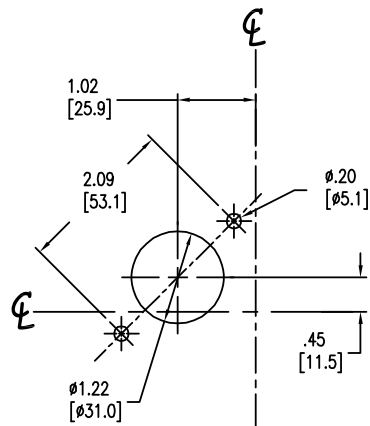


Caption

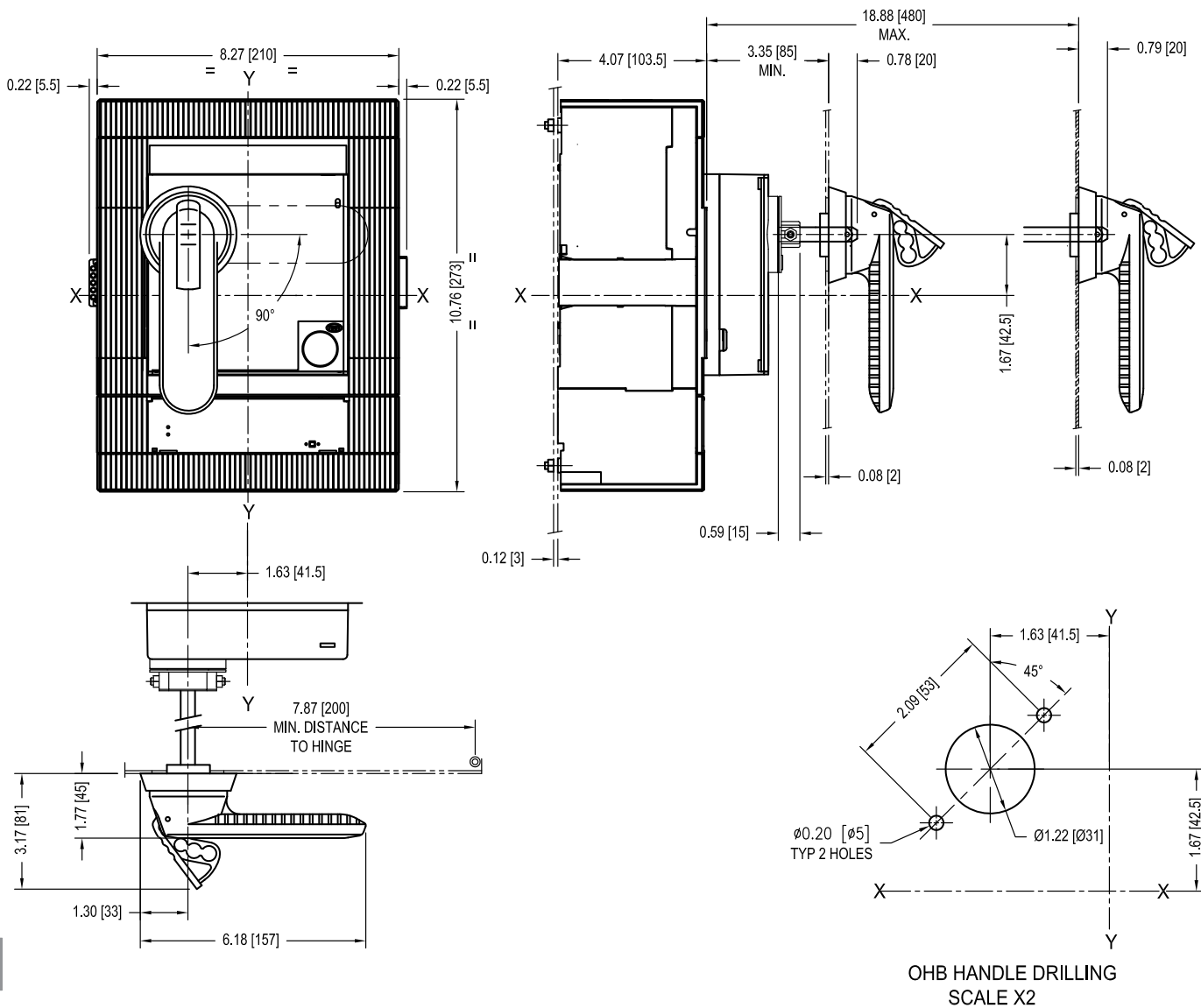
- ① Transmission unit
- ② Pistol handle operating mechanism on the compartment door
- ③ Minimum distance from the front door with accessory
- ④ Maximum distance from the front door with accessory

Note:  
Minimum distance from hinge of enclosure door to center of shaft is 7.87 in. [200mm]

Drilling template of the compartment door



# Approximate dimensions T6 Variable depth mechanism



**Approximate dimensions**  
**T7**  
**Variable depth mechanism**

Tmax  
MCCBs

