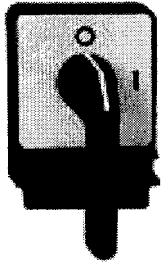


Protection components

VARIO switch disconnectors, 12 to 175 A
Complete units

References

3-pole main and emergency stop switch disconnectors - package units (1)



VCC-6

| Handle | Front plate mm | Fixing | Marking | Rating A | Reference | Weight kg |
|--|--------------------|----------|--------------------|-------------|-----------|--------------|
| Red padlockable with up to 3 padlocks Padlocks not supplied. | 60 x 60 Yellow | 4 screws | L ₁ (2) | 12 | VCC-02 | 0.360 |
| | | | | 20 | VCC-01 | 0.360 |
| | | | | 25 | VCC-0 | 0.360 |
| | | | | 32 | VCC-1 | 0.360 |
| | | | | 40 | VCC-2 | 0.360 |
| | | | | 63 | VCC-3 | 0.770 |
| Red, cross type padlockable with up to 3 padlocks Padlocks not supplied. | 91 x 128 Yellow | 4 screws | L ₁ (2) | 125 | VCC-5 | 1.400 |
| | | | | 175 | VCC-6 | 1.400 |

(1) Package units comprise switch body, operator, door interlock, extension shaft, incoming terminal shroud, and seal to give ingress protection IP 65 where appropriate.
(2) During the lifetime of this catalogue the front plate marking will change to $\circ \perp$

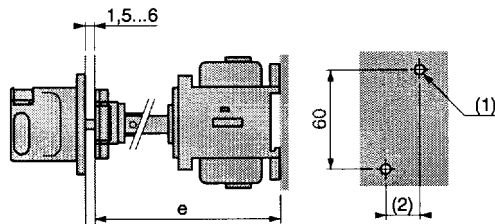
Switch disconnector mounted on rear of enclosure

Switch disconnectors

VCC02 to VCC4

V02, V01, V0 to V4 with shaft extension VZ-17 or VZ-30

(Clip-on mounting on top hat rail possible for V0 to V2)

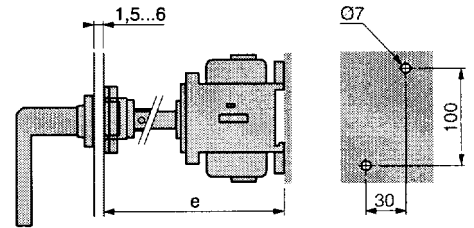


| | | |
|-----|-----------|----------------|
| (1) | 2 x Ø 4.2 | : V0, V0 to V2 |
| | 2 x Ø 5 | : V3, V4 |
| (2) | 15 | : V0, V0 to V2 |
| | 20 | : V3, V4 |

VCC5 and VCC6

V5 and V6 with shaft extension

VZ-18 or VZ-31



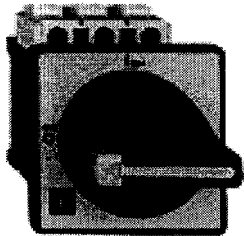
| | Distance (e) encl. back/door mm | Shaft Extension | | Distance (e) encl. back/door mm | Shaft Extension |
|---------------------------|---------------------------------------|--------------------|--------------------------|---------------------------------------|--------------------|
| V02 and V01, VCC02, VCC01 | 300...330 | VZ 17 | V3 and V4, VCC3 and VCC4 | 400...420 | VZ 30 |
| V0 to V2, VCC0 to VCC2 | 400...430 | VZ 30 | | 330...350 | VZ 18 |
| | 300...320 | VZ 17 | V5 and V6, VCC5 and VCC6 | 430...450 | VZ 31 |

Protection components

VARIO switch disconnectors, 12 to 175 A
Complete units

References

3-pole main and emergency stop switch disconnectors with handle assembly



VCF-02

| Handle | Front plate mm | Fixing | Marking | Rating A | Reference | Weight kg |
|--|--------------------|----------|---------|-------------|-----------|--------------|
| Red padlockable with up to 3 padlocks Padlocks not supplied. | 60 x 60 Yellow | 4 screws | | 12 | VCF-02 | 0.250 |
| | | | | 20 | VCF-01 | 0.250 |
| | | | | 25 | VCF-0 | 0.250 |
| | | | | 32 | VCF-1 | 0.250 |
| | | | | 40 | VCF-2 | 0.250 |
| | | | | 63 | VCF-3 | 0.560 |
| | | | | 80 | VCF-4 | 0.560 |
| Red, cross type padlockable with up to 3 padlocks Padlocks not supplied. | 91 x 128 Yellow | 4 screws | | 125 | VCZ-5 | 1.200 |
| | | | | 175 | VCZ-6 | 1.200 |

Switch disconnector front mounted on enclosure

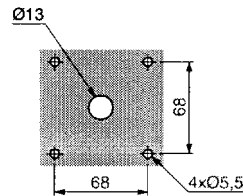
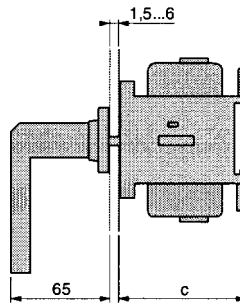
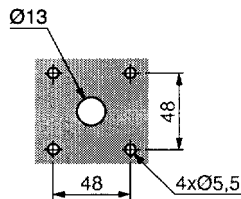
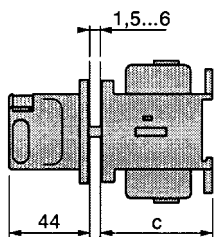
V0●, V0 to V4

VCF0●, VCF0, to VCF4

Fixing by 4 screws

V5 and V6
VCZ5 and VCZ6

Fixing by 4 screws



Switch body height

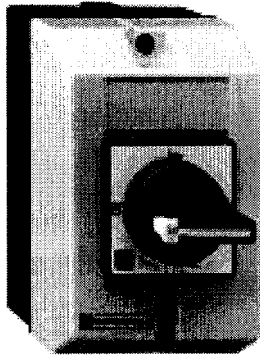
| | c |
|----------------------|----|
| V0●, V0 to V2, VCF0● | 60 |
| V3, V4, VCF3, VCF4 | 65 |
| V5, V6, VCZ5, VCZ6 | 90 |

Protection components

VARIO enclosed switch disconnectors, 12 to 175 A
Enclosures with handle only

References

Dimensions :
page 1/136



VCFX-GE

Enclosures fitted with padlockable handle.

Supplied without switch disconnector

With black padlockable handle and black front plate for mounting a main switch disconnector

| For mounting switch body type | Front plate marking | lthe A | Possible attachment Neutral pole module + Block with 2 auxiliary contacts | Reference | Weight kg |
|-------------------------------|---------------------|----------|---|-----------------|-----------|
| V02 thro' V2 | ○ ↓ | 10 to 32 | 1 x VZ-11 + 1 x VZ-7 or 1 x VZ-20 | VBFX-GE1 | 0.700 |

| | | | | | |
|--------|-----|----------|---|-----------------|-------|
| V3, V4 | ○ ↓ | 50 to 63 | 2 x VZ-7 or 2 x VZ-20 3 add-on modules see page 1/137 | VBFX-GE2 | 0.700 |
|--------|-----|----------|---|-----------------|-------|

With red padlockable handle and yellow front plate for mounting a main or emergency stop switch disconnector

| For mounting switch body type | Front plate marking | lthe A | Possible attachment Neutral or main pole module + Block with 2 auxiliary contacts | Reference | Weight kg |
|-------------------------------|---------------------|----------|---|-----------------|-----------|
| V02 thro' V2 | ○ ↓ | 10 to 32 | 1 x VZ-11 or VZ● + VZ-7 or VZ-20 or 2 x VZ-20 | VCFX-GE1 | 0.700 |

| | | | | | |
|--------|-----|-----------|--------------------------------------|-----------------|-------|
| V3, V4 | ○ ↓ | 50 and 63 | 3 add-on modules : see page 1/138 | VCFX-GE2 | 1.130 |
|--------|-----|-----------|--------------------------------------|-----------------|-------|

(1) Enclosures VCF have an IP 65 degree of protection and are sealable and lockable.

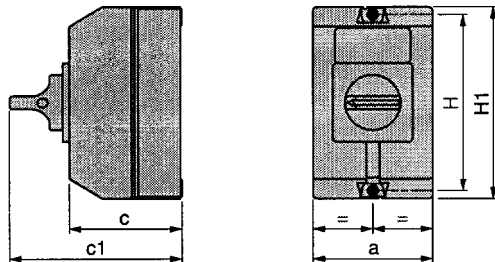
(2) 1 add-on module may be fitted: see page 1/137.

(3) 3 add-on modules can be fitted : see page 1/137.

(4) 1 neutral pole module VZ-13 or 1 auxiliary contact module (VZ-7 or VZ-20) may be fitted.

Also available: Vario 6-pole enclosed switch disconnectors with 2 auxiliary contacts, consult your Regional customer centre.

Enclosures V●FX-GE1 and V●FX-GE2



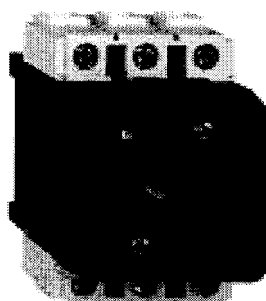
| | V●FX-GE1 | V●FX-GE2 |
|----|----------|----------|
| a | 90 | 150 |
| c | 85 | 106 |
| c1 | 131 | 152 |
| H | 130 | 154 |
| H1 | 146 | 170 |

Protection components

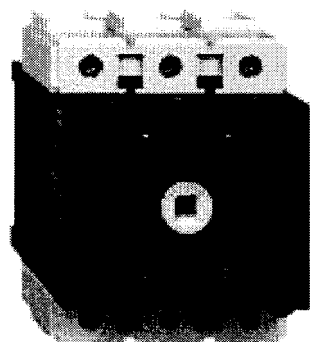
VARIO switch disconnectors, 12 to 175 A
 Components for customer assembly
 Switch bodies, add-on modules, auxiliary contacts

References

Switch bodies



V2



V5



VZ-11



VZ-14

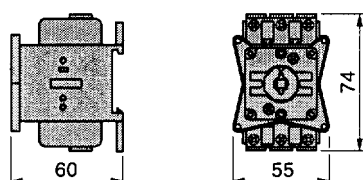
| Description | Rating A | Reference | Weight kg |
|---------------------------------|-------------|-----------|--------------|
| 3-pole switch disconnectors (1) | 12 | V02 | 0.200 |
| | 20 | V01 | 0.200 |
| | 25 | V0 | 0.200 |
| | 32 | V1 | 0.200 |
| | 40 | V2 | 0.200 |
| | 63 | V3 | 0.500 |
| | 80 | V4 | 0.500 |
| | 125 | V5 | 0.900 |
| | 175 | V6 | 0.900 |

Add-on modules

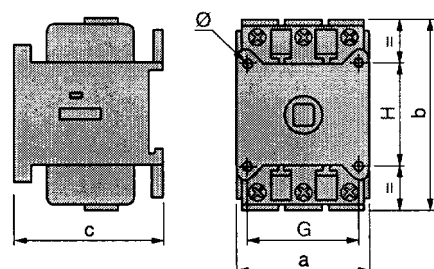
| | | | |
|---|---------------|-------|-------|
| Main pole module (1) | 12 | VZ-02 | 0.050 |
| | 20 | VZ-01 | 0.050 |
| | 25 | VZ-0 | 0.050 |
| | 32 | VZ-1 | 0.050 |
| | 40 | VZ-2 | 0.050 |
| | 63 | VZ-3 | 0.100 |
| Neutral pole module with early make and late break contacts (1) | 12 to 40 | VZ-11 | 0.050 |
| | 63 and 80 | VZ-12 | 0.100 |
| | 125 and 175 | VZ-13 | 0.250 |
| Earthing module | 12 to 40 | VZ-14 | 0.050 |
| | 63 and 80 | VZ-15 | 0.100 |
| | 125 and 175 | VZ-16 | 0.250 |
| Auxiliary contact block module with 2 auxiliary contacts | N/O + N/C (2) | VZ-7 | 0.050 |
| | N/O + N/O | VZ-20 | 0.050 |

(1) Protection shrouds are available if required : see page 1/140.
 (2) Late make N/O contact, early break N/C contact.

Switch disconnectors V0e, V0 to V2

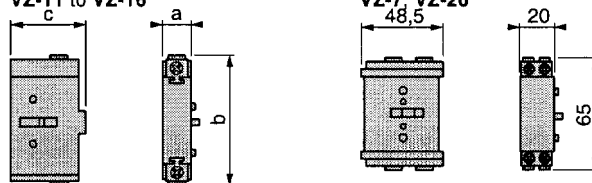


V3 to V6



| | a | b | c | G | H | Ø |
|--------|----|-----|----|----|----|-----|
| V3, V4 | 60 | 83 | 65 | 48 | 48 | 5.5 |
| V5, V6 | 90 | 125 | 90 | 68 | 68 | 5.5 |

Add-on modules VZ-02 to VZ-4 VZ-11 to VZ-16



| | a | b | c |
|---|----|-----|----|
| VZ-02 and VZ-01, VZ-0 to VZ-2, VZ-11, VZ-14 | 16 | 74 | 35 |
| VZ-3, VZ-4, VZ-12, VZ-15 | 20 | 83 | 46 |
| VZ-13, VZ-16 | 30 | 125 | 63 |

Protection components

VARIO switch disconnectors, 12 to 175 A Mounting options - Add-on modules

Any combination of contacts may be fitted subject to the following rules :

Switch types V02 to V4

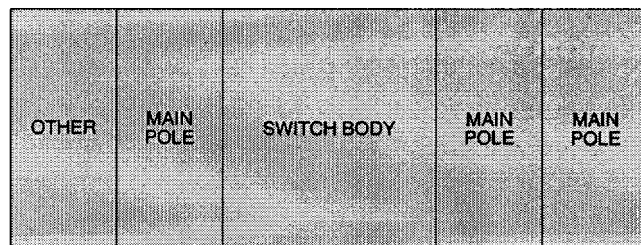
A maximum of 3 main poles may be added to a switch body - 2 on one side and one on the other.

When mounting a mixture of main poles and other attachments, the main poles must always be mounted nearest the main switch body with other attachments outside.

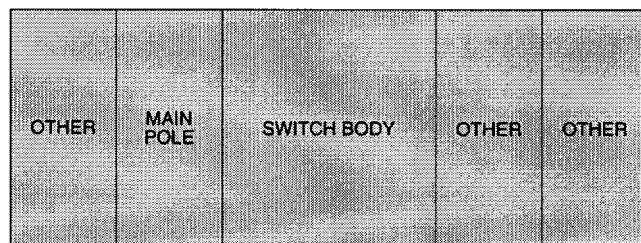
A maximum of 4 attachments may be fitted in total.

When fitting main poles, always select a main pole of the same rating as the switch body.

3 Main pole attachments (same rating as switch body)
+ 1 other attachment



1 Main pole (same rating as switch body) with up to 3 other attachments (NB: earthing module should always be fitted furthest from switch body).



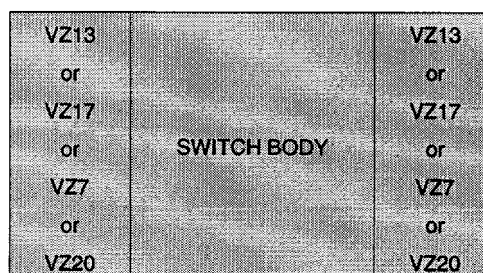
Main pole may be fitted either side next to switch body.

Switch types V5 and V6

Two attachments may be fitted, selected from Neutral pole module VZ-13, earthing module VZ-16 and an auxiliary contact module.

When fitting 2 attachments, always fit one on each side of the switch body.

Two attachments maximum.



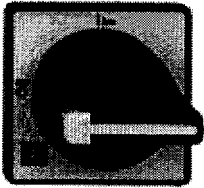
Protection components

VARIO rotary switch disconnectors, 12 to 175 A
 Components for customer assembly
 Operators, handles and front plates

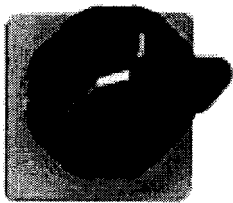
References

Handles and front plates for main and emergency stop switch disconnectors

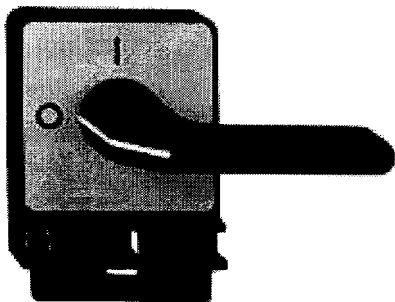
| Rating of switch body | Operator | | Degree of protection | Marking | Reference | Weight |
|-----------------------|---|---|----------------------|-----------|-----------|--------------------------|
| | Red handle | Yellow front plate Dimensions Fixing | | | | |
| mm | | | | | | |
| 12 to 40 A | Padlockable with 1 padlock (2) | 45 x 45 | Ø 22.5 | IP 65 | | KCC-1YZ 0.050 |
| | | | 4 screws | IP 40 (3) | | KCE-1YZ 0.040 |
| | Padlockable with up to 3 padlocks (2) | 60 x 60 | Ø 22.5 | IP 65 | | KCD-1YZ 0.075 |
| | | | 4 screws | IP 40 (3) | | KCF-1YZ 0.060 |
| | Padlockable with up to 3 padlocks (2) | 60 x 60 | 4 screws | IP 65 | | KCF-1PZ 0.075 |
| | | | 4 screws | IP 40 (3) | | KCF-2YZ 0.070 |
| 63 and 80 A | Padlockable with up to 3 padlocks (2) | 60 x 60 | 4 screws | IP 65 | | KCF-2PZ 0.070 |
| | | | 4 screws | IP 40 (3) | | KCG-2YZ (1) 0.100 |
| 125 and 175 A | Cross type, padlockable with up to 3 padlocks (2) | 90 x 128 | 4 screws | IP 40 (3) | | KCH-2TZ 0.260 |



KCF-1PZ



KCF-2YZ



KCH-2TZ

(1) For direct control by this handle, order adaptor plate KZ-106, see page 1/141.

(2) Padlocks not supplied.

(3) Sealing kit available to give IP 65 degree of protection - see page 1/141.

Protection components

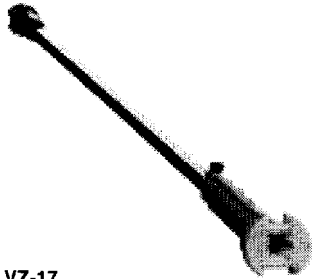
VARIO switch disconnectors, 12 to 175 A
Components for customer assembly
Accessories

References

Components for door interlocking

For rear mounted switches

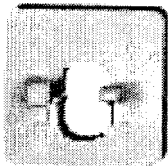
| Description | For use with ratings A | Distance (e) encl. back/door mm | Sold in lots of | Unit reference | Weight kg |
|-----------------------------|----------------------------------|---|-----------------|----------------|--------------|
| Shaft extension | 12...40 | 300...330 | 1 | VZ-17 | 0.075 |
| | | 400...430 | 1 | VZ-30 | 0.125 |
| | 63...80 | 300...320 | 1 | VZ-18 | 0.170 |
| | | 400...420 | 1 | VZ-31 | 0.215 |
| | 125 and 175 | 330...350 | 1 | VZ-18 | 0.170 |
| | | 430...450 | 1 | VZ-31 | 0.215 |
| Door interlock plate | 12...40 | – | 5 | KZ-32 | 0.020 |
| | 63...175 | – | 5 | KZ-74 | 0.020 |



VZ-17

Accessories for handle assemblies

| Description | Application | | Sold in lots of | Unit reference | Weight kg |
|---|---|-------------------------|-----------------|----------------|--------------|
| Legend bearer with silver coloured blank legend plate | For use with operator size | 45 x 45 | 5 | KZ-13 | 0.060 |
| | | 60 x 60 | 5 | KZ-15 | 0.065 |
| | | 90 x 90 | 5 | KZ-103 | 0.070 |
| Legend bearer without legend plate | For use with operator size | 45 x 45 | 20 | KZ-14 | 0.060 |
| | | 60 x 60 | 10 | KZ-16 | 0.065 |
| | | 90 x 90 | 5 | KZ-101 | 0.070 |
| Silver coloured blank legend plate for engraving by customer | For use with bearer ref. | KZ-14 | 20 | KZ-76 | 0.020 |
| | | KZ-16 | 10 | KZ-77 | 0.010 |
| | | KZ-101 | 5 | KZ-100 | 0.005 |
| Blank legend plate for engraving by customer | For front plate 45 x 45 | Black | 20 | KZ-17 | 0.030 |
| | | Silver | 20 | KZ-18 | 0.030 |
| | | Yellow | 10 | KZ-19 | 0.015 |
| | For front plate 60 x 60 | Black | 20 | KZ-20 | 0.040 |
| | | Silver | 20 | KZ-21 | 0.040 |
| | | Yellow | 1 | KZ-22 | 0.040 |
| | For front plate 90 x 90 | Black | 20 | KZ-23 | 0.040 |
| | | Silver | 20 | KZ-24 | 0.040 |
| | | Yellow | 1 | KZ-25 | 0.040 |
| Adaptor plate for 63 and 80 A switch disconnectors | For front mounting of 90 x 90 handle assembly | | 5 | KZ-106 | 0.075 |
| IP 65 sealing kit for IP 40 operator | 45 x 45 | Switch rating 12...40 A | 2 | KZ-80 | 0.005 |
| | | 60 x 60 | 12...40 A | 2 | KZ-83 |
| | | 63...80 A | 2 | KZ-81 | 0.010 |
| | 90 x 90 | 63...175 A | 2 | KZ-82 | 0.015 |
| Tightening tool | For control units with Ø 22.5 fixing | | 5 | Z01 | 0.050 |



KZ-32

Input terminal protection shrouds

| | Switch rating | | | | |
|---|---------------|---|--------------|-------|--|
| For switch bodies (3-pole shroud) | 12...40 A | 1 | VZ-8 | 0.015 | |
| | 63...80 A | 1 | VZ-9 | 0.020 | |
| | 125 and 175 A | 1 | VZ-10 | 0.060 | |
| For add-on pole modules (single-pole shroud) | 12 to 40 A | 1 | VZ-26 | 0.005 | |
| | 63 and 80 A | 1 | VZ-27 | 0.007 | |
| | 125 and 175 A | 1 | VZ-28 | 0.020 | |
| For contact block with 2 auxiliary contacts | – | 1 | VZ-29 | 0.005 | |



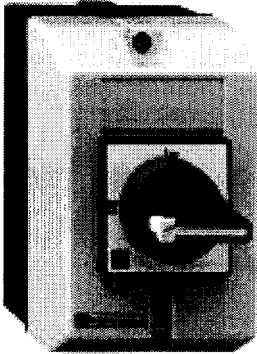
VZ-8

Protection components

VARIO switch disconnectors, 10 to 140 A

References, dimensions, schemes

References :
pages 1/136 to 1/142

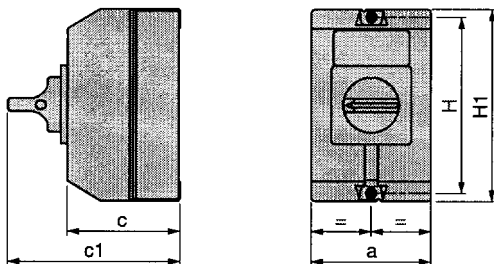


VCF-00GE

Enclosed main and emergency stop switch disconnectors

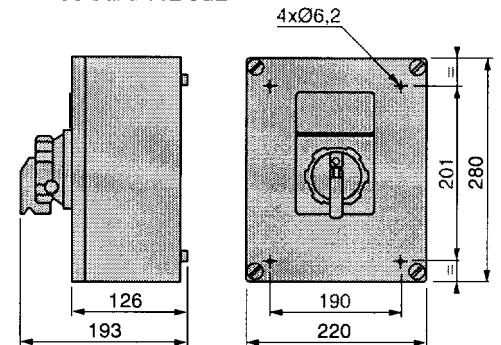
| Operator | Yellow front plate | lthe | Power | Possible | Reference | Weight | |
|--|--------------------|---------|----------|------------|-----------|-----------------|-------|
| Red handle | Dimensions | Marking | AC-23 | attachment | | | |
| | mm | A | at 400 V | | | kg | |
| | | | kw | | | | |
| Padlockable With up to 3 padlocks (padlocks not supplied) | 60 x 60 | | 10 | 4 | (2) | VCF-02GE | 0.500 |
| | | | 16 | 5.5 | (2) | VCF-01GE | 0.500 |
| | | | 20 | 7.5 | (2) | VCF-00GE | 0.500 |
| | | | 25 | 11 | (2) | VCF-1GE | 0.500 |
| | | | 32 | 15 | (2) | VCF-2GE | 0.500 |
| | | | 50 | 22 | (3) | VCF-3GE | 0.930 |
| Cross type, padlockable with up to 3 padlocks (padlocks not supplied) | 91 x 128 | | 100 | 37 | (4) | VCZ-5GE | 2.190 |
| | | | 140 | 45 | (4) | VCZ-6GE | 2.190 |
| | | | | | | | |

Enclosures V0F-02GE to V0F-4GE V0FX-GE1 and VCFX-GE2



| | V0F-02GE to V0F-2GE V0FX-GE1 | V0F-3GE and V0F-4GE VCFX-GE2 |
|----|------------------------------------|------------------------------------|
| a | 90 | 150 |
| c | 85 | 106 |
| c1 | 131 | 152 |
| H | 130 | 154 |
| H1 | 146 | 170 |

V0Z-5GE and V0Z-6GE



Protection components

Load break switch-disconnectors, type LK3, 40 to 1250 A
3 and 4-pole

References

Dimensions :
page 1/145

Switch-disconnector kits (1)

| Marking | Thermal rating I _{th} A | Motor switching F.L.C rating AC-22 A (400 V) A | AC-23 A rating (400 V) A | No. of poles (S.N. = solid neutral) | Reference | Weight kg |
|---------|--|---|-----------------------------------|---|-----------|--------------|
| 0 V | 40 | 40 | 40 | 3 | LK3-AP30 | 0.535 |
| | | | | 4 | LK3-AP40 | 0.555 |
| | 63 | 63 | 50 | 3 | LK3-AR30 | 0.535 |
| | | | | 4 | LK3-AR40 | 0.555 |
| | 80 | 80 | 63 | 3 | LK3-AT30 | 0.580 |
| | | | | 4 | LK3-AT40 | 0.620 |
| 125 | 100 | 80 | 3 | LK31-AT30 | 0.580 | |
| | | | 4 | LK31-AT40 | 0.620 | |
| 1 0 | 160 | 160 | 125 | 3 | LK31-BC30 | 1.895 |
| | | | | 4 | LK31-BC40 | 2.105 |
| | | | | 3 + S.N. | LK31-BC50 | 2.005 |
| | 250 | 250 | 250 | 3 | LK31-BG30 | 2.810 |
| | | | | 4 | LK31-BG40 | 2.925 |
| | | | | 3 + S.N. | LK31-BG50 | 2.925 |
| 315 | 315 | 315 | 3 | LK31-BJ30 | 4.305 | |
| | | | 4 | LK31-BJ40 | 5.075 | |
| | | | 3 + S.N. | LK31-BJ50 | 4.975 | |
| 400 | 400 | 400 | 3 | LK31-BN30 | 4.305 | |
| | | | 4 | LK31-BN40 | 5.075 | |
| | | | 3 + S.N. | LK31-BN50 | 4.975 | |
| 630 | 630 | 400 | 3 | LK31-BS30 | 4.475 | |
| | | | 4 | LK31-BS40 | 5.395 | |
| | | | 3 + S.N. | LK31-BS50 | 5.195 | |
| 1 1 | 800 | 800 | 800 | 3 | LK3-BV30 | 9.370 |
| | | | | 4 | LK3-BV40 | 10.990 |
| 1250 | 1250 | 1000 | 3 | LK3-CD30 | 11.720 | |
| | | | 4 | LK3-CD40 | 14.600 | |

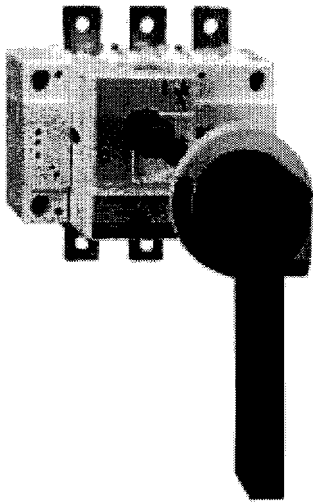
(1) The kit references indicated above comprise : switch-disconnector body, shaft extension (200 mm), door interlock, power terminal screen, red padlockable handle (single sided for LK3-AP/AR/AT and LK31-AT/BC/BG/BJ/BN/BS, double sided for LK3-BV/CD) and escutcheon plate (black inscription on yellow background).

Auxiliary contacts

| Description | For switch-disconnectors type | Reference | Weight kg |
|---|----------------------------------|------------|--------------|
| First auxiliary contact for signalling applications 1 N/O + 1 N/C | LK3-AP/AR/AT and LK31-AT | LA8-SATA1 | 0.020 |
| | LK31-BC/BG/BJ/BN/BS | LA81-SBPA1 | 0.020 |
| | LK3-BV/CD | LA8-SBPA1 | 0.020 |
| Second auxiliary contact for signalling applications 1 N/O + 1 N/C | LK3-AP/AR/AT and LK31-AT | LA8-ZATA2 | 0.020 |
| | LK31-BC/BG/BJ/BN/BS | LA81-ZBPA2 | 0.020 |
| | LK3-BV/CD | LA8-ZBPA2 | 0.020 |

Other versions

Changeover and mechanically interlocked switch-disconnectors.
For further information please consult your Regional customer centre.



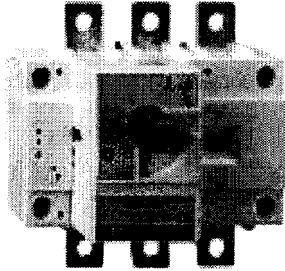
LK31-BC

Protection components

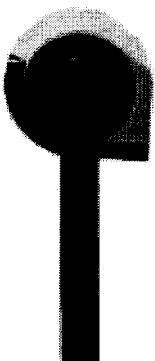
Load break switch-disconnectors, type LK3, 40 to 1250 A
3 and 4-pole

References

Dimensions :
page 1/147



LK31-BC3



LA8-ZBPD8

Switch-disconnector bodies

| For switch-disconnectors type | Reference | Weight kg |
|-------------------------------|-----------|-----------|
| 40 to 80 A | | |
| LK3-AP30 | LK3-AP3 | 0.300 |
| LK3-AP40 | LK3-AP4 | 0.320 |
| LK3-AR30 | LK3-AR3 | 0.300 |
| LK3-AR40 | LK3-AR4 | 0.320 |
| LK3-AT30 | LK3-AT3 | 0.330 |
| LK3-AT40 | LK3-AT4 | 0.370 |
| 125 to 630 A | | |
| LK31-AT30 | LK31-AT3 | 0.330 |
| LK31-AT40 | LK31-AT4 | 0.370 |
| LK31-BC30 | LK31-BC3 | 1.100 |
| LK31-BC40 | LK31-BC4 | 1.300 |
| LK31-BC50 | LK31-BC5 | 1.200 |
| LK31-BG30 | LK31-BG3 | 2.000 |
| LK31-BG40 | LK31-BG4 | 2.100 |
| LK31-BG50 | LK31-BG5 | 2.100 |
| LK31-BJ30 | LK31-BJ3 | 3.430 |
| LK31-BJ40 | LK31-BJ4 | 4.180 |
| LK31-BJ50 | LK31-BJ5 | 4.080 |
| LK31-BN30 | LK31-BN3 | 3.430 |
| LK31-BN40 | LK31-BN4 | 4.180 |
| LK31-BN50 | LK31-BN5 | 4.080 |
| LK31-BS30 | LK31-BS3 | 3.600 |
| LK31-BS40 | LK31-BS4 | 4.500 |
| LK31-BS50 | LK31-BS5 | 4.300 |
| 800 A | | |
| LK3-BV30 | LK3-BV3 | 8.000 |
| LK3-BV40 | LK3-BV4 | 9.600 |
| 1250 A | | |
| LK3-CD30 | LK3-CD3 | 10.300 |
| LK3-CD40 | LK3-CD4 | 13.150 |

Handles

| | | | | |
|--|--------------|------------------------------|------------|-------|
| Door interlocked handle assemblies Padlockable Red handle | Single sided | For LK3-AP/AR/AT and LK31-AT | LA8-SATD6 | 0.020 |
| | | For LK31-BC/BG/BJ/BN/BS | LA81-ZBPD7 | 0.069 |
| | Double sided | For LK3-BV/CD | LA8-ZBPD8 | 0.470 |
| Direct mounted handle assembly | Single sided | For LK31-BC/BG/BJ/BN/BS | LA81-ZBPD3 | 0.060 |
| | Padlockable | | | |

Protection components

Load break switch-disconnectors, type LK3, 40 to 1250 A
3 and 4-pole

References

Dimensions :
page 1/145

Door interlocks

| Description | For switch-disconnectors type | Reference | Weight kg |
|---------------------|-------------------------------|-----------|-----------|
| Door interlocks (1) | LK3-AP/AR/AT and LK31-AT | LA8-SATE | 0.150 |
| | LK3-BV/CD | LA81-ZBVE | 0.340 |

Shaft extensions

| | | | |
|------------------------|--------------------------|------------|-------|
| 200 mm shaft extension | LK3-AP/AR/AT and LK31-AT | LA8-SATC | 0.065 |
| | LK31-BC/BG/BJ/BN/BS | LA81-ZBPC1 | 0.415 |
| | LK3-BV/CD | LA8-ZBPC2 | 0.415 |
| 320 mm shaft extension | LK31-BC/BG/BJ/BN/BS | LA81-ZBPC2 | 0.625 |

Terminal screens

| | | | |
|------------------|--|-----------|-------|
| Terminal screens | LK3-AT and LK31-AT | LA8-SATB | 0.015 |
| | LK31-BC30 | LA8-SBPB1 | 0.020 |
| | LK31-BC40/BC50 | LA8-SBPB2 | 0.030 |
| | LK31-BG30 | LA8-SBPB3 | 0.035 |
| | LK31-BG40/BG50 | LA8-SBPB4 | 0.050 |
| | LK31-BJ30/BN30/BS30 | LA8-SBPB5 | 0.100 |
| | LK31-BJ40/BJ50/BN40/BN50/ BS40/BS50 | LA8-SBPB6 | 0.120 |
| | LK3-BV30 | LA8-SBPB7 | 0.145 |
| | LK3-BV40 | LA8-SBPB8 | 0.165 |
| | LK3-CD30 | LA8-SBPB9 | 0.195 |
| LK3-CD40 | LA8-SBPB10 | 0.225 | |

Terminal shrouds

| | | | |
|------------------------|--|------------|-------|
| Terminal shrouds IP 2X | LK3-AT and LK31-AT | LA81-SATB | 0.015 |
| | LK31-BC30 | LA81-SBPB1 | 0.020 |
| | LK31-BC40/BC50 | LA81-SBPB2 | 0.030 |
| | LK31-BG30 | LA81-SBPB3 | 0.035 |
| | LK31-BG40/BG50 | LA81-SBPB4 | 0.050 |
| | LK31-BJ30/BN30/BS30 | LA81-SBPB5 | 0.100 |
| | LK31-BJ40/BJ50/BN40/BN50/ BS40/BS50 | LA81-SBPB6 | 0.120 |

Mounting accessory

| | | |
|---------|---------|-----------|
| Spacers | LK31-BC | LK8-ZBPA1 |
| | LK31-BG | LK8-ZBPA2 |

(1) LK31-AT/BC/BG/BJ/BN/BS have the door interlock incorporated in the handle assembly.

Protection components

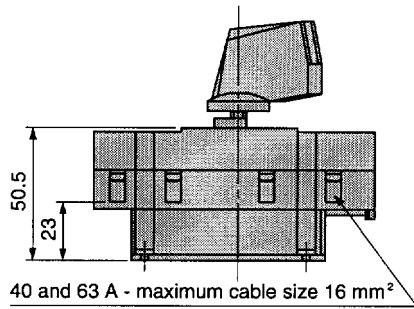
Load break switch-disconnectors, type LK3, 40 - 1250 A

Selection guide for 3 and 4-pole versions
Changeover and mechanically interlocked
switch-disconnectors (6 or 8-pole)

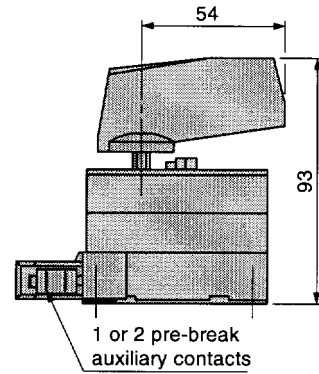
References :
pages 1/144 to 1/145

The 4-pole versions are illustrated : the 3-pole versions have identical dimensions but the left pole is omitted.

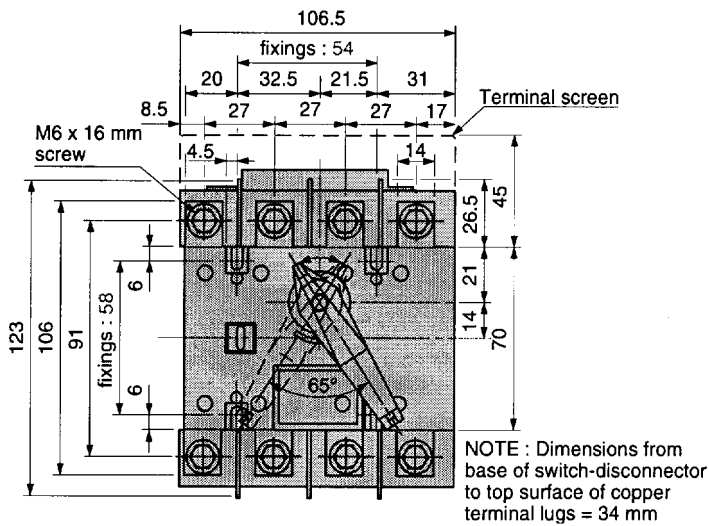
LK3-AP● and LK3-AR●



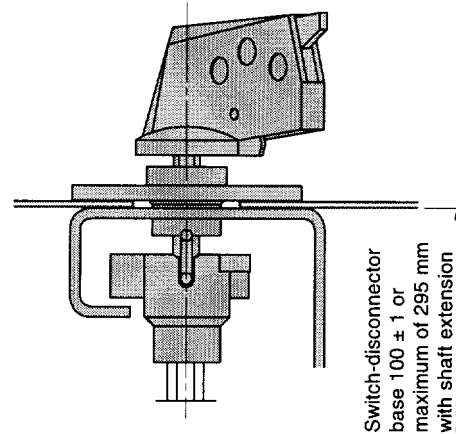
Direct operation



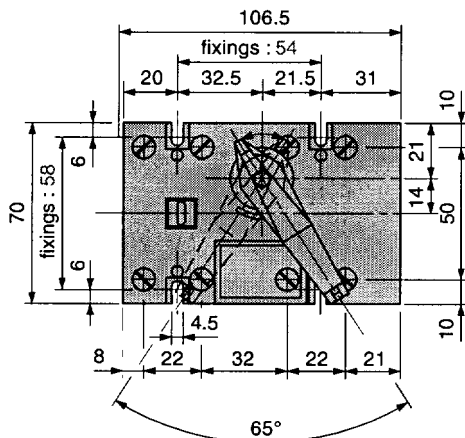
LK3-AT● and LK31-AT●



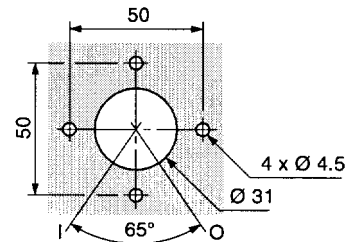
External operation



LK3-AP● and LK3-AR●



Door drilling

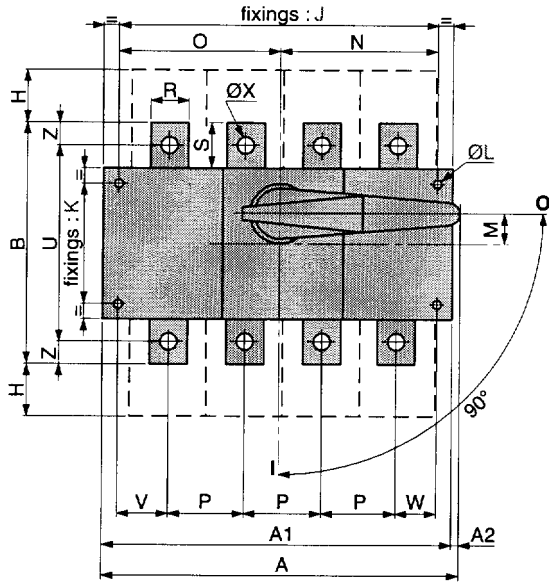


Protection components

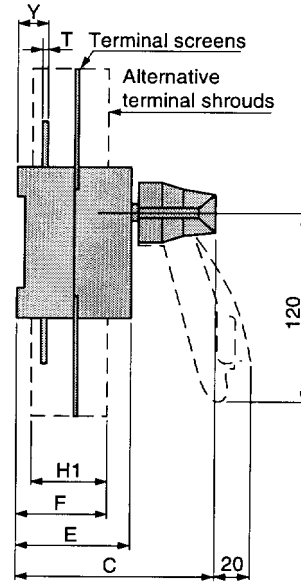
Load break switch-disconnectors, type LK3, 40 - 1250 A

Selection guide for 3 and 4-pole versions
Changeover and mechanically interlocked
switch-disconnectors (6 or 8-pole)

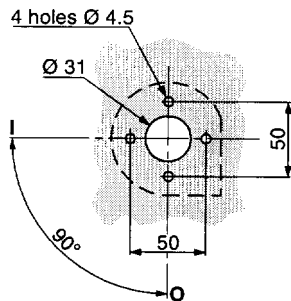
References :
pages 1/144 to 1/145



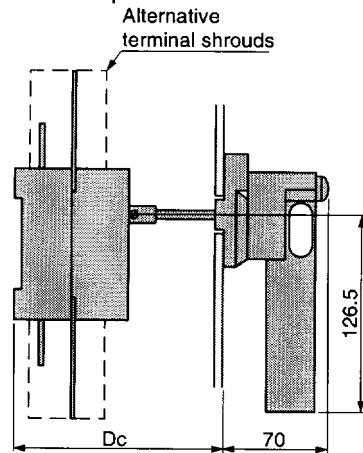
Direct operation



Door drilling



External operation



| LK31- | Rating | A | A1 | A2 | B | C | Dc | E | F | H | H1 | J | K | ØL |
|-------|-----------|-----|-----|----|-----|-----|---------|-----|------|------|----|-----|-----|-----|
| BC30 | 3 x 160 A | 175 | 140 | 35 | 135 | 120 | 93-156 | 65 | 48.5 | 47.5 | 40 | 120 | 65 | 5.5 |
| BC00 | 4 x 160 A | 205 | 170 | 35 | 135 | 120 | 93-156 | 65 | 48.5 | 47.5 | 40 | 150 | 65 | 5.5 |
| BG30 | 3 x 250 A | 185 | 180 | 5 | 160 | 130 | 103-166 | 75 | 58.5 | 60 | 50 | 160 | 80 | 5.5 |
| BG00 | 4 x 250 A | 235 | 230 | 5 | 160 | 130 | 103-166 | 75 | 58.5 | 60 | 50 | 210 | 80 | 5.5 |
| BJ30 | 3 x 315 A | 230 | 230 | - | 235 | 165 | 138-200 | 110 | 83.5 | 82.5 | 75 | 210 | 140 | 7 |
| BJ00 | 4 x 315 A | 290 | 200 | - | 235 | 165 | 138-200 | 110 | 83.5 | 82.5 | 75 | 270 | 140 | 7 |
| BN30 | 3 x 400 A | 230 | 230 | - | 235 | 165 | 138-200 | 110 | 83.5 | 82.5 | 75 | 210 | 140 | 7 |
| BN00 | 4 x 400 A | 290 | 290 | - | 235 | 165 | 138-200 | 110 | 83.5 | 82.5 | 75 | 270 | 140 | 7 |
| BS30 | 3 x 630 A | 230 | 230 | - | 260 | 165 | 138-200 | 110 | 83.5 | 70 | 75 | 210 | 140 | 7 |
| BS00 | 4 x 630 A | 290 | 290 | - | 260 | 165 | 138-200 | 110 | 83.5 | 70 | 75 | 270 | 140 | 7 |

| LK31- | Rating | M | N | O | P | R | S | T | U | V | W | ØX | Y | Z |
|-------|-----------|----|-----|-----|----|----|------|-----|-----|------|------|----|------|----|
| BC30 | 3 x 160 A | 15 | 75 | 45 | 36 | 20 | 25 | 3.5 | 115 | 28 | 20 | 9 | 20.5 | 10 |
| BC00 | 4 x 160 A | 15 | 75 | 75 | 36 | 20 | 25 | 3.5 | 115 | 22 | 20 | 9 | 20.5 | 10 |
| BG30 | 3 x 250 A | 20 | 105 | 55 | 50 | 25 | 30 | 3.5 | 130 | 33 | 27 | 11 | 22.5 | 15 |
| BG00 | 4 x 250 A | 20 | 105 | 105 | 50 | 25 | 30 | 3.5 | 130 | 33 | 27 | 11 | 22.5 | 15 |
| BJ30 | 3 x 315 A | 30 | 135 | 75 | 65 | 32 | 37.5 | 5 | 205 | 42.5 | 37.5 | 11 | 36 | 15 |
| BJ00 | 4 x 315 A | 30 | 135 | 135 | 65 | 32 | 37.5 | 5 | 205 | 37.5 | 37.5 | 11 | 36 | 15 |
| BN30 | 3 x 400 A | 30 | 135 | 75 | 65 | 32 | 37.5 | 5 | 205 | 42.5 | 37.5 | 11 | 36 | 15 |
| BN00 | 4 x 400 A | 30 | 135 | 135 | 65 | 32 | 37.5 | 5 | 205 | 37.5 | 37.5 | 11 | 36 | 15 |
| BS30 | 3 x 630 A | 30 | 135 | 75 | 65 | 40 | 50 | 6 | 220 | 42.5 | 37.5 | 13 | 36.5 | 20 |
| BS00 | 4 x 630 A | 30 | 135 | 135 | 65 | 40 | 50 | 6 | 220 | 37.5 | 37.5 | 13 | 36.5 | 20 |

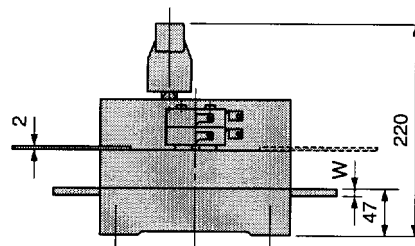
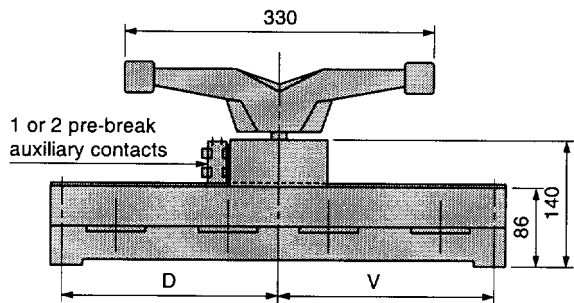
Protection components

Load break switch-disconnectors, type LK3, 40 - 1250 A

Selection guide for 3 and 4-pole versions
Changeover and mechanically interlocked
switch-disconnectors (6 or 8-pole)

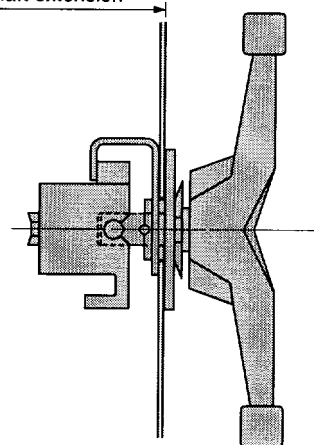
References :
pages 1/144 to 1/145

Direct operation

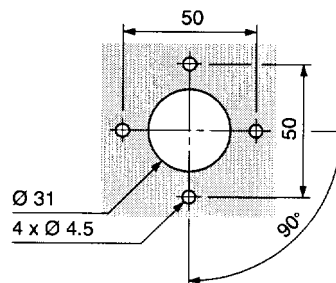


External operation

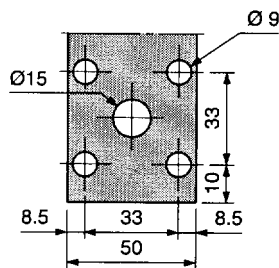
Switch-disconnector
base 212 ± 1 or
maximum of 412 mm
with shaft extension



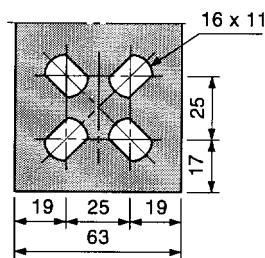
Door drilling



800 A terminal lugs



1250 A terminal lugs



| LK3- | Rating | A | B | C | G | H | J | M | O | P | R | S | U | V | W |
|------|------------|-----|-----|-------|-----|----|-----|----|------|------|-----|----|----|-------|---|
| BV30 | 3 x 800 A | 280 | 320 | 127.5 | 255 | 60 | 80 | 70 | 47.5 | 47.5 | 267 | 50 | 47 | 127.5 | 6 |
| BV40 | 4 x 800 A | 360 | 320 | 167.5 | 335 | 60 | 80 | 70 | 47.5 | 47.5 | 267 | 50 | 47 | 167.5 | 6 |
| CD30 | 3 x 1250 A | 372 | 330 | 173.5 | 347 | 65 | 120 | 65 | 60.5 | 46.5 | 271 | 63 | 47 | 173.5 | 7 |
| CD40 | 4 x 1250 A | 492 | 330 | 233.5 | 467 | 65 | 120 | 65 | 60.5 | 46.5 | 271 | 63 | 47 | 233.5 | 7 |