

Product data sheet

Specifications



Emergency stop push button, Harmony XB7, 22mm, red mushroom 40mm, pull to release, 2NC

XB7NT844

Product availability: Non-Stock - Not normally stocked in distribution facility

Price*: 50.50 USD

Main

Range Of Product	Harmony XB7
Product Or Component Type	Emergency stop push-button
Device Short Name	XB7
Mounting Diamete	0.87 in (22 mm)
Sale Per Indivisible Quantity	10
Shape Of Signaling Unit Head	Round
Type Of Operator	latching
Reset	Push-pull
Operator Profile	Red mushroom Ø 40 mm, unmarked
Contacts Type And Composition	2 NC
Connections - Terminals	Screw clamp terminals, $\leq 2 \times 1.5 \text{ mm}^2$ with cable end IEC 60947-1 Screw clamp terminals, $1 \times 0.34 \dots 2 \times 2.5 \text{ mm}^2$ without cable end IEC 60947-1
Device Presentation	Monolithic product

Complementary

Cad Overall Width	1.57 in (40 mm)
Cad Overall Height	1.57 in (40 mm)
Cad Overall Depth	2.83 in (72 mm)
Terminals Description Iso N°1	(21-22)NC (13-14)NC
Net Weight	0.08 lb(US) (0.035 kg)
Device Mounting	Fixing hole 0.89 in (22.5 mm) 22.3 +0.4/0 IEC 60947-1
Fixing Center	$\geq 30 \times 40 \text{ mm}$ support panel) metal 0.04...0.24 in (1...6 mm) $\geq 30 \times 40 \text{ mm}$ support panel) plastic 0.08...0.24 in (2...6 mm)
Fixing Mode	Fixing nut beneath head 17.70...21.24 lbf.in (2...2.4 N.m)
Contact Operation	Snap action
Contacts Usage	Standard
Positive Opening	With IEC 60947-5-1 appendix K
Mechanical Durability	100000 cycles
Tightening Torque	7.08...10.62 lbf.in (0.8...1.2 N.m) IEC 60947-1

Price is "List Price" and may be subject to a trade discount – check with your local distributor or retailer for actual price.

Shape Of Screw Head	Cross JIS No 1 Cross Philips no 1 Cross pozidriv No 1 Slotted flat Ø 4 mm Slotted flat Ø 5.5 mm
Short-Circuit Protection	4 A cartridge fuse gG IEC 60947-5-1
[Ui] Rated Insulation Voltage	250 V 3)IEC 60947-1
[Uimp] Rated Impulse Withstand Voltage	4 kV IEC 60947-1
[Ie] Rated Operational Current	0.1 A 250 V, DC-13, R300 IEC 60947-5-1 0.22 A 125 V, DC-13, R300 IEC 60947-5-1 0.75 A 240 V, AC-15, C300 IEC 60947-5-1 1.5 A 120 V, AC-15, C300 IEC 60947-5-1
Electrical Durability	1000000 cycles, DC-13, 0.3 A 24 V 216000 cyc/mn 0.5 IEC 60947-5-1 appendix C 1000000 cycles, AC-15, 0.03 A 230 V 216000 cyc/mn 0.5 IEC 60947-5-1 appendix C 1000000 cycles, AC-15, 0.09 A 240 V 108000 cyc/mn 0.5 IEC 60947-5-1 appendix C
Electrical Reliability	$\Lambda < 5 \times 10^{\exp(-7)}$ 17 V 5 mA IEC 60947-5-4

Environment

Protective Treatment	TH
Ambient Air Temperature For Storage	-40...158 °F (-40...70 °C)
Ambient Air Temperature For Operation	-13...158 °F (-25...70 °C)
Electrical Shock Protection Class	Class II IEC 60536
Ip Degree Of Protection	IP20 IEC 60529 rear face) IP65 IEC 60529 front face)
Nema Degree Of Protection	NEMA 12 UL 50 NEMA 3 UL 50
Standards	CSA C22.2 No 14 ISO 13850 IEC 60947-5-5 UL 508 IEC 60947-5-1 IEC 60204-1 IEC 60364-5-53 IEC 60947-1
Product Certifications	GOST CCC
Vibration Resistance	5 gn 2...500 Hz)IEC 60068-2-6
Shock Resistance	15 gn 11 ms) half sine wave acceleration IEC 60068-2-27

Ordering and shipping details

Category	US10CS222464
Discount Schedule	0CS2
Gtin	3606480465628
Returnability	No
Country Of Origin	US

Packing Units

Unit Type Of Package 1	PCE
Number Of Units In Package 1	1
Package 1 Height	5.91 in (15.0 cm)

Package 1 Width	3.15 in (8.0 cm)
Package 1 Length	5.91 in (15.0 cm)
Package 1 Weight	1.59 oz (45.0 g)
Unit Type Of Package 2	BAG
Number Of Units In Package 2	10
Package 2 Height	3.15 in (8.0 cm)
Package 2 Width	5.91 in (15.0 cm)
Package 2 Length	5.91 in (15.0 cm)
Package 2 Weight	15.94 oz (452.0 g)
Unit Type Of Package 3	S01
Number Of Units In Package 3	50
Package 3 Height	5.91 in (15 cm)
Package 3 Width	5.91 in (15 cm)
Package 3 Length	15.75 in (40 cm)
Package 3 Weight	5.52 lb(US) (2.504 kg)

Contractual warranty

Warranty	18 months
-----------------	-----------

Sustainability

Green Premium™ label is Schneider Electric's commitment to delivering products with best-in-class environmental performance. Green Premium promises compliance with the latest regulations, transparency on environmental impacts, as well as circular and low-CO₂ products.

Guide to assessing product sustainability is a white paper that clarifies global eco-label standards and how to interpret environmental declarations.

[Learn more about Green Premium >](#)

[Guide to assess a product's sustainability >](#)



Transparency RoHS/REACH

Well-being performance

Reach Free Of Svhc

Toxic Heavy Metal Free

Mercury Free

Rohs Exemption Information Yes

Certifications & Standards

Reach Regulation

[REACH Declaration](#)

Eu Rohs Directive

Pro-active compliance (Product out of EU RoHS legal scope)

[EU RoHS Declaration](#)

China Rohs Regulation

[China RoHS declaration](#)

Environmental Disclosure

[Product Environmental Profile](#)

Weee

The product must be disposed on European Union markets following specific waste collection and never end up in rubbish bins.

Circularity Profile

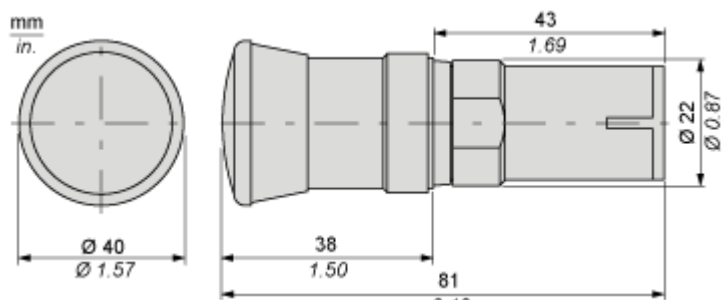
[End of Life Information](#)

California Proposition 65

WARNING: This product can expose you to chemicals including: Di-isodecyl phthalate (DIDP), which is known to the State of California to cause birth defects or other reproductive harm. For more information go to www.P65Warnings.ca.gov

Dimensions Drawings

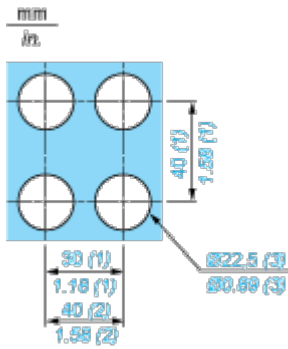
Non-illuminated Pushbutton



Mounting and Clearance

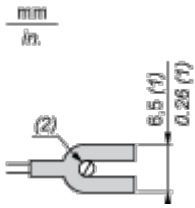
Mounting

Diameter of Finished Fixing Holes



- (1) Minimum value.
- (2) 40 mm/1.58 in. for Emergency switching off pushbutton only.
- (3) Standard value: \varnothing 22.3 (0; + 0.4) mm/ \varnothing 0.88 (0; + 0.02) in.

“U” Type Tag Connection



- (1) 6.5 mm/0.26 in. recommended, 7 mm/0.28 in. max.
- (2) M3 screw clamp terminal.

Connections and Schema

Wiring

